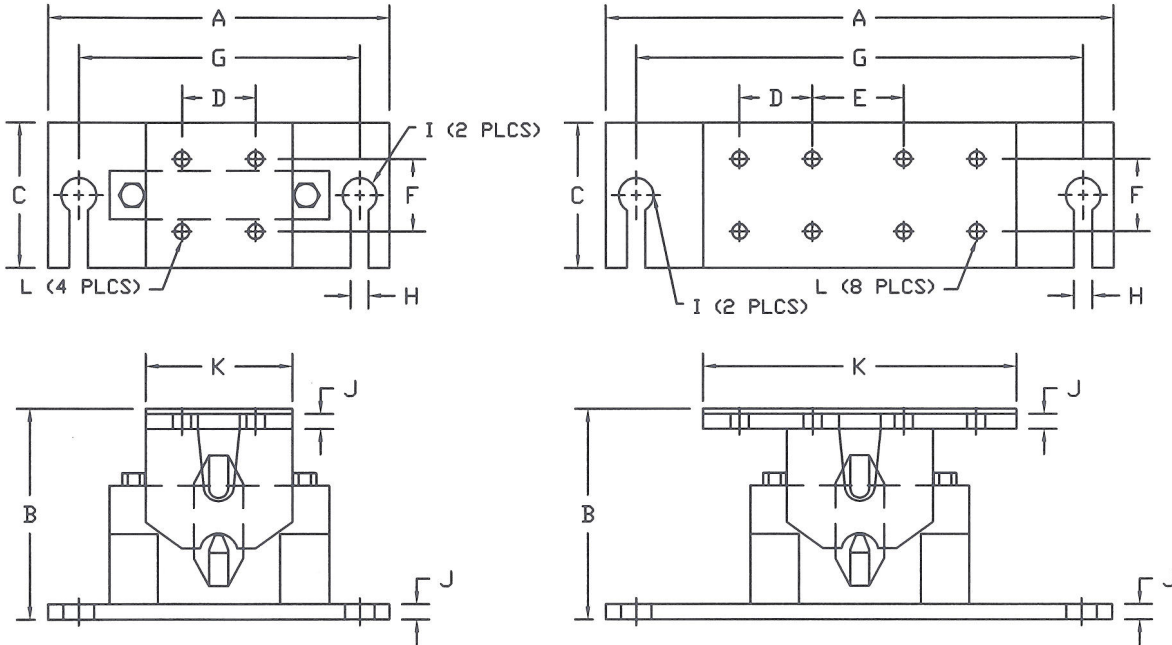


REVISIONS							
ZONE	LTR.	DESCRIPTION	DATE	ECN	BY	CKD	APVD
-	-	INITIAL RELEASE	10/01/08	-	-	-	-



- PERFORMANCE SPECIFICATIONS:**
1. CAPACITIES: 10K, 20K, 25K, 50K, 60K, & 75K LB
 2. SAFE OVERLOAD: 150% FS
 3. FULL SCALE OUTPUT: 3.00 mV/V
 4. EXCITATION VOLTAGE: 10-15V AC/DC
 5. LOAD CELL RESISTANCE: 700 OHMS
 6. LOAD CELL CABLE: 4 CONDUCTOR, 50 FT (BRAIDED SHIELD)
 7. OPERATING TEMPERATURE RANGE: -20°C - +60°C
 8. MATERIAL
 LOAD CELL: ALLOY STEEL (NICKEL PLATED) OR STAINLESS STEEL
 ASSEMBLY: MILD STEEL

RATED CAPACITY	DIMENSIONS											
	A	B	C	D	E	F	G	H	I	J	K	L
10K-25K	14.00	8.75	6.00	3.00	-	3.00	11.00	0.88	1.75	0.62	6.00	5/8-11UNC
50K-75K	18.00	11.00	7.00	3.00	4.00	3.50	14.00	1.10	2.00	0.75	12.75	1-8UNC

"DO NOT ALTER WITHOUT AGENCY NOTIFICATION"

COTI GLOBAL SENSORS, INC.

**CG-TSA
TANK MOUNT**

	THIS DRAWING USES THIRD ANGLE PROJECTION	APPROVALS	DATE	
	THIS DOCUMENT CONTAINS PROPRIETARY INFORMATION AND SUCH INFORMATION MAY NOT BE REPRODUCED OR DISCLOSED FOR ANY PURPOSE OR USED TO PRODUCE THE ARTICLE OR SUBJECT WITHOUT WRITTEN PERMISSION FROM COTI GLOBAL SENSORS, INC.	TOLERANCES UNLESS OTHERWISE SPECIFIED: XX±.01	DRAWN: MTSI	10/01/08
		FRACTIONS-1/16" ANGLES: ±1/2"	CHECKED: MB	10/01/08
		ENGINEER: AA	10/01/08	
APPROVED: AA	10/01/08	MATERIAL	SEE NOTES	

SCALE	SIZE	PART/DRAWING NO.	REV.
NONE	B	DOD-CG-TSA	-
MODEL	CG-TSA	SHEET	1 OF 1