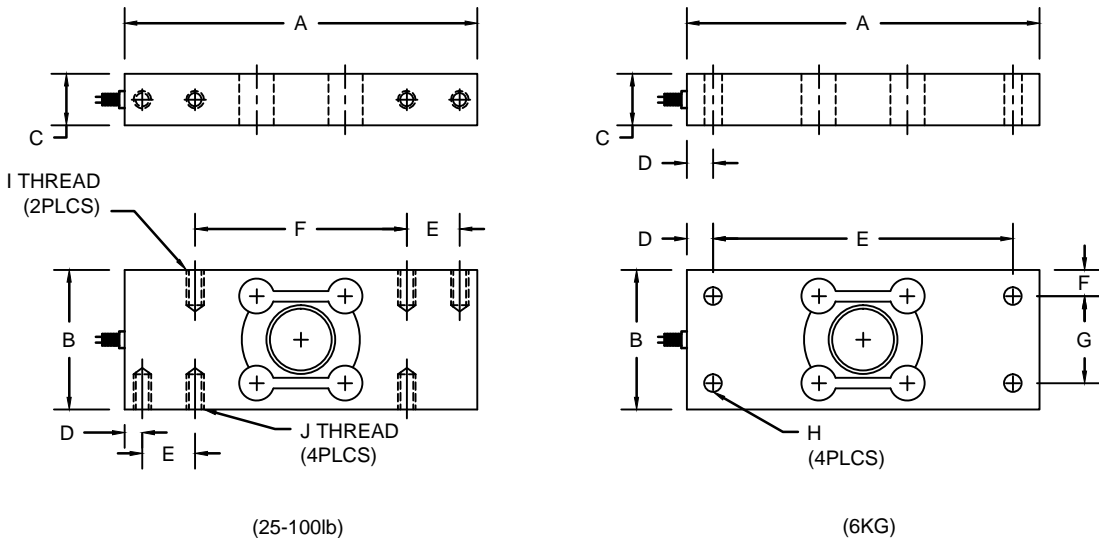


REVISIONS							
ZONE	LTR.	DESCRIPTION	DATE	ECN	BY	CKD	APVD
-	-	INITIAL RELEASE	10/01/08	-	-	-	-
-	-	EDIT DIMENSION TABLE	9/08/09	-	-	-	-
-	C	REDRAWN FOR LABELING CONSISTENCY	10/20/15	2016-41	TB	AB	AA



- PERFORMANCE SPECIFICATIONS:**
- CAPACITIES: 6KG, 25LB, 50LB, & 100LB
 - RATED OUTPUT: 2.00 mV/V ±10% (6KG)
3.00 mV/V ±10% (25LB, 50LB, 100LB)
 - SAFE OVERLOAD: 150% FS
 - EXCITATION VOLTAGE: 10-20V AC/DC
 - INPUT RESISTANCE: 385 ±10 OHMS
 - OUTPUT RESISTANCE: 350 ±3 OHMS
 - ZERO BALANCE: ±1.00% FS
 - SEAL TYPE: ENVIRONMENTALLY SEALED, IP67
 - NON-LINEARITY: ±0.03% FS
 - HYSTERESIS: ±0.02% FS
 - REPEATABILITY: ±0.02% FS
 - CREEP: ±0.03% FS
 - COMPENSATED TEMPERATURE RANGE: -10°C - +40°C
 - TEMPERATURE EFFECT ON ZERO: ±0.02%FS/°C
 - TEMPERATURE EFFECT ON OUTPUT: ±0.001%FS/°C
 - INSULATION RESISTANCE: >5000 MEGOHMS
 - LOAD CELL CABLE: 4 CONDUCTOR, 10 FT
 - LOAD CELL WIRING:
GREEN +EXC
BLACK -EXC
WHITE +SIG
RED -SIG
BRAID/YELLOW: SHIELD
 - FM APPROVED
 - MAX PLATFORM SIZE: 254 X 254 mm

RATED CAPACITY	DIMENSIONS									
	A	B	C	D	E	F	G	H	I	J
6KG	5.00	1.98	0.73	0.37	4.25	0.37	1.25	0.25	-	-
25LB-50LB	5.00	1.98	0.73	0.25	0.75	3.00	-	-	10-24UNCx0.35dp	1/4-20UNCx0.35dp
100LB	5.00	1.98	0.94	0.25	0.75	3.00	-	-	10-24UNCx0.35dp	1/4-20UNCx0.35dp

"DO NOT ALTER WITHOUT AGENCY NOTIFICATION"

COTI GLOBAL SENSORS, INC.

CG-HPS SINGLE POINT LOAD CELL

	THIS DRAWING USES THIRD ANGLE PROJECTION	APPROVALS	DATE
	<small>THIS DOCUMENT CONTAINS PROPRIETARY INFORMATION AND SUCH INFORMATION MAY NOT BE REPRODUCED OR DISCLOSED FOR ANY PURPOSE OR USED TO PRODUCE THE ARTICLE OR SUBJECT WITHOUT WRITTEN PERMISSION FROM COTI GLOBAL SENSORS, INC.</small>	DRAWN: DH	9/08/09
		CHECKED: MB	9/08/09
		ENGINEER: DH	9/08/09
<small>TOLERANCES UNLESS OTHERWISE SPECIFIED XX±.01 .XXX±.005 FRACTIONS±1/16" ANGLES: ±1/2°</small>	APPROVED: AA	9/08/09	
	MATERIAL	STAINLESS STEEL	

SCALE	SIZE	PART/DRAWING NO.	REV.
NONE	B	DOD-CG-HPS	C
MODEL	CG-HPS	SHEET 1 OF 1	