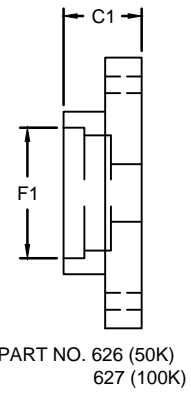
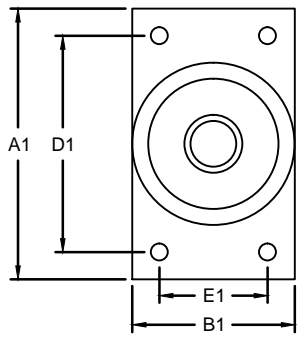
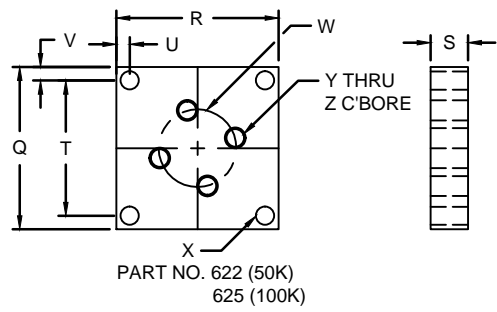
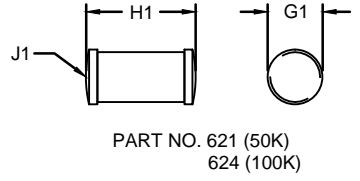
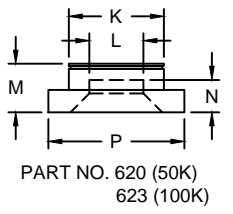
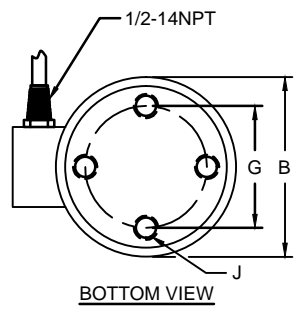
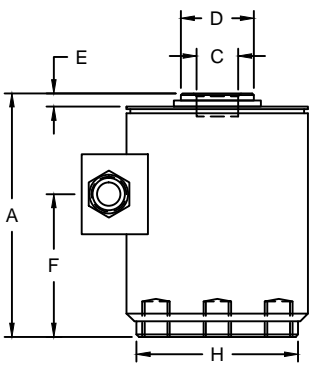


ZONE		REVISIONS			BY		CKD		APVD	
LTR.	DESCRIPTION	DATE	ECN	BY	CKD	APVD				
-	C	REDRAWN FOR LABELING CONSISTENCY	05/07/15	2015-30	RLU	JSP	AA			

- PERFORMANCE SPECIFICATIONS:**
- CAPACITIES: 50K, 100K, (LB).
  - RATED OUTPUT: 2.00 mV/V ±0.25%.
  - SAFE OVERLOAD: 150% FS.
  - EXCITATION VOLTAGE: 10V AC/DC (15V MAX).
  - INPUT RESISTANCE: 820 ±10Ω.
  - OUTPUT RESISTANCE: 775 ±5Ω.
  - ZERO BALANCE: ±1.00% FS.
  - SEAL TYPE: HERMETICALLY SEALED IP67.
  - NON-LINEARITY: ±0.05% FS.
  - HYSTERESIS: ±0.03% FS.
  - REPEATABILITY: ±0.01% FS.
  - CREEP: ±0.03% FS IN 30 MINUTES.
  - COMPENSATED TEMPERATURE RANGE: -10°C TO +40°C.
  - TEMPERATURE EFFECT ON ZERO: ±0.0027% FS/°C.
  - TEMPERATURE EFFECT ON OUTPUT: ±0.0015% FS/°C.
  - INSULATION RESISTANCE: 5000 MEGOHMS.
  - LOAD CELL CABLE: 6-24AWG, Ø6.0MM, PVC, 50FT.
  - LOAD CELL WIRING:
    - WHT (+EXC)
    - BLU (-EXC)
    - GRN (+SIG)
    - BLK (-SIG)
    - YELLOW (+SENSE)
    - RED (-SENSE)
    - BRAIDED/BARE: SHEILD
  19. FM APPROVED.



ACCESSORIES	DIMENSIONS																							
	K	L	M	N	P	Q	R	S	T	U	V	W	X	Y	Z	A1	B1	C1	D1	E1	F1	G1	H1	J1
620-50K CAP	2.47	1.02	1.25	0.80	3.75	-	-	-	-	-	-	-	-	-	-	-	-	-	-	-	-	-	-	-
621-50K PIN	-	-	-	-	-	-	-	-	-	-	-	-	-	-	-	-	-	-	-	-	-	0.98	1.81	12.00
622-50K BASE	-	-	-	-	-	6.00	6.00	2.00	4.00	1.00	1.00	3.00	0.70	0.70	1.20x0.75▼	-	-	-	-	-	-	-	-	-
623-100K CAP	2.70	1.50	1.25	0.55	3.75	-	-	-	-	-	-	-	-	-	-	-	-	-	-	-	-	-	-	-
624-100K PIN	-	-	-	-	-	-	-	-	-	-	-	-	-	-	-	-	-	-	-	-	-	1.45	2.75	15.75
625-100K BASE	-	-	-	-	-	8.00	8.00	2.00	6.00	1.00	1.00	4.00	0.82	0.82	1.25x1.00▼	-	-	-	-	-	-	-	-	-
626-50K UPPER CAST	-	-	-	-	-	-	-	-	-	-	-	-	-	-	-	10.00	6.00	2.13	7.50	4.00	4.82	-	-	-
627-100K UPPER CAST	-	-	-	-	-	-	-	-	-	-	-	-	-	-	-	12.50	7.63	3.50	10.00	5.50	6.32	-	-	-

RATED CAPACITY	DIMENSIONS									
	A	B	C	D	E	F	G	H	J	
50K	6.00	4.50	1.03	1.80	0.15	3.54	3.00	3.98	5/8-18 UNF x0.50 ▼	
100K	8.12	6.00	1.53	2.28	0.56	4.75	4.00	5.47	3/4-16 UNF x0.75 ▼	

DO NOT ALTER WITHOUT AGENCY NOTIFICATION

COTI GLOBAL SENSORS, INC.

CG-CC22  
CANISTER LOAD CELL

	APPROVALS	DATE	SCALE SIZE PART/DRAWING NO. REV. NONE B DOD-CG-CC22 C MODEL CG-CC22 SHEET 1 OF 1
	DRAWN: RLU	05/07/15	
	CHECKED: AA	05/07/15	
	ENGINEER: JSP	05/07/15	
APPROVED: AA	05/07/15		
MATERIAL: STAINLESS STEEL			
FINISH: PASSIVATED			

THIS DOCUMENT CONTAINS PROPRIETARY INFORMATION AND SUCH INFORMATION MAY NOT BE REPRODUCED OR DISCLOSED FOR ANY PURPOSE OR USED TO PRODUCE THE ARTICLE OR SUBJECT WITHOUT WRITTEN PERMISSION FROM COTI GLOBAL SENSORS, INC.

TOLERANCES UNLESS OTHERWISE SPECIFIED  
 .XX = ±0.02"  
 .XXX = ±0.005"  
 .XXXX = ±0.0002"  
 FRACTIONS: ±1/16"  
 ANGLES: DEC: ±1/8"