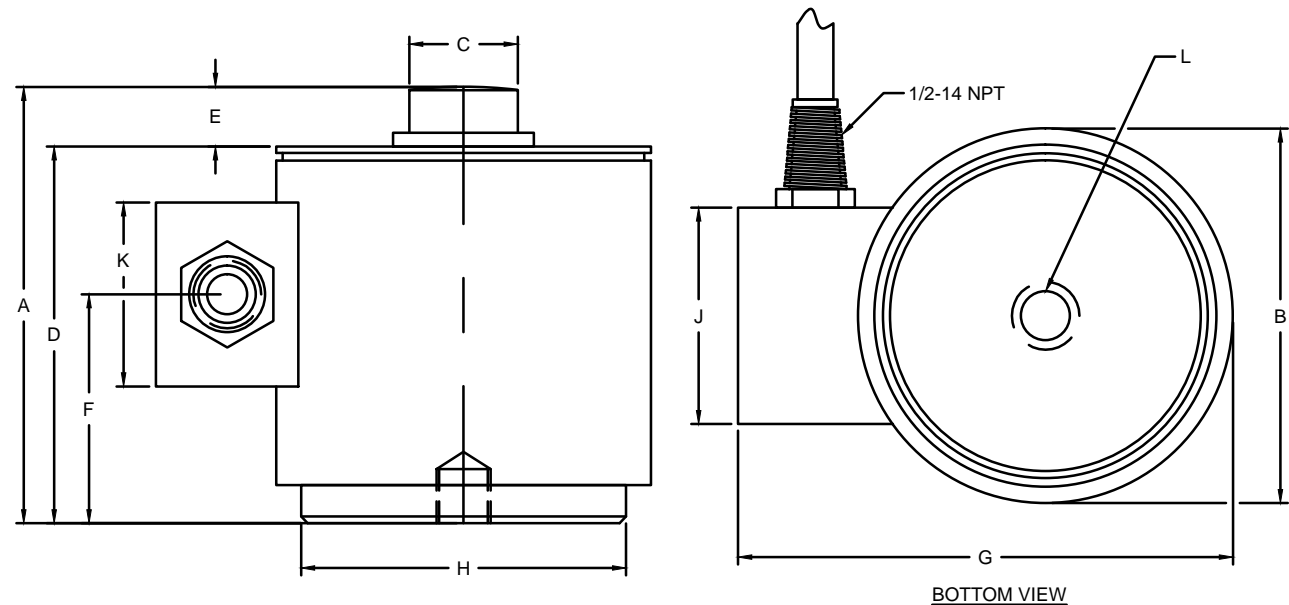


ZONE		REVISIONS					
LTR.	DESCRIPTION	DATE	ECN	BY	CKD	APVD	
-	C REDRAWN FOR CATALOG	5/4/15	2015-28	RLU	JSP	AA	

- PERFORMANCE SPECIFICATIONS:**
1. CAPACITIES: 5K, 10K, 20K, 25K, 50K, 100K, 150K, 200K. (LB).
  2. RATED OUTPUT: 3.00 mV/V  $\pm$ 0.25%.
  3. SAFE OVERLOAD: 150% FS.
  4. EXCITATION VOLTAGE: 10V AC/DC (15V MAX).
  5. INPUT RESISTANCE: 380  $\pm$ 10 $\Omega$ .
  6. OUTPUT RESISTANCE: 350  $\pm$ 5 $\Omega$ .
  7. ZERO BALANCE:  $\pm$ 1.00% FS.
  8. SEAL TYPE: HERMETICALLY SEALED IP67.
  9. NON-LINEARITY:  $\pm$ 0.05% FS.
  10. HYSTERESIS:  $\pm$ 0.03% FS.
  11. REPEATABILITY:  $\pm$ 0.01% FS.
  12. CREEP:  $\pm$ 0.03% FS IN 30 MINUTES.
  13. COMPENSATED TEMPERATURE RANGE: -10°C TO +40°C.
  14. TEMPERATURE EFFECT ON ZERO:  $\pm$ 0.0027% FS/°C.
  15. TEMPERATURE EFFECT ON OUTPUT:  $\pm$ 0.0015% FS/°C.
  16. INSULATION RESISTANCE: 5000 MEGOHMS.
  17. LOAD CELL CABLE: 4-24AWG,  $\varnothing$ 5.6MM, PVC, 50FT.
  18. LOAD CELL WIRING:  
GRN (+EXC)  
BLK (-EXC)  
WHT (+SIG)  
RED (-SIG)  
YELLOW: SHIELD
  19. FM APPROVED.

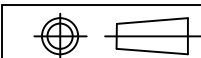


RATED CAPACITY	DIMENSIONS										
	A	B	C	D	E	F	G	H	J	K	L
5K - 10K	4.00	3.53	1.00	3.56	0.40	2.09	4.59	3.23	1.57	1.57	1/2-20 UNF x 0.50 DEEP
20K - 25K	5.00	3.53	1.00	4.56	0.57	2.59	4.59	3.23	1.57	1.57	1/2-20 UNF x 0.50 DEEP
50K	6.00	4.48	1.50	5.44	0.72	3.25	3.23	3.86	1.97	1.97	3/4-16 UNF x 0.75 DEEP
100K	8.50	5.03	1.75	7.81	0.80	5.25	4.87	4.49	1.97	1.97	3/4-16 UNF x 0.75 DEEP
150K - 200K	11.03	6.07	2.50	10.14	0.92	6.00	7.54	5.75	1.97	1.97	3/4-16 UNF x 0.75 DEEP

**DO NOT ALTER WITHOUT AGENCY NOTIFICATION**

COTI GLOBAL SENSORS, INC.

**CG - 93  
CANISTER LOAD CELL**



THIS DOCUMENT CONTAINS PROPRIETARY INFORMATION AND SUCH INFORMATION MAY NOT BE REPRODUCED OR DISCLOSED FOR ANY PURPOSE OR USED TO PRODUCE THE ARTICLE OR SUBJECT WITHOUT WRITTEN PERMISSION FROM COTI GLOBAL SENSORS, INC.

TOLERANCES UNLESS OTHERWISE SPECIFIED  
 .XX =  $\pm$ 0.02"  
 .XXX =  $\pm$ 0.005"  
 .XXXX =  $\pm$ 0.0002"  
 FRACTIONS:  $\pm$ 1/16"  
 ANGLES DEC:  $\pm$ 1/8"

APPROVALS		DATE
DRAWN:	RLU	05/04/15
CHECKED:	AA	05/04/15
ENGINEER:	JSP	05/04/15
APPROVED:	AA	05/04/15
MATERIAL:	STAINLESS STEEL	
FINISH:	PASSIVATED	

SCALE	SIZE	PART/DRAWING NO.	REV.
NONE	B	DOD-CG-93	C
MODEL CG-93		SHEET 1 OF 1	