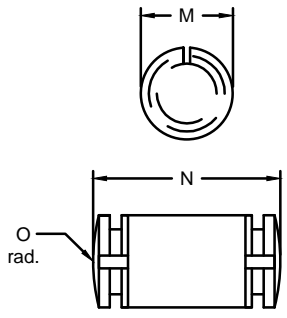
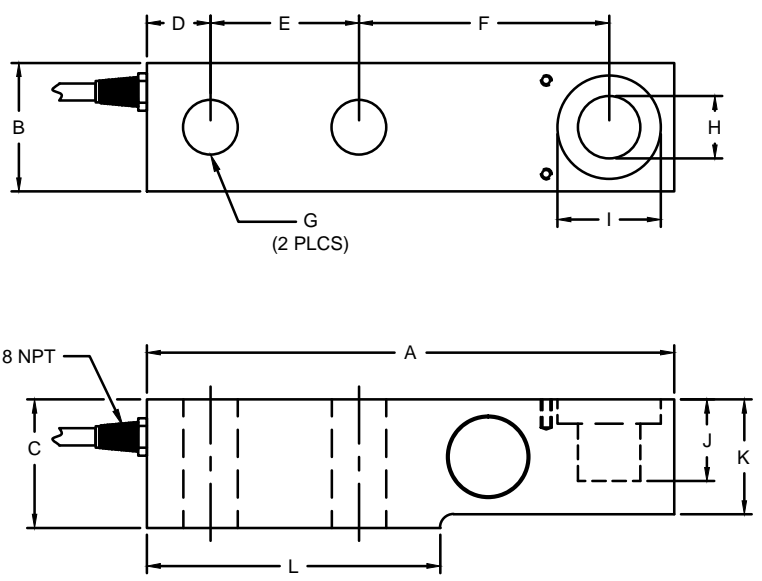


ZONE		REVISIONS					
LTR.	DESCRIPTION	DATE	ECN	BY	CKD	APVD	
-	B	REDRAWN FOR LABELING CONSISTENCY	01/02/16	2016-63	TB	AA	



STOCK# 655 & 662

PERFORMANCE SPECIFICATIONS:

1. CAPACITIES: 1K, 3K, 5K, 10K, 20K. (LB)
2. RATED OUTPUT: 2.00 mV/V \pm 0.25%.
3. SAFE OVERLOAD: 150% FS.
4. EXCITATION VOLTAGE: 10V AC/DC (15V MAX).
5. INPUT RESISTANCE: 385 \pm 10 Ω .
6. OUTPUT RESISTANCE: 350 \pm 3 Ω .
7. ZERO BALANCE: \pm 1.00% FS.
8. SEAL TYPE: ENVIRONMENTALLY-SEAL IP67.
9. NON-LINEARITY: \pm 0.03% FS.
10. HYSTERESIS: \pm 0.03% FS.
11. REPEATABILITY: \pm 0.01% FS.
12. CREEP: \pm 0.02% FS IN 30 MINUTES.
13. NTEP RATED.
14. CLASS III, 5,000 DIVISION, MULTIPLE CELL.
15. COMPENSATED TEMPERATURE RANGE: -10°C TO +40°C.
16. TEMPERATURE EFFECT ON ZERO: \pm 0.0027% FS/°C.
17. TEMPERATURE EFFECT ON OUTPUT: \pm 0.0015% FS/°C.
18. INSULATION RESISTANCE: 5000 MEGOHMS.
19. LOAD CELL CABLE: 4-24AWG, \varnothing 5.6MM, PVC, 30FT.
20. LOAD CELL WIRING:
 - GRN (+EXC)
 - BLK (-EXC)
 - WHT (+SIG)
 - RED (-SIG)
 - BRAID/YELLOW: SHIELD
21. FM APPROVED.

RATED CAPACITY	DIMENSIONS														
	A	B	C	D	E	F	G	H	I	J	K	L	M	N	O
1K - 5K	8.00	1.44	1.70	0.74	2.50	3.88	0.52	0.62	1.26	1.19	1.46	3.75	-	-	-
10K	9.25	1.88	2.06	0.87	2.62	4.88	0.78	0.88	1.50	1.19	1.87	4.31	-	-	-
20K	11.00	2.38	2.62	1.00	3.25	5.50	1.06	1.25	1.89	0.82	2.36	5.25	-	-	-
#655	-	-	-	-	-	-	-	-	-	-	-	-	0.59	1.50	2.00
#662	-	-	-	-	-	-	-	-	-	-	-	-	0.85	1.73	2.00

DO NOT ALTER WITHOUT AGENCY NOTIFICATION

COTI GLOBAL SENSORS, INC.

CG - 743
NTEP LOAD CELL

APPROVALS		DATE	SCALE	SIZE	PART/DRAWING NO.	REV.
DRAWN:	RLU	06/16/15	NONE	B	DOD-CG-743	B
CHECKED:	AA	06/16/15				
ENGINEER:	JSP	06/16/15				
APPROVED:	AA	06/16/15				
MATERIAL:	STAINLESS STEEL					
FINISH:	PASSIVATED					
			MODEL	CG-743	SHEET 1 OF 1	

THIS DOCUMENT CONTAINS PROPRIETARY INFORMATION AND SUCH INFORMATION MAY NOT BE REPRODUCED OR DISCLOSED FOR ANY PURPOSE OR USED TO PRODUCE THE ARTICLE OR SUBJECT WITHOUT WRITTEN PERMISSION FROM COTI GLOBAL SENSORS, INC.

TOLERANCES UNLESS OTHERWISE SPECIFIED:
 .XX = \pm 0.02"
 .XXX = \pm 0.005"
 .XXXX = \pm 0.0002"
 FRACTIONS: \pm 1/16"
 ANGLES: DEC: \pm 1°