

# Coti Global Sensors

## MANUFACTURING

Weighing Products Worldwide

[www.cotiglobal.com](http://www.cotiglobal.com)

Toll Free: 866-762-2684

**New Pricing**

Effective July 18

## Volume 10

 5699 Highway 53, Harvest, AL 35749

 [sales@cotiglobal.com](mailto:sales@cotiglobal.com)

 256-852-9900  256-852-9903



MEMBER

INTERNATIONAL  
SOCIETY OF  
WEIGHING AND  
MEASUREMENT



MEMBER



MEMBER



## Warranty

Coti Global Sensors warrants all load cells against defects in materials and workmanship for one (1) year from the date of shipment from Coti Global Sensors.

If any load cell fails to conform to these warranties, Coti Global Sensors will, at its option, repair or replace such goods returned within the warranty period subject to the following conditions;

Upon discovery by Buyer of such non-conformity, Coti Global Sensors will be given prompt written notice with a detailed explanation of the alleged deficiencies.

Examination of load cell by Coti Global Sensors confirms that the non-conformity actually exists, and was not caused by accident, misuse, neglect, alteration, improper installation, improper repair, or improper testing. Coti Global Sensors shall be the sole judge of all alleged non-conformities.

Coti Global Sensors will have reasonable time to repair or replace the defective equipment. Buyer is responsible for shipping the product to Coti Global Sensors. Coti Global Sensors is responsible for shipping the product back to the customer.

In no event will Coti Global Sensors be responsible for travel time or on-location repairs, including assembly or disassembly of equipment. Nor will Coti Global Sensors be liable for the cost of any repairs made by others.

These warranties exclude all other warranties, expressed or implied. Coti Global Sensors will, in any event, not be held liable for incidental or consequential damages.

Coti Global Sensors and buyer agree that Coti Global Sensors sole and exclusive liability hereunder is limited to repair or replacement of such goods. In accepting this warranty, the buyer waives any and all other claims to warranty.

# Product Index

## Load Cells

<b>Canisters Compression</b>	<b>Page</b>
CG-26S.....	1
CG-26S1.....	2
CG-26S1-65114.....	3
CG-26S2.....	4
CG-26S3.....	5
CG-26S3-10.....	6
CG-26S4.....	7
CG-175.....	8
CG-26S5.....	9
CG-26S6.....	10
CG-26S7.....	11
CG-92 & CG-93.....	12
CG-CC22.....	13
CG-CP22.....	14
CG-412.....	15
CG-RLC.....	16
CG-SP9.....	17
CG-1211.....	18
CG-94 & CG-94-SS.....	19

<b>Torsion Ring</b>	
CG-JRT.....	20

<b>Canisters Tension/Compression</b>	
CG-21 & CG-31.....	21
CG-TC42 & CG-TC43.....	22
CG-62 & CG-63.....	23
CG-33.....	24

<b>S-Beams</b>	
CGSB.....	25
CGSB-SS.....	26
CGSB-SSW.....	27
CGSB-1.....	28
CGSB-SS-1.....	29
CGSB-MT.....	30
CGSB-SS-MT.....	31
CGSS.....	32

<b>Single Ended Beams</b>	
CG-SB250.....	33
CG-BBS.....	34
CG-Z6.....	35
CG-LC22.....	36
CG-23.....	37
CG-23-1.....	38
CG-23-SS.....	39
CG-23-SS-1.....	40
CG-23-SSW-02.....	41
CG-23-SSW-03.....	42
CG-23-LP.....	43
CG-60040.....	44
CG-SB3.....	45
CG-SB3-1.....	46
CG-SSB.....	47

<b>Single Ended Beams cont.</b>	<b>Page</b>
CG-SSB-10.....	48
CG-SB2L.....	49
CG-SB2M.....	50
CG-743.....	51
CG-745.....	52
CG-SMB6.....	53
CG-SMB6-2.....	54
CG-HMT.....	55
CG-TB2.....	56
CG-WB-SS.....	57
CG-WBL-SS.....	58
CG-BLC-C.....	59
CG-BLC-T.....	60
CG-SB4.....	61
CG-BLF.....	62

<b>Double Ended Beams</b>	
CG-STR.....	63
CG-STR1.....	64
CG-STR1-SSW.....	65
CG-5103.....	66
CG-5103-SSW.....	67
CG-5223.....	68
CG-BLC-2.....	69
CG-16.....	70
CG-16-SSW.....	71
CG-BE40.....	72
CG-58.....	73
CG-DB50000S.....	74
CG-Lodec.....	75
CG-SLS.....	76
CG-80210.....	77
CG-WBM.....	78

<b>Single Points</b>	
CG-FB.....	79
CG-1010.....	80
CG-PWS.....	81
CG-SPL.....	82
CG-SPLM.....	83
CG-51.....	84
CG-60048.....	85
CG-22.....	86
CG-42.....	87
CG-42-SS.....	88
CG-40.....	89
CG-40-SS.....	90
CG-50.....	91
CG-50-SS.....	92

*continued.*

## Product Index

### Load Cells

Single Points cont.	Page
CG-50-1.....	93
CG-50-2.....	94
CG-MK4.....	95
CG-MK21.....	96
CG-FLS.....	97
CG-1130.....	98
CG-1241.....	99
CG-1240-SS.....	100
CG-HPS.....	101

### Rail Lines

CG-RXR.....	102
-------------	-----

### Floor Scales

Floor Scales.....	103
-------------------	-----

### Hardware and Accessories

Eye Bolts.....	104
Bonding Straps.....	105
Threaded Adapters.....	105
Spacer Plates.....	106
Load Cell Buttons.....	106
TM-Grip.....	107
Tension Alignments Assembly.....	107

### Cable

Standard Load Cell Cable.....	108
Braided Shield Cable.....	108
High Temperature Cable.....	108

### Feet

Carbon Beam Feet.....	109
Stainless Beam Feet.....	109
Rubber Beam Feet.....	109
Desiccant Gel Pack.....	110
Splice Box.....	110
Summing Cards.....	111-116
Junction Boxes.....	111-116
Indicators.....	117-121
Load Cell Protection.....	122-123
Printers.....	124-125
Remote Displays.....	126

### Suspension Assemblies

ITCM.....	128
ITCM-SS.....	129
ITCM-SSW.....	130

Weighing Assemblies	Page
CG-412M.....	131
CG-94M-MS.....	132
CG-94M-SM.....	133
CG-SP9M.....	134
CG-23M-MS.....	135
CG-23M-SS.....	136
CG-23M-SSW.....	137
CG-59M-MS.....	138
CG-59M-SS.....	139
CG-59M-SSW.....	140
CG-82M-MS.....	141
CG-82M-SS.....	142
CG-82M-SSW.....	143
CG-RTM.....	144
CG-03M-MS.....	145
CG-03M-SM.....	146
CG-03M-SSW.....	147
CG-16M-MS.....	148
CG-16M-SM.....	149
CG-16M-SSW.....	150
CG-TSA.....	151
CG-Z6M-SS.....	152
CG-TWM.....	153
CG-WBM-W.....	154
CG-WBM-X.....	155
CG-WBM-Z.....	156



Manufacturer	Manufacturer Model #	CGS Part Number	Page #	Manufacturer	Manufacturer Model #	CGS Part Number	Page #
Accuweigh	GF4	CG-58 Alloy Steel Double Ended Beam	73	Artech	50210	CG-60040 Stainless Steel Single Ended Beam	44
Airweigh	AW900	CG-BE40 Alloy Steel Double Ended Beam	72	Artech	60410	CG-50 Aluminum Single Point	91
Airweigh	AW900 (50Kse)	CG-80210 Alloy Steel Double Ended Beam	77	Artech	60410	CG-50-SS Stainless Steel Single Point	92
Airweigh	AW900B (60Kse)	CG-80210 Alloy Steel Double Ended Beam	77	Artech	60610	CG-60610 Alloy Steel Single Point	*
Anyload	101BS	CGSB-SSW Stainless Steel Welded S-Beam	27	Artech	61022	CG-22 Aluminum Single Point	86
Anyload	101NH	CGSB Alloy Steel S-Beam	25	Artech	70210	CG-5103 Alloy Steel Double Ended Beam	66
Anyload	101NSGS	CGSB-SS Stainless Steel S-Beam	26	Artech	70310	CG-58 Alloy Steel Double Ended Beam	73
Anyload	102BH	CG-58 Alloy Steel Double Ended Beam	73	Artech	70510	CG-16 Alloy Steel Double Ended Beam	70
Anyload	102DH	CG-5103 Alloy Steel Double Ended Beam	66	Artech	80210	CG-5223 Alloy Steel Double Ended Beam	68
Anyload	102EH	CG-16 Alloy Steel Double Ended Beam	70	Artech	80310	CG-BE40 Alloy Steel Double Ended Beam	72
Anyload	102EHEL	CG-STR Alloy Steel Double Ended Beam	63	Artech	90210	CG-175 Stainless Steel Compression Canister	8
Anyload	102ES	CG-16-SSW Stainless Steel Welded Double Ended Beam	71	Artech	90310	CG-26S5 Stainless Steel Compression Canister	9
Anyload	102FS	CG-DB50000S Stainless Steel Welded Double Ended Beam	74	Artech	90405	CG-26S3 Stainless Steel Compression Canister	5
Anyload	102RH	CG-5223 Alloy Steel Double Ended Beam	68	Artech	90510	CG-62 Stainless Steel Tension/Compression Canister	23
Anyload	102TH	CG-BE40 Alloy Steel Double Ended Beam	72	Artech	90510	CG-TC42 Stainless Steel Tension/Compression Canister	22
Anyload	106CS	CG-175 Stainless Steel Compression Canister	8	Artech	90515	CG-TC43 Stainless Steel Tension/Compression Canister	22
Anyload	106CS20	CG-26S5 Stainless Steel Compression Canister	9	Artech	SS20210	CGSB-SS-1 Stainless Steel S-Beam	29
Anyload	106DH	CG-94 Alloy Steel Compression Canister	19	Artech	SS30210	CG-23-SS-1 (Through Hole) Stainless Steel Single Ended Beam	40
Anyload	106ES	CG-26S Stainless Steel Compression Rocker Column	1	Artech	SS30310	CG-23-SS Stainless Steel Single Ended Beam	39
Anyload	106HS	CG-26S4 Stainless Steel Compression Canister	7	Artech	SS30315	CG-23-LP Stainless Steel Low Profile Single Ended Beam	43
Anyload	106KS	CG-CC22 Stainless Steel Compression Canister	13	Artech	SS30510	CG-BLC-C Stainless Steel Single Ended Beam w/Counter Bore	59
Anyload	106PS	CG-93 Stainless Steel Compression Canister	12	Artech	SS30610	CG-SSB Stainless Steel Single Ended Beam	47
Anyload	106PS20	CG-92 Stainless Steel Compression Canister	12	Artech	SS60210	CG-51 Stainless Steel Single Point	84
Anyload	106RS	CG-26S6 Stainless Steel Compression Rocker Column	10	Artech	SS60510	CG-40-SS Stainless Steel Single Point	90
Anyload	106TS	CG-26S7 Stainless Steel Rocker Column	11	Artech	SS61010	CG-MK4 Stainless Steel Single Point	95
Anyload	108AUN	CG-50 Aluminum Single Point	91	Artech	SS70210	CG-5103-SSW Stainless Steel Welded Double Ended Beam	67
Anyload	108BA	CG-22 Aluminum Single Point	86	BLH	C2G1	CG-22 Aluminum Single Point	86
Anyload	108CA	CG-50-2 Aluminum Single Point	94	BLH	C2P1	CG-26S3 Stainless Steel Compression Canister	5
Anyload	108KSUN	CG-1130 Stainless Steel Single Point	98	BLH	C3P1	CG-31 Stainless Steel Tension/Compression Canister	21
Anyload	108MAUN	CG-50-1 Aluminum Single Point	93	BLH	LBG1	CG-BBS Stainless Steel Single Ended Beam	34
Anyload	108QS	CG-SPL Aluminum Single Point	82	BLH	T2P1	CG-21 Stainless Steel Tension/Compression Canister	21
Anyload	108QSFL	CG-FLS Stainless Steel Single Point	97	BLH	T3P1	CG-31 Stainless Steel Tension/Compression Canister	21
Anyload	108TAUN	CG-42 Aluminum Single Point	87	Cardinal	CHB	CG-50 Aluminum Single Point	91
Anyload	108TSL	CG-PWS Stainless Steel Single Point	81	Cardinal	CLDBR	CG-5103-SSW Stainless Steel Welded Double Ended Beam	67
Anyload	108TSST	CG-51 Stainless Steel Single Point	84	Cardinal	CB6	CG-Z6 Stainless Steel Single-Ended Beam	35
Anyload	108TSVS	CG-60048 Stainless Steel Single Point	85	Cardinal	CP1	CG-175 Stainless Steel Compression Canister	8
Anyload	563RS	CG-Z6 Stainless Steel Single Ended Beam	35	Cardinal	DB35000S	CG-DB50000S Stainless Steel Welded Double Ended Beam	74
Anyload	563WS	CG-WB-SS Stainless Steel Single Ended Beam	57	Cardinal	DB50000S	CG-DB50000S Stainless Steel Welded Double Ended Beam	74
Anyload	563WS30	CG-WB-SS Stainless Steel Single Ended Beam	57	Cardinal	DB75000S	CG-DB50000S Stainless Steel Welded Double Ended Beam	74
Anyload	563YH	CG-23 (Threaded Hole) Alloy Steel Single Ended Beam	37	Cardinal	HDD	CG-26S Stainless Steel Compression Rocker Column	1
Anyload	563YHMS	CG-SB2L Alloy Steel Single Ended Beam	49	Cardinal	LFB-HMT	CG-HMT Stainless Steel Single Ended Beam	55
Anyload	563YHMS	CG-SB2M Alloy Steel Single Ended Beam	50	Cardinal	SB10000S	CG-SB250 Stainless Steel Single Ended Beam	33
Anyload	563YHRT	CG-30410 Alloy Steel Single Ended Shear Beam	*	Cardinal	SB20000S	CG-SB250 Stainless Steel Single Ended Beam	33
Anyload	563YS	CG-23-SSW-02-C20 (2.00mV/v 20ft Common Cable)	41	Cardinal	SB2500S	CG-SB250 Stainless Steel Single Ended Beam	33
Anyload	563YS30	CG-23-SSW-03-C20 (3.00mV/v 20ft Common Cable)	42	Cardinal	SB5000S	CG-SB250 Stainless Steel Single Ended Beam	33
Anyload	563YSLB	CG-HMT Stainless Steel Single Ended Beam	55	Cardinal	SCA	CG-26S Stainless Steel Compression Rocker Column	1
Anyload	563YSLF	CG-BLF Alloy Steel Single Ended Beam	62	Cardinal	SPL	CG-SPL Aluminum Single Point	82
Anyload	563YSMT	CG-745 Stainless Steel Single Ended Beam	52	Cardinal	SPLM	CG-SPLM Stainless Steel Single Point	83
Anyload	563YSRS	CG-SB3 Alloy/Stainless Steel Single Ended Beam	45	Cardinal	TSP	CG-42 Aluminum Single Point	87
Anyload	563YSSB	CG-SB250 Stainless Steel Single Ended Beam	33	CAS	BCA	CG-42 Aluminum Single Point	87
Anyload	651AA	CG-1010 Aluminum Single Point	80	CAS	BCM	CG-50-SS Stainless Steel Single Point	92
Anyload	651KS55UN	CG-50-1 Aluminum Single Point	93	CAS	BSA	CG-23 (Threaded Hole) Alloy Steel Single Ended Beam	37
Anyload	651TAUN	CG-40 Aluminum Single Point	89	CAS	BCM	CG-50 Aluminum Single Point	91
Artech	879	CG-42 Aluminum Single Point	87	Celtron	CLB	CG-58 Alloy Steel Double Ended Beam	73
Artech	20210	CGSB-1 Alloy Steel S-Beam	28	Celtron	CSB	CG-5103 Alloy Steel Double Ended Beam	66
Artech	30210	CG-23-1 (Through Hole) Alloy Steel Single Ended Beam	38	Celtron	DLB	CG-BE40 Alloy Steel Double Ended Beam	72
Artech	30310	CG-23 (Threaded Hole) Alloy Steel Single Ended Beam	37	Celtron	DSR	CG-16 Alloy Steel Double Ended Beam	70
Artech	30315	CG-23-LP Stainless Steel Low Profile Single Ended Beam	43	Celtron	DSR HSS	CG-16-SSW Stainless Steel Welded Double Ended Beam	71
Artech	30410	CG-30410 Alloy Steel Single Ended Shear Beam	*	Celtron	HBB	CG-Z6 Stainless Steel Single-Ended Beam	35
Artech	40310	CG-BBS Stainless Steel Single Ended Beam	34	Celtron	LOC Heavy Capacity	CG-50 Aluminum Single Point	91

Manufacturer	Manufacturer Model #	CGS Part Number	Page #	Manufacturer	Manufacturer Model #	CGS Part Number	Page #
Celtron	LOC Heavy Capacity	CG-50-SS Stainless Steel Single Point	92	HBM	B35	CG-23-SS Stainless Steel Single Ended Beam	39
Celtron	LOC Light Capacity	CG-40 Aluminum Single Point	89	HBM	BBS	CG-BBS Stainless Steel Single Ended Beam	34
Celtron	LPS	CG-22 Aluminum Single Point	86	HBM	BLC	CG-BLC-C Stainless Steel Single Ended Beam w/Counter Bore	59
Celtron	SQB	CG-23 (Threaded Hole) Alloy Steel Single Ended Beam	37	HBM	BLC	CG-BLC-T Stainless Steel Single Ended Beam (Threaded)	60
Celtron	SQB HSS	CG-23-SSW-03-C20 (3.00mV/v 20ft Common Cable)	42	HBM	C-10	CG-26S3 Stainless Steel Compression Canister	5
Celtron	SQB HSS	CG-23-SSW-03-T20 (3.00mV/v 20ft Teflon Cable)	42	HBM	C16	CG-26S4 Stainless Steel Compression Canister	7
Celtron	SQB SS	CG-23-SS Stainless Steel Single Ended Beam	39	HBM	H35	CG-23-SSW-03-C20 (3.00mV/v 20ft Common Cable)	42
Celtron	STC	CGSB Alloy Steel S-Beam	25	HBM	H35	CG-23-SSW-03-T20 (3.00mV/v 20ft Teflon Cable)	42
Celtron	STC HSS	CGSB-SSW Stainless Steel Welded S-Beam	27	HBM	JRT	CG-JRT Alloy Steel Torsion Ring	20
Celtron	STC SS	CGSB-SS Stainless Steel S-Beam	26	HBM	PW12	CG-50 Aluminum Single Point	91
Checkweigher	3270	CG-MK21 Stainless Steel Single Point	96	HBM	PW12	CG-50-SS Stainless Steel Single Point	92
Epelsea	STR	CG-STR Alloy Steel Double Ended Beam	63	HBM	PW15AH	CG-40-SS Stainless Steel Single Point	90
Fairbanks	3-38054-X	CG-31 Stainless Steel Tension/Compression Canister	21	HBM	PW16	CG-50-1 Aluminum Single Point	93
Fairbanks	3-38065-X	CG-26S3 Stainless Steel Compression Canister	5	HBM	PW24	CG-50-2 Aluminum Single Point	94
Fairbanks	3-38066-X	CG-26S3 Stainless Steel Compression Canister	5	HBM	PW6C	CG-22 Aluminum Single Point (5KG-30KG)	86
Fairbanks	3-39897-X	CG-31 Stainless Steel Tension/Compression Canister	21	HBM	PW6K	CG-22 Aluminum Single Point	86
Fairbanks	3-40766-X	CG-31 Stainless Steel Tension/Compression Canister	21	HBM	PWA	CG-PWA Aluminum Single Point	*
Fairbanks	3-43076-1	CG-26S3-10 Stainless Steel Compression Canister	6	HBM	PWS	CG-PWS Stainless Steel Single Point	81
Fairbanks	3-43076-2	CG-26S3-10 Stainless Steel Compression Canister	6	HBM	S35-20575	CGSB-SS-1 Stainless Steel S-Beam	29
Fairbanks	3-43076-3	CG-26S3-10 Stainless Steel Compression Canister	6	HBM	SB3	CG-SB3 Alloy/Stainless Steel Single Ended Beam	45
Fairbanks	3-481XX-1	CG-BBS Stainless Steel Single Ended Beam	34	HBM	SB3	CG-SSB Stainless Steel Single Ended Beam	47
Fairbanks	3-48424-X	CG-SBF Alloy Steel Single Ended Beam	*	HBM	SB3	CG-SB3-1 Alloy Steel Single Ended Beam	46
Fairbanks	3-48363-1A	CG-SBF Alloy Steel Single Ended Beam	*	HBM	SB3-1	CG-SB3-1 Alloy Steel Single Ended Beam	46
Fairbanks	3-486XX-1	CG-BBS Stainless Steel Single Ended Beam	34	HBM	SB4	CG-SSB-10 Stainless Steel Single Ended Beam	48
Fairbanks	3-52921-1	CG-BLF Alloy Steel Single Ended Beam	62	HBM	SBF	CG-SBF Alloy Steel Single Ended Beam	*
Fairbanks	3-53581-X	CG-BLF Alloy Steel Single Ended Beam	62	HBM	SP4	CG-42 Aluminum Single Point	87
Fairbanks	3-54786-1	CG-23-SSW-03-C20 (3.00mV/v 20ft Common Cable)	42	HBM	THC	CG-745 Stainless Steel Single Ended Beam	52
Fairbanks	3-54786-1	CG-23-SSW-03-T20 (3.00mV/v 20ft Teflon Cable)	42	HBM	Z6	CG-Z6 Stainless Steel Single-Ended Beam	35
Fairbanks	3-55176-1	CG-FB Aluminum Single Point	79	Howe Rich	20908XXX	CG-175 Stainless Steel Compression Canister	8
Fairbanks	3-55383-2	CG-FB Aluminum Single Point	79	Howe Rich	244699-000X	CG-26S5 Stainless Steel Compression Canister	9
Fairbanks	4900 Series	CG-22 Aluminum Single Point	86	Hydraulic Truck	Totalizer 5K	CG-1211 Stainless Steel Compression Canister	18
Fairbanks	63951	CG-26S1-65114 Stainless Steel Rocker Column	3	Incell	SBC	CG-23 (Threaded Hole) Alloy Steel Single Ended Beam	37
Fairbanks	64166	CG-26S1 Stainless Steel Compression Rocker Column	2	Interface	1210	CG-1210 Tension/Compression Stainless Steel Canister	*
Fairbanks	70510 30T	CG-26S6 Stainless Steel Compression Rocker Column	10	Interface	1211	CG-1211 Stainless Steel Compression Canister	18
Fairbanks	80453 100K	CG-26S6 Stainless Steel Compression Rocker Column	10	Keli	KL-40	CG-BE40 Alloy Steel Double Ended Beam	72
Fairbanks	90814	CG-STR1-SSW Stainless Steel Welded Double Ended Beam	65	LOCOSC	LP7110	CG-23 (Threaded Hole) Alloy Steel Single Ended Beam	37
Fairbanks	90814 40K	CG-STR1 Alloy Steel Double Ended Beam	64	Massload	ML1100	CG-SLS Alloy Steel Double Ended Beam	76
Fairbanks	90814 40K	CG-STR1-SSW Stainless Steel Welded Double Ended Beam	65	Massload	MLS400	CG-BE40 Alloy Steel Double Ended Beam	72
Fairbanks	91088 50K	CG-STR1 Alloy Steel Double Ended Beam	64	Masstron	ML4311	CG-743 Stainless Steel Single Ended Beam	51
Fairbanks	91088 50K	CG-STR1-SSW Stainless Steel Welded Double Ended Beam	65	Masstron	ML4331	CG-743 Stainless Steel Single Ended Beam	51
Fairbanks	657090	CG-21 Stainless Steel Tension/Compression Canister	21	Masstron	ML4350	CG-743 Stainless Steel Single Ended Beam	51
Fairbanks	657091	CG-21 Stainless Steel Tension/Compression Canister	21	Masstron	ML4410	CG-743 Stainless Steel Single Ended Beam	51
Fairbanks	LCF-3030	CG-23 (Threaded Hole) Alloy Steel Single Ended Beam	37	Masstron	ML4420	CG-743 Stainless Steel Single Ended Beam	51
Fairbanks	LCF-HR4020-21 100K	CG-26S6 Stainless Steel Compression Rocker Column	10	Masstron	ML4437	CG-SB2L Alloy Steel Single Ended Beam	49
Fairbanks	LCF-HR4020-22 22.5T	CG-26S6 Stainless Steel Rocker Column	10	Masstron	ML4447	CG-SMB6 Alloy Steel Single Ended Beam	53
Fairbanks	LCF-HR4020-2A 30T	CG-26S6 Stainless Steel Compression Rocker Column	10	Masstron	ML4449	CG-SMB6 Alloy Steel Single Ended Beam	53
Fairbanks	LCF-HR4020-4A 50T	CG-26S6 Stainless Steel Compression Rocker Column	10	Mettler Toledo	SLC610 15t-22.5t	CG-26S6 Stainless Steel Compression Rocker Column	10
Fairbanks	LCF-HR4020-19	CG-26S2 Stainless Steel Compression Rocker Column	4	NCI	3270 Series Checkweigher	CG-MK21 Stainless Steel Single Point	96
Fairbanks	LCF-HR4020-2 50Kle	CG-26S1 Stainless Steel Compression Rocker Column	2	NCI	Mark 15	CG-MK15 Stainless Steel Single Ended Beam	*
Fairbanks	LCF-HR4020-2A 30T	CG-26S6 Stainless Steel Compression Rocker Column	10	NCI	Mark III	CG-51 Stainless Steel Single Point	84
Fairbanks	Rodan	CG-STR1-SSW Stainless Steel Welded Double Ended Beam	65	NCI	Mark IV	CG-MK4 Stainless Steel Single Point	95
First Weigh	LC22	CG-LC22 Alloy Steel Single Ended Beam	36	NCI	Mark IX	CG-51 Stainless Steel Single Point	84
First Weigh	LC32	CG-STR Alloy Steel Double Ended Beam	63	NCI	Mark V	CG-60048 Stainless Steel Single Point	85
Flintec	PC42	CG-42 Aluminum Single Point	87	NCI	Mark V	CG-MK5 Aluminum Single Point	*
Flintec	PCB	CG-50-SS Stainless Steel Single Point	92	NMB	C2G1	CG-22 Aluminum Single Point	86
Flintec	RC1	CG-26S2 Stainless Steel Compression Rocker Column	4	NV Technologies	BLC	CG-BLC-2 Alloy Steel Double Ended Beam	69
Flintec	RC3	CG-26S6 Stainless Steel Compression Rocker Column	10	NV Technology	BLC-1-60K-N	CG-80210 Alloy Steel Double Ended Beam	77
Flintec	SB4	CG-SB4 Stainless Steel Single Ended Beam	61	NV Technology	BLC-2-XX-N	CG-BLC-2 Alloy Steel Double Ended Beam	69
HBM	BLC	CG-BLC-C Stainless Steel Single Ended Beam w/Counter Bore	59	Revere	42U	CG-TC42 Stainless Steel Tension/Compression Canister	22
HBM	BLF	CG-BLF Alloy Steel Single Ended Beam	62	Revere	43U	CG-TC43 Stainless Steel Tension/Compression Canister	22
HBM	A35	CG-23 (Threaded Hole) Alloy Steel Single Ended Beam	37				

Manufacturer	Manufacturer Model #	CGS Part Number	Page #	Manufacturer	Manufacturer Model #	CGS Part Number	Page #
Revere	62HU	CG-62 Stainless Steel Tension/Compression Canister	23	Rice Lake	RL35082	CG-23-SSW-02-C20 (2.00mV/v 20ft Common Cable)	41
Revere	63HU	CG-63 Tension/Compression Canister	23	Rice Lake	RL35082	CG-23-SSW-02-T20 (2.00mV/v 20ft Teflon Cable)	41
Revere	92	CG-92 Stainless Steel Compression Canister	12	Rice Lake	RL35083	CG-23-SSW-03-C20 (3.00mV/v 20ft Common Cable)	42
Revere	93	CG-93 Stainless Steel Compression Canister	12	Rice Lake	RL35083	CG-23-SSW-03-T20 (3.00mV/v 20ft Teflon Cable)	42
Revere	363	CGSB-1 Alloy Steel S-Beam	28	Rice Lake	RL39123	CG-23-SS Stainless Steel Single Ended Beam	39
Revere	392B	CG-175 Stainless Steel Compression Canister	8	Rice Lake	RL40BBS	CG-BBS Stainless Steel Single Ended Beam	34
Revere	642	CG-42 Aluminum Single Point	87	Rice Lake	RL50210	CG-60040 Stainless Steel Single Ended Beam	44
Revere	652	CG-50 Aluminum Single Point	91	Rice Lake	RL60040SST	CG-60040 Stainless Steel Single Ended Beam	44
Revere	652	CG-50-SS Stainless Steel Single Point	92	Rice Lake	RL70000	CG-5103 Alloy Steel Double Ended Beam	66
Revere	692B	CG-26S5 Stainless Steel Compression Canister	9	Rice Lake	RL70000SS	CG-5103-SSW Stainless Steel Welded Double Ended Beam	67
Revere	792	CG-26S3 Stainless Steel Compression Canister	5	Rice Lake	RL70510 30T	CG-26S6 Stainless Steel Compression Rocker Column	10
Revere	4211	CG-TC42 Stainless Steel Tension/Compression Canister	22	Rice Lake	RL71000HE	CG-5103-SSW Stainless Steel Welded Double Ended Beam	67
Revere	4311	CG-TC43 Stainless Steel Tension/Compression Canister	22	Rice Lake	RL72010MH	CG-5103-SSW Stainless Steel Welded Double Ended Beam	67
Revere	5103	CG-5103 Alloy Steel Double Ended Beam	66	Rice Lake	RL72015HE	CG-5103-SSW Stainless Steel Welded Double Ended Beam	67
Revere	5123	CG-23 (Threaded Hole) Alloy Steel Single Ended Beam	37	Rice Lake	RL75000 SS	CG-WB-SS Stainless Steel Single Ended Beam	57
Revere	5203	CG-16 Alloy Steel Double Ended Beam	70	Rice Lake	RL75016	CG-16 Alloy Steel Double Ended Beam	70
Revere	5223	CG-5223 Alloy Steel Double Ended Beam	68	Rice Lake	RL75016SS	CG-16-SSW Stainless Steel Welded Double Ended Beam	71
Revere	5303	CG-58 Alloy Steel Double Ended Beam	73	Rice Lake	RL75016SS-W	CG-16-SSW Stainless Steel Welded Double Ended Beam	71
Revere	5503	CG-60040 Stainless Steel Single Ended Beam	44	Rice Lake	RL75016WHE	CG-16-SSW Stainless Steel Welded Double Ended Beam	71
Revere	9103	CG-5103-SSW Stainless Steel Welded Double Ended Beam	67	Rice Lake	RL75040A	CG-BE40 Alloy Steel Double Ended Beam	72
Revere	9123	CG-23-SS Stainless Steel Single Ended Beam	39	Rice Lake	RL75058	CG-58 Alloy Steel Double Ended Beam	73
Revere	9123	CG-23-SSW-03-C20 (3.00mV/v 20ft Common Cable)	42	Rice Lake	RL75114 50Kle	CG-26S1 Stainless Steel Compression Rocker Column	2
Revere	9203	CG-16-SSW Stainless Steel Welded Double Ended Beam	71	Rice Lake	RL75223	CG-5223 Alloy Steel Double Ended Beam	68
Revere	9323	CG-BE40 50KSE ~ 75KSE Alloy Double Ended Beam	72	Rice Lake	RL800WT	CG-FLS Stainless Steel Single Point	97
Revere	9363	CGSB-SS-1 Stainless Steel S-Beam	29	Rice Lake	RL80453 100K	CG-26S6 Stainless Steel Compression Rocker Column	10
Revere	9423	CG-80210 Alloy Steel Double Ended Beam (no load pin hole)	77	Rice Lake	RL8C2P1SS	CG-26S3 Stainless Steel Compression Canister	5
Revere	9503	CG-60040 Stainless Steel Single Ended Beam	44	Rice Lake	RLBLC	CG-BLC-C Stainless Steel Single Ended Beam w/Counter Bore	59
Revere	9803	CG-BLC-2 Alloy Steel Double Ended Beam	69	Rice Lake	RLBLC	CG-BLC-T Stainless Steel Single Ended Beam (Threaded)	60
Revere	9903	CG-BE40 50KLE - 75KLE Alloy Double Ended Beam	72	Rice Lake	RLBLF	CG-BLF Alloy Steel Single Ended Beam	62
Revere	ASC	CG-26S4 Stainless Steel Compression Canister (15t to 40t)	7	Rice Lake	RLDB50000S	CG-DB50000S Stainless Steel Welded Double Ended Beam	74
Revere	CP1	CG-175 Stainless Steel Compression Canister	8	Rice Lake	RLH35	CG-23-SSW-03-C20 (3.00mV/v 20ft Common Cable)	42
Revere	CSP	CG-26S5 Stainless Steel Compression Canister	9	Rice Lake	RLH35	CG-23-SSW-03-T20 (3.00mV/v 20ft Teflon Cable)	42
Revere	CSP1	CG-26S5 Stainless Steel Compression Canister	9	Rice Lake	RLHBB	CG-Z6 Stainless Steel Single Ended Beam	35
Revere	HPS	CG-HPS Stainless Steel Single Point	101	Rice Lake	RLHSCA	CG-26S Stainless Steel Compression Rocker Column	1
Revere	SHB	CG-Z6 Stainless Steel Single Ended Beam	35	Rice Lake	RLHTO	CG-23-SSW-02-C20 (2.00mV/v 20ft Common Cable)	41
Revere	SSB	CG-SB3 Alloy/Stainless Steel Single Ended Beam	45	Rice Lake	RLMK21	CG-MK21 Stainless Steel Single Point	96
Revere	SSB	CG-SSB Stainless Steel Single Ended Beam	47	Rice Lake	RLMK4	CG-MK4 Stainless Steel Single Point	95
Revere	USP1	CG-33 Tension/Compression Canister	24	Rice Lake	RLPWM12	CG-50 Aluminum Single Point	91
Rice Lake	39516	CG-58 Alloy Steel Double Ended Beam	73	Rice Lake	RLPWM12	CG-50-SS Stainless Steel Single Point	92
Rice Lake	RL1010	CG-1010 Aluminum Single Point	80	Rice Lake	RLPWM16	CG-50-1 Aluminum Single Point	93
Rice Lake	RL1040	CG-40 Aluminum Single Point	89	Rice Lake	RLSB250	CG-SB250 Stainless Steel Single Ended Beam	33
Rice Lake	RL1042	CG-42 Aluminum Single Point	87	Rice Lake	RLSB2L	CG-SB2L Alloy Steel Single Ended Beam	49
Rice Lake	RL1140	CG-40-SS Stainless Steel Single Point	90	Rice Lake	RLSB2M	CG-SB2M Alloy Steel Single Ended Beam	50
Rice Lake	RL1250	CG-50 Aluminum Single Point	91	Rice Lake	RLSBF	CG-SBF Alloy Steel Single Ended Beam	*
Rice Lake	RL1250	CG-50-SS Stainless Steel Single Point	92	Rice Lake	RLSCP1	CG-26S5 Stainless Steel Compression Canister	9
Rice Lake	RL1260	CG-50-1 Aluminum Single Point	93	Rice Lake	RLSP4	CG-42 Aluminum Single Point	87
Rice Lake	RL1380	CG-PWS Stainless Steel Single Point	81	Rice Lake	RLSSB	CG-SB3 Alloy/Stainless Steel Single Ended Beam	45
Rice Lake	RL1521A	CG-22 Aluminum Single Point	86	Rice Lake	RLSSB	CG-SSB Stainless Steel Single Ended Beam	47
Rice Lake	RL20000	CGSB-1 Alloy Steel S-Beam	28	Rice Lake	SB250	CG-SB250 Stainless Steel Single Ended Beam	33
Rice Lake	RL20000SS	CGSB-SS-1 Stainless Steel S-Beam	29	Rice Lake	SB2L	CG-SB2L Alloy Steel Single Ended Beam	49
Rice Lake	RL20001	CGSB Alloy Steel S-Beam	25	Scaime	AG	CG-42 Aluminum Single Point	87
Rice Lake	RL20001HE	CGSB-SSW Stainless Steel Welded S-Beam	27	Sensortronics	60001	CGSB Alloy Steel S-Beam	25
Rice Lake	RL30000	CG-23 (Threaded Hole) Alloy Steel Single Ended Beam	37	Sensortronics	60007	CG-BBS Stainless Steel Single Ended Beam	34
Rice Lake	RL30002	CG-23-1 (Through Hole) Alloy Steel Single Ended Beam	38	Sensortronics	60040	CG-60040 Stainless Steel Single Ended Beam	44
Rice Lake	RL30745	CG-745 Stainless Steel Single Ended Beam	52	Sensortronics	60050	CGSB-SS Stainless Steel S-Beam	26
Rice Lake	RL32011WB-L	CG-WB-SS Stainless Steel Single Ended Beam	57	Sensortronics	60051	CG-51 Stainless Steel Single Point	84
Rice Lake	RL32011WB-T	CG-WBL-SS Stainless Steel Single Ended Beam	58	Sensortronics	60058	CG-5103 Alloy Steel Double Ended Beam	66
Rice Lake	RL32155	CG-TB2 Stainless Steel Single Ended Beam	56	Sensortronics	60060	CG-50 Aluminum Single Point	91
Rice Lake	RL35023	CG-23 (Threaded Hole) Alloy Steel Single Ended Beam	37	Sensortronics	60063	CGSB-SSW Stainless Steel Welded S-Beam	27
Rice Lake	RL35023S	CG-23-SS Stainless Steel Single Ended Beam	39	Sensortronics	65016	CG-16 Alloy Steel Double Ended Beam	70

Manufacturer	Manufacturer Model #	CGS Part Number	Page #	Manufacturer	Manufacturer Model #	CGS Part Number	Page #
Sensortronics	65023	CG-23 (Threaded Hole) Alloy Steel Single Ended Beam	37	Toledo	715 Series	CG-23-SSW-02-C20 (2.00mV/v 20ft Common Cable)	41
Sensortronics	65083	CG-23-SSW-03-C20 (3.00mV/v 20ft Common Cable)	42	Toledo	715 Series	CG-23-SSW-02-T20 (2.00mV/v 20ft Teflon Cable)	41
Sensortronics	65094	CG-94 Alloy Steel Compression Canister	19	Toledo	0743	CG-743 Stainless Steel Single Ended Beam	51
Sensortronics	65114	CG-26S1-65114 Stainless Steel Rocker Column	3	Toledo	743	CG-SB2L Alloy Steel Single Ended Beam	49
Sensortronics	60048SS	CG-60048 Stainless Steel Single Point	85	Toledo	0782	CG-26S7 Stainless Steel Rocker Column	11
Sensortronics	65016A	CG-STR1 Alloy Steel Double Ended Beam	64	Toledo	790	CG-JRT Alloy Steel Torsion Ring	20
Sensortronics	65016A	CG-STR1-SSW Stainless Steel Welded Double Ended Beam	65	Toledo	0792	CG-16 Alloy Steel Double Ended Beam	70
Sensortronics	65016W	CG-16-SSW Stainless Steel Welded Double Ended Beam	71	Toledo	0793	CG-23-SSW-03-C20 (3.00mV/v 20ft Common Cable)	42
Sensortronics	65016WH	CG-16-SSW Stainless Steel Welded Double Ended Beam	71	Toledo	1110 Series	CG-TB2 Stainless Steel Single Ended Beam	56
Sensortronics	65023A-5507	CG-23-LP Stainless Steel Low Profile Single Ended Beam	43	Toledo	1178 Series	CG-TB2 Stainless Steel Single Ended Beam	56
Sensortronics	65023SS	CG-23-SS Stainless Steel Single Ended Beam	39	Toledo	2095 Platform	CG-TB2 Stainless Steel Single Ended Beam	56
Sensortronics	65040-1134	CG-80210 Alloy Steel Double Ended Beam	77	Toledo	2155 Base	CG-TB2 Stainless Steel Single Ended Beam	56
Sensortronics	65040A	CG-BE40 Alloy Steel Double Ended Beam	72	Toledo	2855 Base	CG-TB2 Stainless Steel Single Ended Beam	56
Sensortronics	65040A-XX-1127W	CG-5223 Alloy Steel Double Ended Beam	68	Toledo	04966 Series	CG-CP22 Stainless Steel Compression Canister	14
Sensortronics	65040S	CG-BE40-SSW Stainless Steel Welded Double Ended Beam *	*	Toledo	04967 Series	CG-CP22 Stainless Steel Compression Canister	14
Sensortronics	65058A	CG-58 Alloy Steel Double Ended Beam	73	Toledo	04968 Series	CG-CP22 Stainless Steel Compression Canister	14
Sensortronics	65061A	CG-STR1 Alloy Steel Double Ended Beam	64	Toledo	084759-020	CG-BLC-T Stainless Steel Single Ended Beam (Threaded)	60
Sensortronics	65061A	CG-STR1-SSW Stainless Steel Welded Double Ended Beam	65	Toledo	600862-035 50K	CG-JRT Alloy Steel Torsion Ring	20
Sensortronics	65083S	CG-23-SSW-02-C20 (2.00mV/v 20ft Common Cable)	41	Toledo	600864-035 100K	CG-JRT Alloy Steel Torsion Ring	20
Sensortronics	65083S	CG-23-SSW-02-T20 (2.00mV/v 20ft Teflon Cable)	41	Toledo	10011900A	CG-26S3 Stainless Steel Compression Canister	5
Sensortronics	65088-1000	CG-26S5 Stainless Steel Compression Canister	9	Toledo	10014900A	CG-26S3 Stainless Steel Compression Canister	5
SI	8300420-10R	CG-Lodec Alloy Steel Double Ended Beam	75	Toledo	1004400A	CG-31 Stainless Steel Tension/Compression Canister	21
SI Lodec	Lodec	CG-Lodec Alloy Steel Double Ended Beam	75	Toledo	10048X00A	CG-31 Stainless Steel Tension/Compression Canister	21
SLD	525	CG-16-SSW Stainless Steel Welded Double Ended Beam	71	Toledo	10049100A	CG-31 Stainless Steel Tension/Compression Canister	21
Sooner Scale	80210	CG-80210 Alloy Steel Double Ended Beam	77	Toledo	10049200A	CG-26S3 Stainless Steel Compression Canister	5
Streeter Amet	3751940	CG-175 Stainless Steel Compression Canister	8	Toledo	10049300A	CG-26S3 Stainless Steel Compression Canister	5
Streeter Amet	3752030	CG-175 Stainless Steel Compression Canister	8	Toledo	10049400A	CG-F1 Stainless Steel Single Ended Beam	*
Streeter Amet	3752040	CG-175 Stainless Steel Compression Canister	8	Toledo	11785600A	CG-TB2 Stainless Steel Single Ended Beam	56
Streeter Amet	3753070	CG-175 Stainless Steel Compression Canister	8	Toledo	11785700A	CG-TB2 Stainless Steel Single Ended Beam	56
Streeter Amet	3760XXX	CG-26S5 Stainless Steel Compression Canister	9	Toledo	11786900A	CG-TB2 Stainless Steel Single Ended Beam	56
Streeter Rich	2011611	CG-26S3 Stainless Steel Compression Canister	5	Toledo	11788500A	CG-TB2 Stainless Steel Single Ended Beam	56
Streeter Rich	2011612	CG-26S3 Stainless Steel Compression Canister	5	Toledo	12744300B	CG-TB2 Stainless Steel Single Ended Beam	56
Streeter Rich	2011613	CG-26S3 Stainless Steel Compression Canister	5	Toledo	13077500	CG-743 Stainless Steel Single Ended Beam	51
Streeter Rich	2011614	CG-26S3 Stainless Steel Compression Canister	5	Toledo	13078400	CG-743 Stainless Steel Single Ended Beam	51
Streeter Rich	2011617	CG-26S3 Stainless Steel Compression Canister	5	Toledo	13078900	CG-743 Stainless Steel Single Ended Beam	51
Streeter Rich	2011711	CG-21 Stainless Steel Tension/Compression Canister	21	Toledo	13136900	CG-743 Stainless Steel Single Ended Beam	51
Streeter Rich	2011712	CG-21 Stainless Steel Tension/Compression Canister	21	Toledo	1332900B	CG-SMB6-2 Alloy Steel Single Ended Beam	54
Streeter Rich	20117XX	CG-31 Stainless Steel Tension/Compression Canister	21	Toledo	13552100A	CG-BLC-C Stainless Steel Single Ended Beam w/Counter Bore	59
Tare	CP200	CG-26S5 Stainless Steel Compression Canister	9	Toledo	71201708 20t	CG-26S7 Stainless Steel Rocker Column	11
Tedea	355	CG-Z6 Stainless Steel Single Ended Beam	35	Toledo	71201709 30t	CG-26S7 Stainless Steel Rocker Column	11
Tedea	1010	CG-1010 Aluminum Single Point	80	Toledo	71201710 50t	CG-26S7 Stainless Steel Rocker Column	11
Tedea	1022	CG-22 Aluminum Single Point	86	Toledo	71201711 100t	CG-26S7 Stainless Steel Rocker Column	11
Tedea	1040	CG-40 Aluminum Single Point	89	Toledo	71208066 20K	CG-743 Stainless Steel Single Ended Beam	51
Tedea	1042	CG-42 Aluminum Single Point	87	Toledo	B10883600A	CG-CC22 Stainless Steel Compression Canister	13
Tedea	1130	CG-1130 Stainless Steel Single Point	98	Toledo	B10887700A	CG-CC22 Stainless Steel Compression Canister	13
Tedea	1140	CG-40-SS Stainless Steel Single Point	90	Toledo	F1	CG-F1 Stainless Steel Single Ended Beam	*
Tedea	1240	CG-1240 Stainless Steel Single Point	100	Toledo	KB200570	CG-31 Stainless Steel Tension/Compression Canister	21
Tedea	1241	CG-1241 Stainless Steel Single Point	99	Toledo	KN713700	CG-31 Stainless Steel Tension/Compression Canister	21
Tedea	1250	CG-50 Aluminum Single Point	91	Toledo	KN75066	CG-31 Stainless Steel Tension/Compression Canister	21
Tedea	1250	CG-50-SS Stainless Steel Single Point	92	Toledo	MT1041	CG-40 Aluminum Single Point	89
Tedea	1260	CG-50-1 Aluminum Single Point	93	Toledo	MT1260	CG-50-1 Aluminum Single Point	93
Tedea	1263	CG-50-2 Aluminum Single Point	94	Toledo	MTB	CG-Z6 Stainless Steel Single Ended Beam	35
Tedea	3410	CG-23-1 (Through Hole) Alloy Steel Single Ended Beam	38	Toledo	Railmaster 7200 Series	CG-F1 Stainless Steel Single Ended Beam	*
Tedea	3411	CG-23 (Threaded Hole) Alloy Steel Single Ended Beam	37	Toledo	SLD430	CG-5103 Alloy Steel Double Ended Beam	66
Tedea	4158	CG-58 Alloy Steel Double Ended Beam	73	Toledo	SLD525	CG-16 Alloy Steel Double Ended Beam	70
Tedea	1260S	CG-50-1 Aluminum Single Point	93	Toledo	SLD530	CG-5103-SSW Stainless Steel Welded Double Ended Beam	67
Thurman	10088970A 50K	CG-BLC-2 Alloy Steel Double Ended Beam	69	Toledo	SLP532	CG-1241 Stainless Steel Single Point	99
Thurman	TSC800	CG-5223 Alloy Steel Double Ended Beam	68	Toledo	TB600261 4000lb	CG-745 Stainless Steel Single Ended Beam	52
Thurman	TSC840	CG-BE40 Alloy Steel Double Ended Beam	72	Toledo	TB600342 2500lb	CG-745 Stainless Steel Single Ended Beam	52
Toledo	0713	CG-23-SS Stainless Steel Single Ended Beam	39				

Manufacturer	Manufacturer Model #	CGS Part Number	Page #	Manufacturer	Manufacturer Model #	CGS Part Number	Page #
Toledo	TB600343 5000lb	CG-745 Stainless Steel Single Ended Beam	52	Tufner	T303	CG-50 Aluminum Single Point	91
Toledo	TB600363 1250lb	CG-745 Stainless Steel Single Ended Beam	52	Tufner	T304	CG-50-1 Aluminum Single Point	93
Toledo	TB600364 10000lb	CG-745 Stainless Steel Single Ended Beam	52	Tufner	T305	CG-50-2 Aluminum Single Point	94
Toledo	TB600529 500lb	CG-745 Stainless Steel Single Ended Beam	52	Tufner	T308	CG-FLS Stainless Steel Single Point	97
Toledo	TB600531 2.5K	CG-23-SSW-02-C20 (2.00mV/v 20ft Common Cable)	41	Tufner	T310	CG-23 (Threaded Hole) Alloy Steel Single Ended Beam	37
Toledo	TB600531 2.5K	CG-23-SSW-02-T20 (2.00mV/v 20ft Teflon Cable)	41	Tufner	T310-SSW	CG-23-SSW-03-C20 (3.00mV/v 20ft Common Cable)	42
Toledo	TB601016-008 2500lb	CG-23-SSW-03-C20 (3.00mV/v 20ft Common Cable)	42	Tufner	T313	CG-16 Alloy Steel Double Ended Beam	70
Toledo	TB601016-008 2500lb	CG-23-SSW-03-T20 (3.00mV/v 20ft Teflon Cable)	42	Tufner	T314	CG-SLS Alloy Steel Double Ended Beam	76
Toledo	TB601016-020 1000lb	CG-23-SSW-03-C20 (3.00mV/v 20ft Common Cable)	42	Tufner	T315	CG-175 Stainless Steel Compression Canister	8
Toledo	TB601016-020 1000lb	CG-23-SSW-03-T20 (3.00mV/v 20ft Teflon Cable)	42	Tufner	T316	CG-LC22 Alloy Steel Single Ended Beam	36
Toledo	TB601017-020 4000lb	CG-23-SSW-03-C20 (3.00mV/v 20ft Common Cable)	42	Tufner	T316-SSW	CG-LC22 Alloy Steel Single Ended Beam	36
Toledo	TB601017-020 4000lb	CG-23-SSW-03-T20 (3.00mV/v 20ft Teflon Cable)	42	Tufner	T320	CG-5103 Alloy Steel Double Ended Beam	66
Toledo	TB601018-008 5000lb	CG-23-SSW-03-C20 (3.00mV/v 20ft Common Cable)	42	Tufner	T321	CG-26S Stainless Steel Compression Rocker Column	1
Toledo	TB601018-008 5000lb	CG-23-SSW-03-T20 (3.00mV/v 20ft Teflon Cable)	42	Tufner	T325	CG-26S4 Stainless Steel Compression Canister	7
Toledo	TB601019-008 500lb	CG-23-SSW-03-T20 (3.00mV/v 20ft Teflon Cable)	42	Tufner	T334	CG-SB250 Stainless Steel Single Ended Beam	33
Totalcomp	GDE03	CG-5103 Alloy Steel Double Ended Beam	66	Tufner	T335	CG-Z6 Stainless Steel Single Ended Beam	35
Totalcomp	GDE16	CG-16 Alloy Steel Double Ended Beam	70	Tufner	T337	CG-WB-SS Stainless Steel Single Ended Beam	57
Totalcomp	GDE23	CG-5223 Alloy Steel Double Ended Beam	68	Tufner	T339	CG-STR Alloy Steel Double Ended Beam	63
Totalcomp	T1241	CG-1241 Stainless Steel Single Point	99	Tufner	T342	CG-5223 Alloy Steel Double Ended Beam	68
Totalcomp	T42	CG-TC42 Stainless Steel Tension/Compression Canister	22	Tufner	T343	CG-BE40 Alloy Steel Double Ended Beam	72
Totalcomp	T43	CG-TC43 Stainless Steel Tension/Compression Canister	22	Tufner	T345	CG-DB50000S Stainless Steel Welded Double Ended Beam	74
Totalcomp	T496	CG-CP22 Stainless Steel Compression Canister	14	Tufner	T350	CG-58 Alloy Steel Double Ended Beam	73
Totalcomp	T62	CG-62 Stainless Steel Tension/Compression Canister	23	Tufner	T353	CG-BLC-2 Alloy Steel Double Ended Beam	69
Totalcomp	T63	CG-63 Tension/Compression Canister	23	Tufner	T370-SSW	CG-BLC-C Stainless Steel Single Ended Beam w/Counter Bore	59
Totalcomp	T752	CG-CC22 Stainless Steel Compression Canister	13	Unibridge	DL90000	CG-5223 Alloy Steel Double Ended Beam	68
Totalcomp	T92	CG-92 Stainless Steel Compression Canister	12	Vishay	65029	CG-65029	*
Totalcomp	T93	CG-93 Stainless Steel Compression Canister	12	Weigh-Tronix	3270 Series Checkweigher	CG-MK21 Stainless Steel Single Point	96
Totalcomp	TB743	CG-743 Stainless Steel Single Ended Beam	51	Weigh-Tronix	49098	CG-FLS Stainless Steel Single Point	97
Totalcomp	TB745	CG-745 Stainless Steel Single Ended Beam	52	Weigh-Tronix	49100	CG-FLS Stainless Steel Single Point	97
Totalcomp	TBM4	CG-SB2L Alloy Steel Single Ended Beam	49	Weigh-Tronix	13498-01257 5K	CG-WB-SS Stainless Steel Single Ended Beam	57
Totalcomp	TBM4	CG-SMB6 Alloy Steel Single Ended Beam	53	Weigh-Tronix	13851-0078 10K	CG-WB-SS 10K Stainless Steel Single Ended Beam	57
Totalcomp	TBM42	CG-SB2M Alloy Steel Single Ended Beam	50	Weigh-Tronix	17257-0129 5K	CG-WB-SS 5K Stainless Steel Single Ended Beam	57
Totalcomp	TBM42	CG-SMB6-2 Alloy Steel Single Ended Beam	54	Weigh-Tronix	18561-0029	CG-WBM Alloy Steel Double Ended Beam	78
Totalcomp	TBMK	CG-MK15 Stainless Steel Single Ended Beam	*	Weigh-Tronix	41035-0029 1.25K	CG-WBL Stainless Steel Single Ended Beam	58
Totalcomp	TC3P1	CG-31 Stainless Steel Tension/Compression Canister	21	Weigh-Tronix	41035-1027 1.25K	CG-WBL Stainless Steel Single Ended Beam	58
Totalcomp	TC-CP21	CG-26S3 Stainless Steel Compression Canister	5	Weigh-Tronix	41036-1057 2.5K	CG-WBL Stainless Steel Single Ended Beam	58
Totalcomp	TC-CP21-1000	CG-26S3-10 Stainless Steel Compression Canister	6	Weigh-Tronix	FLS	CG-FLS Stainless Steel Single Point	97
Totalcomp	TCP1	CG-175 Stainless Steel Compression Canister	8	Weigh-Tronix	Mark IV	CG-MK4 Stainless Steel Single Point	95
Totalcomp	TCSCA	CG-26S Stainless Steel Compression Rocker Column	1	Weigh-Tronix	Mark V	CG-60048 Stainless Steel Single Point	85
Totalcomp	TCSP1	CG-26S5 Stainless Steel Compression Canister	9	Weigh-Tronix	MK29	CG-1130 Stainless Steel Single Point	98
Totalcomp	TDE03	CG-5103 Alloy Steel Double Ended Beam	66	Weigh-Tronix	WBM	CG-WBM Alloy Steel Double Ended Beam	78
Totalcomp	TDE16	CG-16 Alloy Steel Double Ended Beam	70	Weigh-Tronix	WBT Series Chainlink Style	CG-WB-SS Stainless Steel Single Ended Beam	57
Totalcomp	TDE23	CG-5223 Alloy Steel Double Ended Beam	68	Weigh-Tronix	Weightbar	CG-WB-SS Stainless Steel Single Ended Beam	57
Totalcomp	TDE40	CG-BE40 Alloy Steel Double Ended Beam	72	Weigh-Tronix	MLK29	CG-1130 Stainless Steel Single Point	98
Totalcomp	TDE58	CG-58 Alloy Steel Double Ended Beam	73	Zemic	B6N	CG-40-SS Stainless Steel Single Point	90
Totalcomp	TP40-A	CG-40 Aluminum Single Point	89	Zemic	B6Q	CG-1240-SS Stainless Steel Single Point	100
Totalcomp	TP40-SS	CG-40-SS Stainless Steel Single Point	90	Zemic	B8D	CG-23-SS Stainless Steel Single Ended Beam	39
Totalcomp	TSB	CG-23 (Threaded Hole) Alloy Steel Single Ended Beam	37	Zemic	B9N	CG-58 Alloy Steel Double Ended Beam	73
Totalcomp	TT2P1	CG-21 Stainless Steel Tension/Compression Canister	21	Zemic	BM14A	CG-26S5 Stainless Steel Compression Canister	9
Totalcomp	TUSP1	CG-33 Tension/Compression Canister	24	Zemic	BM6A	CG-HPS Stainless Steel Single Point	101
Totalcomp	TZ6	CG-Z6 Stainless Steel Single Ended Beam	35	Zemic	H8C	CG-23 Alloy Steel Single Ended Beam	37
Transcell	DBS	CG-16 Alloy Steel Double Ended Beam	70	Zemic	H9C	CG-5103 Alloy Steel Double Ended Beam	66
Transcell	FAS	CG-40 Aluminum Single Point	89	Zemic	H9D	CG-16 Alloy Steel Double Ended Beam	70
Transcell	FAV	CG-50-2 Aluminum Single Point	94	Zemic	HM9E	CG-5223 Alloy Steel Double Ended Beam	68
Transcell	FAY	CG-50 Aluminum Single Point	91	Zemic	L6G	CG-50-2 Aluminum Single Point	94
Transcell	FAY	CG-50-SS Stainless Steel Single Point	92	Zemic	L6N	CG-40 Aluminum Single Point	89
Transcell	SBS	CG-23 (Threaded Hole) Alloy Steel Single Ended Beam	37	Zemic	L6Q	CG-1241 Stainless Steel Single Point	99
TSC	800	CG-5223 Alloy Steel Double Ended Beam	68	Zemic	L6W	CG-50-1 Aluminum Single Point	93





Manufacturer Model #	Manufacturer	CGS Part Number	Page #	Manufacturer Model #	Manufacturer	CGS Part Number	Page #
04966 Series	Toledo	CG-CP22 Stainless Steel Compression Canister	14	11786900A	Toledo	CG-TB2 Stainless Steel Single Ended Beam	56
04967 Series	Toledo	CG-CP22 Stainless Steel Compression Canister	14	11788500A	Toledo	CG-TB2 Stainless Steel Single Ended Beam	56
04968 Series	Toledo	CG-CP22 Stainless Steel Compression Canister	14	1210	Interface	CG-1210 Tension/Compression Stainless Steel Canister	*
0713	Toledo	CG-23-SS Stainless Steel Single Ended Beam	39	1211	Interface	CG-1211 Stainless Steel Compression Canister	18
0743	Toledo	CG-743 Stainless Steel Single Ended Beam	51	1240	Tedea	CG-1240 Stainless Steel Single Point	100
0782	Toledo	CG-26S7 Stainless Steel Rocker Column	11	1241	Tedea	CG-1241 Stainless Steel Single Point	99
0792	Toledo	CG-16 Alloy Steel Double Ended Beam	70	1250	Tedea	CG-50 Aluminum Single Point	91
0793	Toledo	CG-23-SSW-03-C20 (3.00mV/v 20ft Common Cable)	42	1250	Tedea	CG-50-SS Stainless Steel Single Point	92
084759-020	Toledo	CG-BLC-T Stainless Steel Single Ended Beam (Threaded)	60	1260	Tedea	CG-50-1 Aluminum Single Point	93
10011900A	Toledo	CG-26S3 Stainless Steel Compression Canister	5	1263	Tedea	CG-50-2 Aluminum Single Point	94
10014900A	Toledo	CG-26S3 Stainless Steel Compression Canister	5	1260S	Tedea	CG-50-1 Aluminum Single Point	93
1004400A	Toledo	CG-31 Stainless Steel Tension/Compression Canister	21	12744300B	Toledo	CG-TB2 Stainless Steel Single Ended Beam	56
10048X00A	Toledo	CG-31 Stainless Steel Tension/Compression Canister	21	13077500	Toledo	CG-743 Stainless Steel Single Ended Beam	51
10049100A	Toledo	CG-31 Stainless Steel Tension/Compression Canister	21	13078400	Toledo	CG-743 Stainless Steel Single Ended Beam	51
10049200A	Toledo	CG-26S3 Stainless Steel Compression Canister	5	13078900	Toledo	CG-743 Stainless Steel Single Ended Beam	51
10049300A	Toledo	CG-26S3 Stainless Steel Compression Canister	5	13136900	Toledo	CG-743 Stainless Steel Single Ended Beam	51
10049400A	Toledo	CG-F1 Stainless Steel Single Ended Beam	*	1332900B	Toledo	CG-SMB6-2 Alloy Steel Single Ended Beam	54
10088970A 50K	Thurman	CG-BLC-2 Alloy Steel Double Ended Beam	69	13498-01257 5K	Weigh-Tronix	CG-WB-SS Stainless Steel Single Ended Beam	57
1010	Tedea	CG-1010 Aluminum Single Point	80	13552100A	Toledo	CG-BLC-C Stainless Steel Single Ended Beam w/Counter Bore	59
101BS	Anyload	CGSB-SSW Stainless Steel Welded S-Beam	27	13851-0078 10K	Weigh-Tronix	CG-WB-SS 10K Stainless Steel Single Ended Beam	57
101NH	Anyload	CGSB Alloy Steel S-Beam	25	17257-0129 5K	Weigh-Tronix	CG-WB-SS 5K Stainless Steel Single Ended Beam	57
101NSGS	Anyload	CGSB-SS Stainless Steel S-Beam	26	18561-0029	Weigh-Tronix	CG-WBM Alloy Steel Double Ended Beam	78
1022	Tedea	CG-22 Aluminum Single Point	86	2011611	Streeter Rich	CG-26S3 Stainless Steel Compression Canister	5
102BH	Anyload	CG-58 Alloy Steel Double Ended Beam	73	2011612	Streeter Rich	CG-26S3 Stainless Steel Compression Canister	5
102DH	Anyload	CG-5103 Alloy Steel Double Ended Beam	66	2011613	Streeter Rich	CG-26S3 Stainless Steel Compression Canister	5
102EH	Anyload	CG-16 Alloy Steel Double Ended Beam	70	2011614	Streeter Rich	CG-26S3 Stainless Steel Compression Canister	5
102EHEL	Anyload	CG-STR Alloy Steel Double Ended Beam	63	2011617	Streeter Rich	CG-26S3 Stainless Steel Compression Canister	5
102ES	Anyload	CG-16-SSW Stainless Steel Welded Double Ended Beam	71	2011711	Streeter Rich	CG-21 Stainless Steel Tension/Compression Canister	21
102FS	Anyload	CG-DB50000S Stainless Steel Welded Double Ended Beam	74	2011712	Streeter Rich	CG-21 Stainless Steel Tension/Compression Canister	21
102RH	Anyload	CG-5223 Alloy Steel Double Ended Beam	68	20117XX	Streeter Rich	CG-31 Stainless Steel Tension/Compression Canister	21
102TH	Anyload	CG-BE40 Alloy Steel Double Ended Beam	72	20210	Artech	CGSB-1 Alloy Steel S-Beam	28
1040	Tedea	CG-40 Aluminum Single Point	89	20908XXX	Howe Rich	CG-175 Stainless Steel Compression Canister	8
1042	Tedea	CG-42 Aluminum Single Point	87	2095 Platform	Toledo	CG-TB2 Stainless Steel Single Ended Beam	56
106CS	Anyload	CG-175 Stainless Steel Compression Canister	8	2155 Base	Toledo	CG-TB2 Stainless Steel Single Ended Beam	56
106CS20	Anyload	CG-26S5 Stainless Steel Compression Canister	9	244699-000X	Howe Rich	CG-26S5 Stainless Steel Compression Canister	9
106DH	Anyload	CG-94 Alloy Steel Compression Canister	19	2855 Base	Toledo	CG-TB2 Stainless Steel Single Ended Beam	56
106ES	Anyload	CG-26S Stainless Steel Compression Rocker Column	1	3-38054-X	Fairbanks	CG-31 Stainless Steel Tension/Compression Canister	21
106HS	Anyload	CG-26S4 Stainless Steel Compression Canister	7	3-38065-X	Fairbanks	CG-26S3 Stainless Steel Compression Canister	5
106KS	Anyload	CG-CC22 Stainless Steel Compression Canister	13	3-38066-X	Fairbanks	CG-26S3 Stainless Steel Compression Canister	5
106PS	Anyload	CG-93 Stainless Steel Compression Canister	12	3-39897-X	Fairbanks	CG-31 Stainless Steel Tension/Compression Canister	21
106PS20	Anyload	CG-92 Stainless Steel Compression Canister	12	3-40766-X	Fairbanks	CG-31 Stainless Steel Tension/Compression Canister	21
106RS	Anyload	CG-26S6 Stainless Steel Compression Rocker Column	10	3-43076-1	Fairbanks	CG-26S3-10 Stainless Steel Compression Canister	6
106TS	Anyload	CG-26S7 Stainless Steel Rocker Column	11	3-43076-2	Fairbanks	CG-26S3-10 Stainless Steel Compression Canister	6
108AUN	Anyload	CG-50 Aluminum Single Point	91	3-43076-3	Fairbanks	CG-26S3-10 Stainless Steel Compression Canister	6
108BA	Anyload	CG-22 Aluminum Single Point	86	3-481XX-1	Fairbanks	CG-BBS Stainless Steel Single Ended Beam	34
108CA	Anyload	CG-50-2 Aluminum Single Point	94	3-48363-1A	Fairbanks	CG-SBF Alloy Steel Single Ended Beam	*
108KSUN	Anyload	CG-1130 Stainless Steel Single Point	98	3-48424-X	Fairbanks	CG-SBF Alloy Steel Single Ended Beam	*
108MAUN	Anyload	CG-50-1 Aluminum Single Point	93	3-486XX-1	Fairbanks	CG-BBS Stainless Steel Single Ended Beam	34
108QS	Anyload	CG-SPL Aluminum Single Point	82	3-52921-1	Fairbanks	CG-BLF Alloy Steel Single Ended Beam	62
108QSFL	Anyload	CG-FLS Stainless Steel Single Point	97	3-53581-X	Fairbanks	CG-BLF Alloy Steel Single Ended Beam	62
108TAUN	Anyload	CG-42 Aluminum Single Point	87	3-54786-1	Fairbanks	CG-23-SSW-03-T20 (3.00mV/v 20ft Teflon Cable)	42
108TSL	Anyload	CG-PWS Stainless Steel Single Point	81	3-54786-1	Fairbanks	CG-23-SSW-03-C20 (3.00mV/v 20ft Common Cable)	42
108TSST	Anyload	CG-51 Stainless Steel Single Point	84	3-55176-1	Fairbanks	CG-FB Aluminum Single Point	79
108TSVS	Anyload	CG-60048 Stainless Steel Single Point	85	3-55383-2	Fairbanks	CG-FB Aluminum Single Point	79
1110 Series	Toledo	CG-TB2 Stainless Steel Single Ended Beam	56	30210	Artech	CG-23-1 (Through Hole) Alloy Steel Single Ended Beam	38
1130	Tedea	CG-1130 Stainless Steel Single Point	98	30310	Artech	CG-23 (Threaded Hole) Alloy Steel Single Ended Beam	37
1140	Tedea	CG-40-SS Stainless Steel Single Point	90	30315	Artech	CG-23-LP Stainless Steel Low Profile Single Ended Beam	43
1178 Series	Toledo	CG-TB2 Stainless Steel Single Ended Beam	56	30410	Artech	CG-30410 Alloy Steel Single Ended Shear Beam	*
11785600A	Toledo	CG-TB2 Stainless Steel Single Ended Beam	56	3270	Checkweigher	CG-MK21 Stainless Steel Single Point	96
11785700A	Toledo	CG-TB2 Stainless Steel Single Ended Beam	56				

Manufacturer Model #	Manufacturer	CGS Part Number	Page #	Manufacturer Model #	Manufacturer	CGS Part Number	Page #
3270 Series Checkweigher	NCI	CG-MK21 Stainless Steel Single Point	96	60610	Artech	CG-60610 Alloy Steel Single Point	*
3270 Series Checkweigher	Weigh-Tronix	CG-MK21 Stainless Steel Single Point	96	61022	Artech	CG-22 Aluminum Single Point	86
3410	Tedea	CG-23-1 (Through Hole) Alloy Steel Single Ended Beam	38	62HU	Revere	CG-62 Stainless Steel Tension/Compression Canister	23
3411	Tedea	CG-23 (Threaded Hole) Alloy Steel Single Ended Beam	37	63HU	Revere	CG-63 Tension/Compression Canister	23
355	Tedea	CG-Z6 Stainless Steel Single Ended Beam	35	63951	Fairbanks	CG-26S1-65114 Stainless Steel Rocker Column	3
363	Revere	CGSB-1 Alloy Steel S-Beam	28	64166	Fairbanks	CG-26S1 Stainless Steel Compression Rocker Column	2
3751940	Streeter Amet	CG-175 Stainless Steel Compression Canister	8	642	Revere	CG-42 Aluminum Single Point	87
3752030	Streeter Amet	CG-175 Stainless Steel Compression Canister	8	65016	Sensortronics	CG-16 Alloy Steel Double Ended Beam	70
3752040	Streeter Amet	CG-175 Stainless Steel Compression Canister	8	65023	Sensortronics	CG-23 (Threaded Hole) Alloy Steel Single Ended Beam	37
3753070	Streeter Amet	CG-175 Stainless Steel Compression Canister	8	65029	Vishay	CG-65029	*
3760XXX	Streeter Amet	CG-26S5 Stainless Steel Compression Canister	9	65083	Sensortronics	CG-23-SSW-03-C20 (3.00mV/v 20ft Common Cable)	42
392B	Revere	CG-175 Stainless Steel Compression Canister	8	65094	Sensortronics	CG-94 Alloy Steel Compression Canister	19
39516	Rice Lake	CG-58 Alloy Steel Double Ended Beam	73	65016A	Sensortronics	CG-STR1 Alloy Steel Double Ended Beam	64
40310	Artech	CG-BBS Stainless Steel Single Ended Beam	34	65016A	Sensortronics	CG-STR1-SSW Stainless Steel Welded Double Ended Beam	65
41035-0029 1.25K	Weigh-Tronix	CG-WBL Stainless Steel Single Ended Beam	58	65016W	Sensortronics	CG-16-SSW Stainless Steel Welded Double Ended Beam	71
41035-1027 1.25K	Weigh-Tronix	CG-WBL Stainless Steel Single Ended Beam	58	65016WH	Sensortronics	CG-16-SSW Stainless Steel Welded Double Ended Beam	71
41036-1057 2.5K	Weigh-Tronix	CG-WBL Stainless Steel Single Ended Beam	58	65023A-5507	Sensortronics	CG-23-LP Stainless Steel Low Profile Single Ended Beam	43
4158	Tedea	CG-58 Alloy Steel Double Ended Beam	73	65023SS	Sensortronics	CG-23-SS Stainless Steel Single Ended Beam	39
42U	Revere	CG-TC42 Stainless Steel Tension/Compression Canister	22	65040-1134	Sensortronics	CG-80210 Alloy Steel Double Ended Beam	77
4211	Revere	CG-TC42 Stainless Steel Tension/Compression Canister	22	65040A	Sensortronics	CG-BE40 Alloy Steel Double Ended Beam	72
43U	Revere	CG-TC43 Stainless Steel Tension/Compression Canister	22	65040A-XX-1127W	Sensortronics	CG-5223 Alloy Steel Double Ended Beam	68
4311	Revere	CG-TC43 Stainless Steel Tension/Compression Canister	22	65040S	Sensortronics	CG-BE40-SSW Stainless Steel Welded Double Ended Beam	*
49098	Weigh-Tronix	CG-FLS Stainless Steel Single Point	97	65058A	Sensortronics	CG-58 Alloy Steel Double Ended Beam	73
4900 Series	Fairbanks	CG-22 Aluminum Single Point	86	65061A	Sensortronics	CG-STR1 Alloy Steel Double Ended Beam	64
49100	Weigh-Tronix	CG-FLS Stainless Steel Single Point	97	65061A	Sensortronics	CG-STR1-SSW Stainless Steel Welded Double Ended Beam	65
50210	Artech	CG-60040 Stainless Steel Single Ended Beam	44	65083S	Sensortronics	CG-23-SSW-02-C20 (2.00mV/v 20ft Common Cable)	41
5103	Revere	CG-5103 Alloy Steel Double Ended Beam	66	65083S	Sensortronics	CG-23-SSW-02-T20 (2.00mV/v 20ft Teflon Cable)	41
5123	Revere	CG-23 (Threaded Hole) Alloy Steel Single Ended Beam	37	65088-1000	Sensortronics	CG-26S5 Stainless Steel Compression Canister	9
5203	Revere	CG-16 Alloy Steel Double Ended Beam	70	65114	Sensortronics	CG-26S1-65114 Stainless Steel Rocker Column	3
5223	Revere	CG-5223 Alloy Steel Double Ended Beam	68	651AA	Anyload	CG-1010 Aluminum Single Point	80
525	SLD	CG-16-SSW Stainless Steel Welded Double Ended Beam	71	651KS55UN	Anyload	CG-50-1 Aluminum Single Point	93
5303	Revere	CG-58 Alloy Steel Double Ended Beam	73	651TAUN	Anyload	CG-40 Aluminum Single Point	89
5503	Revere	CG-60040 Stainless Steel Single Ended Beam	44	652	Revere	CG-50 Aluminum Single Point	91
563RS	Anyload	CG-Z6 Stainless Steel Single Ended Beam	35	652	Revere	CG-50-SS Stainless Steel Single Point	92
563WS	Anyload	CG-WB-SS Stainless Steel Single Ended Beam	57	657090	Fairbanks	CG-21 Stainless Steel Tension/Compression Canister	21
563WS30	Anyload	CG-WB-SS Stainless Steel Single Ended Beam	57	657091	Fairbanks	CG-21 Stainless Steel Tension/Compression Canister	21
563YH	Anyload	CG-23 (Threaded Hole) Alloy Steel Single Ended Beam	37	692B	Revere	CG-26S5 Stainless Steel Compression Canister	9
563YHMS	Anyload	CG-SB2L Alloy Steel Single Ended Beam	49	70210	Artech	CG-5103 Alloy Steel Double Ended Beam	66
563YHMS	Anyload	CG-SB2M Alloy Steel Single Ended Beam	50	70310	Artech	CG-58 Alloy Steel Double Ended Beam	73
563YHRT	Anyload	CG-30410 Alloy Steel Single Ended Shear Beam	*	70510	Artech	CG-16 Alloy Steel Double Ended Beam	70
563YS	Anyload	CG-23-SSW-02-C20 (2.00mV/v 20ft Common Cable)	41	70510 30T	Fairbanks	CG-26S6 Stainless Steel Compression Rocker Column	10
563YS30	Anyload	CG-23-SSW-03-C20 (3.00mV/v 20ft Common Cable)	42	71201708 20t	Toledo	CG-26S7 Stainless Steel Rocker Column	11
563YSLB	Anyload	CG-HMT Stainless Steel Single Ended Beam	55	71201709 30t	Toledo	CG-26S7 Stainless Steel Rocker Column	11
563YSLF	Anyload	CG-BLF Alloy Steel Single Ended Beam	62	71201710 50t	Toledo	CG-26S7 Stainless Steel Rocker Column	11
563YSMT	Anyload	CG-745 Stainless Steel Single Ended Beam	52	71201711 100t	Toledo	CG-26S7 Stainless Steel Rocker Column	11
563YSRS	Anyload	CG-SB3 Alloy/Stainless Steel Single Ended Beam	45	71208066 20K	Toledo	CG-743 Stainless Steel Single Ended Beam	51
563YSSB	Anyload	CG-SB250 Stainless Steel Single Ended Beam	33	715 Series	Toledo	CG-23-SSW-02-C20 (2.00mV/v 20ft Common Cable)	41
60001	Sensortronics	CGSB Alloy Steel S-Beam	25	715 Series	Toledo	CG-23-SSW-02-T20 (2.00mV/v 20ft Teflon Cable)	41
60007	Sensortronics	CG-BBS Stainless Steel Single Ended Beam	34	743	Toledo	CG-SB2L Alloy Steel Single Ended Beam	49
60040	Sensortronics	CG-60040 Stainless Steel Single Ended Beam	44	743A	Toledo	CG-743 Stainless Steel Single Ended Beam	51
60050	Sensortronics	CGSB-SS Stainless Steel S-Beam	26	745 Mount	Toledo	CG-745 Stainless Steel Single Ended Beam	52
60051	Sensortronics	CG-51 Stainless Steel Single Point	84	790	Toledo	CG-JRT Alloy Steel Torsion Ring	20
60058	Sensortronics	CG-5103 Alloy Steel Double Ended Beam	66	792	Revere	CG-26S3 Stainless Steel Compression Canister	5
60060	Sensortronics	CG-50 Aluminum Single Point	91	800	TSC	CG-5223 Alloy Steel Double Ended Beam	68
60063	Sensortronics	CGSB-SSW Stainless Steel Welded S-Beam	27	80210	Sooner Scale	CG-80210 Alloy Steel Double Ended Beam	77
60048SS	Sensortronics	CG-60048 Stainless Steel Single Point	85	80210	Artech	CG-5223 Alloy Steel Double Ended Beam	68
600862-035 50K	Toledo	CG-JRT Alloy Steel Torsion Ring	20	80310	Artech	CG-BE40 Alloy Steel Double Ended Beam	72
600864-035 100K	Toledo	CG-JRT Alloy Steel Torsion Ring	20	80453 100K	Fairbanks	CG-26S6 Stainless Steel Compression Rocker Column	10
60410	Artech	CG-50 Aluminum Single Point	91	8300420-10R	SI	CG-Lodec Alloy Steel Double Ended Beam	75
60410	Artech	CG-50-SS Stainless Steel Single Point	92	879	Artech	CG-42 Aluminum Single Point	87

Manufacturer Model #	Manufacturer	CGS Part Number	Page #	Manufacturer Model #	Manufacturer	CGS Part Number	Page #
90210	Artech	CG-175 Stainless Steel Compression Canister	8	CP1	Cardinal	CG-175 Stainless Steel Compression Canister	8
90310	Artech	CG-26S5 Stainless Steel Compression Canister	9	CP200	Tare	CG-26S5 Stainless Steel Compression Canister	9
90405	Artech	CG-26S3 Stainless Steel Compression Canister	5	CSB	Celtron	CG-5103 Alloy Steel Double Ended Beam	66
90510	Artech	CG-62 Stainless Steel Tension/Compression Canister	23	CSP	Revere	CG-26S5 Stainless Steel Compression Canister	9
90510	Artech	CG-TC42 Stainless Steel Tension/Compression Canister	22	CSP1	Revere	CG-26S5 Stainless Steel Compression Canister	9
90515	Artech	CG-TC43 Stainless Steel Tension/Compression Canister	22	DB35000S	Cardinal	CG-DB50000S Stainless Steel Welded Double Ended Beam	74
90814	Fairbanks	CG-STR1-SSW Stainless Steel Welded Double Ended Beam	65	DB50000S	Cardinal	CG-DB50000S Stainless Steel Welded Double Ended Beam	74
90814 40K	Fairbanks	CG-STR1 Alloy Steel Double Ended Beam	64	DB75000S	Cardinal	CG-DB50000S Stainless Steel Welded Double Ended Beam	74
90814 40K	Fairbanks	CG-STR1-SSW Stainless Steel Welded Double Ended Beam	65	DBS	Transcell	CG-16 Alloy Steel Double Ended Beam	70
9103	Revere	CG-5103-SSW Stainless Steel Welded Double Ended Beam	67	DL90000	Unibridge	CG-5223 Alloy Steel Double Ended Beam	68
91088 50K	Fairbanks	CG-STR1 Alloy Steel Double Ended Beam	64	DLB	Celtron	CG-BE40 Alloy Steel Double Ended Beam	72
91088 50K	Fairbanks	CG-STR1-SSW Stainless Steel Welded Double Ended Beam	65	DSR	Celtron	CG-16 Alloy Steel Double Ended Beam	70
9123	Revere	CG-23-SS Stainless Steel Single Ended Beam	39	DSR HSS	Celtron	CG-16-SSW Stainless Steel Welded Double Ended Beam	71
9123	Revere	CG-23-SSW-03-C20 (3.00mV/v 20ft Common Cable)	42	F1	Toledo	CG-F1 Stainless Steel Single Ended Beam	*
92	Revere	CG-92 Stainless Steel Compression Canister	12	FAS	Transcell	CG-40 Aluminum Single Point	89
9203	Revere	CG-16-SSW Stainless Steel Welded Double Ended Beam	71	FAV	Transcell	CG-50-2 Aluminum Single Point	94
93	Revere	CG-93 Stainless Steel Compression Canister	12	FAY	Transcell	CG-50 Aluminum Single Point	91
9323	Revere	CG-BE40 50KSE ~ 75KSE Alloy Double Ended Beam	72	FAY	Transcell	CG-50-SS Stainless Steel Single Point	92
9363	Revere	CGSB-SS-1 Stainless Steel S-Beam	29	FLS	Weigh-Tronix	CG-FLS Stainless Steel Single Point	97
9423	Revere	CG-80210 Alloy Steel Double Ended Beam (no load pin hole)	77	GDE03	Totalcomp	CG-5103 Alloy Steel Double Ended Beam	66
9503	Revere	CG-60040 Stainless Steel Single Ended Beam	44	GDE16	Totalcomp	CG-16 Alloy Steel Double Ended Beam	70
9803	Revere	CG-BLC-2 Alloy Steel Double Ended Beam	69	GDE23	Totalcomp	CG-5223 Alloy Steel Double Ended Beam	68
9903	Revere	CG-BE40 50KLE - 75KLE Alloy Double Ended Beam	72	GF4	Accuweigh	CG-58 Alloy Steel Double Ended Beam	73
A35	HBM	CG-23 (Threaded Hole) Alloy Steel Single Ended Beam	37	H35	HBM	CG-23-SSW-03-C20 (3.00mV/v 20ft Common Cable)	42
AG	Scaime	CG-42 Aluminum Single Point	87	H35	HBM	CG-23-SSW-03-T20 (3.00mV/v 20ft Teflon Cable)	42
ASC	Revere	CG-26S4 Stainless Steel Compression Canister (15t to 40t)	7	H8C	Zemic	CG-23 Alloy Steel Single Ended Beam	37
AW900 (50Kse)	Airweigh	CG-80210 Alloy Steel Double Ended Beam	77	H9C	Zemic	CG-5103 Alloy Steel Double Ended Beam	66
AW900	Airweigh	CG-BE40 Alloy Steel Double Ended Beam	72	H9D	Zemic	CG-16 Alloy Steel Double Ended Beam	70
AW900B (60Kse)	Airweigh	CG-80210 Alloy Steel Double Ended Beam	77	HBB	Celtron	CG-Z6 Stainless Steel Single-Ended Beam	35
B10883600A	Toledo	CG-CC22 Stainless Steel Compression Canister	13	HDD	Cardinal	CG-26S Stainless Steel Compression Rocker Column	1
B10887700A	Toledo	CG-CC22 Stainless Steel Compression Canister	13	HM9E	Zemic	CG-5223 Alloy Steel Double Ended Beam	68
B35	HBM	CG-23-SS Stainless Steel Single Ended Beam	39	HPS	Revere	CG-HPS Stainless Steel Single Point	101
B6N	Zemic	CG-40-SS Stainless Steel Single Point	90	JRT	HBM	CG-JRT Alloy Steel Torsion Ring	20
B6Q	Zemic	CG-1240-SS Stainless Steel Single Point	100	KB200570	Toledo	CG-31 Stainless Steel Tension/Compression Canister	21
B8D	Zemic	CG-23-SS Stainless Steel Single Ended Beam	39	KL-40	Keli	CG-BE40 Alloy Steel Double Ended Beam	72
B9N	Zemic	CG-58 Alloy Steel Double Ended Beam	73	KN713700	Toledo	CG-31 Stainless Steel Tension/Compression Canister	21
BBS	HBM	CG-BBS Stainless Steel Single Ended Beam	34	KN75066	Toledo	CG-31 Stainless Steel Tension/Compression Canister	21
BCA	CAS	CG-42 Aluminum Single Point	87	L6G	Zemic	CG-50-2 Aluminum Single Point	94
BCM	CAS	CG-50-SS Stainless Steel Single Point	92	L6N	Zemic	CG-40 Aluminum Single Point	89
BCM	CAS	CG-50 Aluminum Single Point	91	L6Q	Zemic	CG-1241 Stainless Steel Single Point	99
BLC	HBM	CG-BLC-C Stainless Steel Single Ended Beam w/Counter Bore	59	L6W	Zemic	CG-50-1 Aluminum Single Point	93
BLC	HBM	CG-BLC-C Stainless Steel Single Ended Beam w/Counter Bore	59	LBG1	BLH	CG-BBS Stainless Steel Single Ended Beam	34
BLC	NV Technology	CG-BLC-2 Alloy Steel Double Ended Beam	69	LC22	First Weigh	CG-LC22 Alloy Steel Single Ended Beam	36
BLC	HBM	CG-BLC-T Stainless Steel Single Ended Beam (Threaded)	60	LC32	First Weigh	CG-STR Alloy Steel Double Ended Beam	63
BLC-1-60K-N	NV Technology	CG-80210 Alloy Steel Double Ended Beam	77	LCF-3030	Fairbanks	CG-23 (Threaded Hole) Alloy Steel Single Ended Beam	37
BLC-2-XX-N	NV Technology	CG-BLC-2 Alloy Steel Double Ended Beam	69	LCF-HR4020-19	Fairbanks	CG-26S2 Stainless Steel Compression Rocker Column	4
BLF	HBM	CG-BLF Alloy Steel Single Ended Beam	62	LCF-HR4020-2 50Kle	Fairbanks	CG-26S1 Stainless Steel Compression Rocker Column	2
BM14A	Zemic	CG-26S5 Stainless Steel Compression Canister	9	LCF-HR4020-21 100K	Fairbanks	CG-26S6 Stainless Steel Compression Rocker Column	10
BM6A	Zemic	CG-HPS Stainless Steel Single Point	101	LCF-HR4020-22 22.5T	Fairbanks	CG-26S6 Stainless Steel Rocker Column	10
BSA	CAS	CG-23 (Threaded Hole) Alloy Steel Single Ended Beam	37	LCF-HR4020-2A 30T	Fairbanks	CG-26S6 Stainless Steel Compression Rocker Column	10
C-10	HBM	CG-26S3 Stainless Steel Compression Canister	5	LCF-HR4020-2A 30T	Fairbanks	CG-26S6 Stainless Steel Compression Rocker Column	10
C16	HBM	CG-26S4 Stainless Steel Compression Canister	7	LCF-HR4020-4A 50T	Fairbanks	CG-26S6 Stainless Steel Compression Rocker Column	10
C2G1	NMB	CG-22 Aluminum Single Point	86	LFB-HMT	Cardinal	CG-HMT Stainless Steel Single Ended Beam	55
C2G1	BLH	CG-22 Aluminum Single Point	86	LOC Heavy Capacity	Celtron	CG-50 Aluminum Single Point	91
C2P1	BLH	CG-26S3 Stainless Steel Compression Canister	5	LOC Heavy Capacity	Celtron	CG-50-SS Stainless Steel Single Point	92
C3P1	BLH	CG-31 Stainless Steel Tension/Compression Canister	21	LOC Light Capacity	Celtron	CG-40 Aluminum Single Point	89
CB6	Cardinal	CG-Z6 Stainless Steel Single-Ended Beam	35	Lodec	SI Lodec	CG-Lodec Alloy Steel Double Ended Beam	75
CHB	Cardinal	CG-50 Aluminum Single Point	91	LP7110	LOCOSC	CG-23 (Threaded Hole) Alloy Steel Single Ended Beam	37
CLB	Celtron	CG-58 Alloy Steel Double Ended Beam	73	LPS	Celtron	CG-22 Aluminum Single Point	86
CLDBR	Cardinal	CG-5103-SSW Stainless Steel Welded Double Ended Beam	67				
CP1	Revere	CG-175 Stainless Steel Compression Canister	8				

Manufacturer Model #	Manufacturer	CGS Part Number	Page #	Manufacturer Model #	Manufacturer	CGS Part Number	Page #
Mark 15	NCI	CG-MK15 Stainless Steel Single Ended Beam	*	RL35083	Rice Lake	CG-23-SSW-03-C20 (3.00mV/v 20ft Common Cable)	42
Mark III	NCI	CG-51 Stainless Steel Single Point	84	RL35083	Rice Lake	CG-23-SSW-03-T20 (3.00mV/v 20ft Teflon Cable)	42
Mark IV	NCI	CG-MK4 Stainless Steel Single Point	95	RL39123	Rice Lake	CG-23-SS Stainless Steel Single Ended Beam	39
Mark IV	Weigh-Tronix	CG-MK4 Stainless Steel Single Point	95	RL40BBS	Rice Lake	CG-BBS Stainless Steel Single Ended Beam	34
Mark IX	NCI	CG-51 Stainless Steel Single Point	84	RL50210	Rice Lake	CG-60040 Stainless Steel Single Ended Beam	44
Mark V	NCI	CG-60048 Stainless Steel Single Point	85	RL60040SST	Rice Lake	CG-60040 Stainless Steel Single Ended Beam	44
Mark V	NCI	CG-MK5 Aluminum Single Point	*	RL70000	Rice Lake	CG-5103 Alloy Steel Double Ended Beam	66
Mark V	Weigh-Tronix	CG-60048 Stainless Steel Single Point	85	RL70000SS	Rice Lake	CG-5103-SSW Stainless Steel Welded Double Ended Beam	67
MK29	Weigh-Tronix	CG-1130 Stainless Steel Single Point	98	RL70510 30T	Rice Lake	CG-26S6 Stainless Steel Compression Rocker Column	10
ML1100	Masload	CG-SLS Alloy Steel Double Ended Beam	76	RL71000HE	Rice Lake	CG-5103-SSW Stainless Steel Welded Double Ended Beam	67
ML4311	Masstron	CG-743 Stainless Steel Single Ended Beam	51	RL72010MH	Rice Lake	CG-5103-SSW Stainless Steel Welded Double Ended Beam	67
ML4331	Masstron	CG-743 Stainless Steel Single Ended Beam	51	RL72015HE	Rice Lake	CG-5103-SSW Stainless Steel Welded Double Ended Beam	67
ML4350	Masstron	CG-743 Stainless Steel Single Ended Beam	51	RL75000 SS	Rice Lake	CG-WB-SS Stainless Steel Single Ended Beam	57
ML4410	Masstron	CG-743 Stainless Steel Single Ended Beam	51	RL75016	Rice Lake	CG-16 Alloy Steel Double Ended Beam	70
ML4420	Masstron	CG-743 Stainless Steel Single Ended Beam	51	RL75016SS	Rice Lake	CG-16-SSW Stainless Steel Welded Double Ended Beam	71
ML4437	Masstron	CG-SB2L Alloy Steel Single Ended Beam	49	RL75016SS-W	Rice Lake	CG-16-SSW Stainless Steel Welded Double Ended Beam	71
ML4447	Masstron	CG-SMB6 Alloy Steel Single Ended Beam	53	RL75016WHE	Rice Lake	CG-16-SSW Stainless Steel Welded Double Ended Beam	71
ML4449	Masstron	CG-SMB6 Alloy Steel Single Ended Beam	53	RL75040A	Rice Lake	CG-BE40 Alloy Steel Double Ended Beam	72
MLK29	Weigh-Tronix	CG-1130 Stainless Steel Single Point	98	RL75058	Rice Lake	CG-58 Alloy Steel Double Ended Beam	73
MLS400	Masload	CG-BE40 Alloy Steel Double Ended Beam	72	RL75114 50Kle	Rice Lake	CG-26S1 Stainless Steel Compression Rocker Column	2
MT1041	Toledo	CG-40 Aluminum Single Point	89	RL75223	Rice Lake	CG-5223 Alloy Steel Double Ended Beam	68
MT1260	Toledo	CG-50-1 Aluminum Single Point	93	RL800WT	Rice Lake	CG-FLS Stainless Steel Single Point	97
MTB	Toledo	CG-26 Stainless Steel Single Ended Beam	35	RL80453 100K	Rice Lake	CG-26S6 Stainless Steel Compression Rocker Column	10
PC42	Flintec	CG-42 Aluminum Single Point	87	RL8C2P1SS	Rice Lake	CG-26S3 Stainless Steel Compression Canister	5
PCB	Flintec	CG-50-SS Stainless Steel Single Point	92	RLBLC	Rice Lake	CG-BLC-C Stainless Steel Single Ended Beam w/Counter Bore	59
PW12	HBM	CG-50 Aluminum Single Point	91	RLBLC	Rice Lake	CG-BLC-T Stainless Steel Single Ended Beam (Threaded)	60
PW12	HBM	CG-50-SS Stainless Steel Single Point	92	RLBLF	Rice Lake	CG-BLF Alloy Steel Single Ended Beam	62
PW15AH	HBM	CG-40-SS Stainless Steel Single Point	90	RLDB50000S	Rice Lake	CG-DB50000S Stainless Steel Welded Double Ended Beam	74
PW16	HBM	CG-50-1 Aluminum Single Point	93	RLH35	Rice Lake	CG-23-SSW-03-C20 (3.00mV/v 20ft Common Cable)	42
PW24	HBM	CG-50-2 Aluminum Single Point	94	RLH35	Rice Lake	CG-23-SSW-03-T20 (3.00mV/v 20ft Teflon Cable)	42
PW6C	HBM	CG-22 Aluminum Single Point (5KG-30KG)	86	RLHBB	Rice Lake	CG-Z6 Stainless Steel Single Ended Beam	35
PW6K	HBM	CG-22 Aluminum Single Point	86	RLHSCA	Rice Lake	CG-26S Stainless Steel Compression Rocker Column	1
PWA	HBM	CG-PWA Aluminum Single Point	*	RLHTO	Rice Lake	CG-23-SSW-02-C20 (2.00mV/v 20ft Common Cable)	41
PWS	HBM	CG-PWS Stainless Steel Single Point	81	RLMK21	Rice Lake	CG-MK21 Stainless Steel Single Point	96
Railmaster 7200 Series	Toledo	CG-F1 Stainless Steel Single Ended Beam	*	RLMK4	Rice Lake	CG-MK4 Stainless Steel Single Point	95
RC1	Flintec	CG-26S2 Stainless Steel Compression Rocker Column	4	RLPWM12	Rice Lake	CG-50 Aluminum Single Point	91
RC3	Flintec	CG-26S6 Stainless Steel Compression Rocker Column	10	RLPWM12	Rice Lake	CG-50-SS Stainless Steel Single Point	92
RL1010	Rice Lake	CG-1010 Aluminum Single Point	80	RLPWM16	Rice Lake	CG-50-1 Aluminum Single Point	93
RL1040	Rice Lake	CG-40 Aluminum Single Point	89	RLSB250	Rice Lake	CG-SB250 Stainless Steel Single Ended Beam	33
RL1042	Rice Lake	CG-42 Aluminum Single Point	87	RLSB2L	Rice Lake	CG-SB2L Alloy Steel Single Ended Beam	49
RL1140	Rice Lake	CG-40-SS Stainless Steel Single Point	90	RLSB2M	Rice Lake	CG-SB2M Alloy Steel Single Ended Beam	50
RL1250	Rice Lake	CG-50 Aluminum Single Point	91	RLSBF	Rice Lake	CG-SBF Alloy Steel Single Ended Beam	*
RL1250	Rice Lake	CG-50-SS Stainless Steel Single Point	92	RLSCP1	Rice Lake	CG-26S5 Stainless Steel Compression Canister	9
RL1260	Rice Lake	CG-50-1 Aluminum Single Point	93	RLSP4	Rice Lake	CG-42 Aluminum Single Point	87
RL1380	Rice Lake	CG-PWS Stainless Steel Single Point	81	RLSSB	Rice Lake	CG-SB3 Alloy/Stainless Steel Single Ended Beam	45
RL1521A	Rice Lake	CG-22 Aluminum Single Point	86	RLSSB	Rice Lake	CG-SSB Stainless Steel Single Ended Beam	47
RL20000	Rice Lake	CGSB-1 Alloy Steel S-Beam	28	Rodan	Fairbanks	CG-STR1-SSW Stainless Steel Welded Double Ended Beam	65
RL20000SS	Rice Lake	CGSB-SS-1 Stainless Steel S-Beam	29	S35-20575	HBM	CGSB-SS-1 Stainless Steel S-Beam	29
RL20001	Rice Lake	CGSB Alloy Steel S-Beam	25	SB10000S	Cardinal	CG-SB250 Stainless Steel Single Ended Beam	33
RL20001HE	Rice Lake	CGSB-SSW Stainless Steel Welded S-Beam	27	SB20000S	Cardinal	CG-SB250 Stainless Steel Single Ended Beam	33
RL30000	Rice Lake	CG-23 (Threaded Hole) Alloy Steel Single Ended Beam	37	SB250	Rice Lake	CG-SB250 Stainless Steel Single Ended Beam	33
RL30002	Rice Lake	CG-23-1 (Through Hole) Alloy Steel Single Ended Beam	38	SB2500S	Cardinal	CG-SB250 Stainless Steel Single Ended Beam	33
RL30745	Rice Lake	CG-745 Stainless Steel Single Ended Beam	52	SB2L	Rice Lake	CG-SB2L Alloy Steel Single Ended Beam	49
RL32011WB-L	Rice Lake	CG-WB-SS Stainless Steel Single Ended Beam	57	SB3	HBM	CG-SB3 Alloy/Stainless Steel Single Ended Beam	45
RL32011WB-T	Rice Lake	CG-WBL-SS Stainless Steel Single Ended Beam	58	SB3	HBM	CG-SSB Stainless Steel Single Ended Beam	47
RL32155	Rice Lake	CG-TB2 Stainless Steel Single Ended Beam	56	SB3	HBM	CG-SB3-1 Alloy Steel Single Ended Beam	46
RL35023	Rice Lake	CG-23 (Threaded Hole) Alloy Steel Single Ended Beam	37	SB3-1	HBM	CG-SB3-1 Alloy Steel Single Ended Beam	46
RL35023S	Rice Lake	CG-23-SS Stainless Steel Single Ended Beam	39	SB4	HBM	CG-SSB-10 Stainless Steel Single Ended Beam	48
RL35082	Rice Lake	CG-23-SSW-02-C20 (2.00mV/v 20ft Common Cable)	41	SB4	Flintec	CG-SB4 Stainless Steel Single Ended Beam	61
RL35082	Rice Lake	CG-23-SSW-02-T20 (2.00mV/v 20ft Teflon Cable)	41	SB5000S	Cardinal	CG-SB250 Stainless Steel Single Ended Beam	33

Manufacturer Model #	Manufacturer	CGS Part Number	Page #	Manufacturer Model #	Manufacturer	CGS Part Number	Page #
SBC	Incell	CG-23 (Threaded Hole) Alloy Steel Single Ended Beam	37	T42	Totalcomp	CG-TC42 Stainless Steel Tension/Compression Canister	22
SBF	HBM	CG-SBF Alloy Steel Single Ended Beam	*	T43	Totalcomp	CG-TC43 Stainless Steel Tension/Compression Canister	22
SBS	Transcell	CG-23 (Threaded Hole) Alloy Steel Single Ended Beam	37	T496	Totalcomp	CG-CP22 Stainless Steel Compression Canister	14
SCA	Cardinal	CG-26S Stainless Steel Compression Rocker Column	1	T62	Totalcomp	CG-62 Stainless Steel Tension/Compression Canister	23
SHB	Revere	CG-Z6 Stainless Steel Single Ended Beam	35	T63	Totalcomp	CG-63 Tension/Compression Canister	23
SLC610 15t-22.5t	Toledo	CG-26S6 Stainless Steel Compression Rocker Column	10	T752	Totalcomp	CG-CC22 Stainless Steel Compression Canister	13
SLD430	Toledo	CG-5103 Alloy Steel Double Ended Beam	66	T92	Totalcomp	CG-92 Stainless Steel Compression Canister	12
SLD525	Toledo	CG-16 Alloy Steel Double Ended Beam	70	T93	Totalcomp	CG-93 Stainless Steel Compression Canister	12
SLD530	Toledo	CG-5103-SSW Stainless Steel Welded Double Ended Beam	67	TB600261 4000lb	Toledo	CG-745 Stainless Steel Single Ended Beam	52
SLP532	Toledo	CG-1241 Stainless Steel Single Point	99	TB600342 2500lb	Toledo	CG-745 Stainless Steel Single Ended Beam	52
SP4	HBM	CG-42 Aluminum Single Point	87	TB600343 5000lb	Toledo	CG-745 Stainless Steel Single Ended Beam	52
SPL	Cardinal	CG-SPL Aluminum Single Point	82	TB600363 1250lb	Toledo	CG-745 Stainless Steel Single Ended Beam	52
SPLM	Cardinal	CG-SPLM Stainless Steel Single Point	83	TB600364 10000lb	Toledo	CG-745 Stainless Steel Single Ended Beam	52
SQB	Celtron	CG-23 (Threaded Hole) Alloy Steel Single Ended Beam	37	TB600529 500lb	Toledo	CG-745 Stainless Steel Single Ended Beam	52
SQB HSS	Celtron	CG-23-SSW-03-C20 (3.00mV/v 20ft Common Cable)	42	TB600531 2.5K	Toledo	CG-23-SSW-02-C20 (2.00mV/v 20ft Common Cable)	41
SQB HSS	Celtron	CG-23-SSW-03-T20 (3.00mV/v 20ft Teflon Cable)	42	TB600531 2.5K	Toledo	CG-23-SSW-02-T20 (2.00mV/v 20ft Teflon Cable)	41
SQB SS	Celtron	CG-23-SS Stainless Steel Single Ended Beam	39	TB601016-008 2500lb	Toledo	CG-23-SSW-03-C20 (3.00mV/v 20ft Common Cable)	42
SS20210	Artech	CGSB-SS-1 Stainless Steel S-Beam	29	TB601016-008 2500lb	Toledo	CG-23-SSW-03-T20 (3.00mV/v 20ft Teflon Cable)	42
SS30210	Artech	CG-23-SS-1 (Through Hole) Stainless Steel Single Ended Beam	40	TB601016-020 1000lb	Toledo	CG-23-SSW-03-C20 (3.00mV/v 20ft Common Cable)	42
SS30310	Artech	CG-23-SS Stainless Steel Single Ended Beam	39	TB601016-020 1000lb	Toledo	CG-23-SSW-03-T20 (3.00mV/v 20ft Teflon Cable)	42
SS30315	Artech	CG-23-LP Stainless Steel Low Profile Single Ended Beam	43	TB601017-020 4000lb	Toledo	CG-23-SSW-03-C20 (3.00mV/v 20ft Common Cable)	42
SS30510	Artech	CG-BLC-C Stainless Steel Single Ended Beam w/Counter Bore	59	TB601017-020 4000lb	Toledo	CG-23-SSW-03-T20 (3.00mV/v 20ft Teflon Cable)	42
SS30610	Artech	CG-SSB Stainless Steel Single Ended Beam	47	TB601018-008 5000lb	Toledo	CG-23-SSW-03-C20 (3.00mV/v 20ft Common Cable)	42
SS60210	Artech	CG-51 Stainless Steel Single Point	84	TB601018-008 5000lb	Toledo	CG-23-SSW-03-T20 (3.00mV/v 20ft Teflon Cable)	42
SS60510	Artech	CG-40-SS Stainless Steel Single Point	90	TB601019-008 500lb	Toledo	CG-23-SSW-03-T20 (3.00mV/v 20ft Teflon Cable)	42
SS61010	Artech	CG-MK4 Stainless Steel Single Point	95	TB743	Totalcomp	CG-743 Stainless Steel Single Ended Beam	51
SS70210	Artech	CG-5103-SSW Stainless Steel Welded Double Ended Beam	67	TB745	Totalcomp	CG-745 Stainless Steel Single Ended Beam	52
SSB	Revere	CG-SB3 Alloy/Stainless Steel Single Ended Beam	45	TBM4	Totalcomp	CG-SB2L Alloy Steel Single Ended Beam	49
SSB	Revere	CG-SSB Stainless Steel Single Ended Beam	47	TBM4	Totalcomp	CG-SMB6 Alloy Steel Single Ended Beam	53
STC	Celtron	CGSB Alloy Steel S-Beam	25	TBM42	Totalcomp	CG-SB2M Alloy Steel Single Ended Beam	50
STC HSS	Celtron	CGSB-SSW Stainless Steel Welded S-Beam	27	TBM42	Totalcomp	CG-SMB6-2 Alloy Steel Single Ended Beam	54
STC SS	Celtron	CGSB-SS Stainless Steel S-Beam	26	TBMK	Totalcomp	CG-MK15 Stainless Steel Single Ended Beam	*
STR	Epelsee	CG-STR Alloy Steel Double Ended Beam	63	TC3P1	Totalcomp	CG-31 Stainless Steel Tension/Compression Canister	21
T1241	Totalcomp	CG-1241 Stainless Steel Single Point	99	TC-CP21	Totalcomp	CG-26S3 Stainless Steel Compression Canister	5
T2P1	BLH	CG-21 Stainless Steel Tension/Compression Canister	21	TC-CP21-1000	Totalcomp	CG-26S3-10 Stainless Steel Compression Canister	6
T303	Tufner	CG-50 Aluminum Single Point	91	TCP1	Totalcomp	CG-175 Stainless Steel Compression Canister	8
T304	Tufner	CG-50-1 Aluminum Single Point	93	TCSCA	Totalcomp	CG-26S Stainless Steel Compression Rocker Column	1
T305	Tufner	CG-50-2 Aluminum Single Point	94	TCSP1	Totalcomp	CG-26S5 Stainless Steel Compression Canister	9
T308	Tufner	CG-FLS Stainless Steel Single Point	97	TDE03	Totalcomp	CG-5103 Alloy Steel Double Ended Beam	66
T310	Tufner	CG-23 (Threaded Hole) Alloy Steel Single Ended Beam	37	TDE16	Totalcomp	CG-16 Alloy Steel Double Ended Beam	70
T310-SSW	Tufner	CG-23-SSW-03-C20 (3.00mV/v 20ft Common Cable)	42	TDE23	Totalcomp	CG-5223 Alloy Steel Double Ended Beam	68
T313	Tufner	CG-16 Alloy Steel Double Ended Beam	70	TDE40	Totalcomp	CG-BE40 Alloy Steel Double Ended Beam	72
T314	Tufner	CG-SLS Alloy Steel Double Ended Beam	76	TDE58	Totalcomp	CG-58 Alloy Steel Double Ended Beam	73
T315	Tufner	CG-175 Stainless Steel Compression Canister	8	THC	HBM	CG-745 Stainless Steel Single Ended Beam	52
T316	Tufner	CG-LC22 Alloy Steel Single Ended Beam	36	Totalizer 5K	Hydraulic Truck	CG-1211 Stainless Steel Compression Canister	18
T316-SSW	Tufner	CG-LC22 Alloy Steel Single Ended Beam	36	TP40-A	Totalcomp	CG-40 Aluminum Single Point	89
T320	Tufner	CG-5103 Alloy Steel Double Ended Beam	66	TP40-SS	Totalcomp	CG-40-SS Stainless Steel Single Point	90
T321	Tufner	CG-26S Stainless Steel Compression Rocker Column	1	TSB	Totalcomp	CG-23 (Threaded Hole) Alloy Steel Single Ended Beam	37
T325	Tufner	CG-26S4 Stainless Steel Compression Canister	7	TSC800	Thurman	CG-5223 Alloy Steel Double Ended Beam	68
T334	Tufner	CG-SB250 Stainless Steel Single Ended Beam	33	TSC840	Thurman	CG-BE40 Alloy Steel Double Ended Beam	72
T335	Tufner	CG-Z6 Stainless Steel Single Ended Beam	35	TSP	Cardinal	CG-42 Aluminum Single Point	87
T337	Tufner	CG-WB-SS Stainless Steel Single Ended Beam	57	TT2P1	Totalcomp	CG-21 Stainless Steel Tension/Compression Canister	21
T339	Tufner	CG-STR Alloy Steel Double Ended Beam	63	TUSP1	Totalcomp	CG-33 Tension/Compression Canister	24
T342	Tufner	CG-5223 Alloy Steel Double Ended Beam	68	TZ6	Totalcomp	CG-Z6 Stainless Steel Single Ended Beam	35
T343	Tufner	CG-BE40 Alloy Steel Double Ended Beam	72	USP1	Revere	CG-33 Tension/Compression Canister	24
T345	Tufner	CG-DB5000S Stainless Steel Welded Double Ended Beam	74	WBM	Weigh-Tronix	CG-WBM Alloy Steel Double Ended Beam	78
T350	Tufner	CG-58 Alloy Steel Double Ended Beam	73	WBT Series Chainlink Style	Weigh-Tronix	CG-WB-SS Stainless Steel Single Ended Beam	57
T353	Tufner	CG-BLC-2 Alloy Steel Double Ended Beam	69	Weighbar	Weigh-Tronix	CG-WB-SS Stainless Steel Single Ended Beam	57
T370-SSW	Tufner	CG-BLC-C Stainless Steel Single Ended Beam w/Counter Bore	59	Z6	HBM	CG-Z6 Stainless Steel Single-Ended Beam	35
T3P1	BLH	CG-31 Stainless Steel Tension/Compression Canister	21				





# **CANISTERS**



# CG-26S

► **COMPRESSION CANISTER**

► **STAINLESS STEEL**

Hermetically Sealed

NTEP 1:10,000 Class III Multiple Cell

Coti Global Sensors • 5699 Highway 53 Harvest, Alabama 35749 • Toll Free: 1-866-762-COTI(2684) • Fax: 256-852-9903 • www.cotiglobal.com



**CG-26S ORDER INFORMATION**      DISCOUNT C      SUGGESTED LIST PRICE

50K		\$ 1039.50
100K		\$ 1039.50
120K		\$ 1039.50

\*Caps included with new purchase

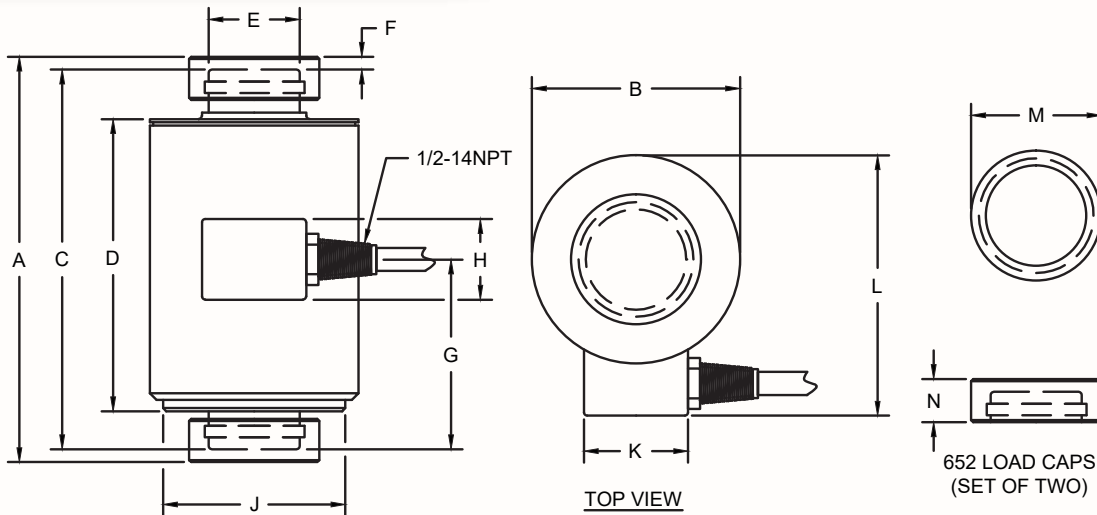
**ACCESSORIES**      DISCOUNT C      SUGGESTED LIST PRICE

652 Caps for load button (each)		\$ 57.75
---------------------------------	--	----------

**INTERCHANGEABLE PRODUCTS**

Cardinal.....	SCA, HDD, AC
Rice Lake Weighing Systems.....	RLSCA
Totalcomp.....	TCSCA

Main Dimensions and Accessories



RATED CAPACITY	DIMENSIONS													
	A	B	C	D	E	F	G	H	J	K	L	M	N	
50K- 120K	7.75	4.00	7.25	5.75	1.75	0.25	4.00	1.55	3.50	2.00	5.00	-	-	
652 LOAD CAPS	-	-	-	-	-	-	-	-	-	-	-	2.50	0.82	

► **SPECIFICATIONS** ◀

Rated Output (mV/V)	2.00	Input Impedance	1150 +/- 10 ohms
Nonlinearity	+/- 0.03% FS	Output Impedance	1050 +/- 5 ohms
Hysteresis	+/- 0.02% FS	Insulation Resistance	5000 Megohms
Repeatability	+/- 0.01% FS	Excitation Voltage	10V AC/DC (20V Max)
Creep (30 minutes)	+/- 0.02% FS	Compensated Temperature Range	-10°C - +40°C
Zero Balance	+/- 1.00% FS	Operating Temperature Range	-20°C - +60°C
Temperature Effect on Zero	+/- 0.0027% of rated output/°C	Safe Overload	150% FS
Temperature Effect on Output	+/- 0.0015% of applied load/°C	Cable Length	50' Standard Cable
Cable Color Code	Input                      Output	Seal Type	Hermetically Sealed, IP67
	Green +Excitation      Red +Signal		
	Black -Excitation      White -Signal		

# CG-26S1

## 1.80 mV/V

▶ **ROCKER COLUMN**

▶ **STAINLESS STEEL**

Hermetically Sealed

NTEP 1:10,000 Class III. Multiple Cell

Coti Global Sensors • 5699 Highway 53 Harvest, Alabama 35749 • Toll Free: 1-866-762-COTI(2684) • Fax: 256-852-9903 • www.cotiglobal.com



### CG-26S1 ORDER INFORMATION

	DISCOUNT C	SUGGESTED LIST PRICE
50K SE		\$ 918.23
50K LE		\$ 918.23

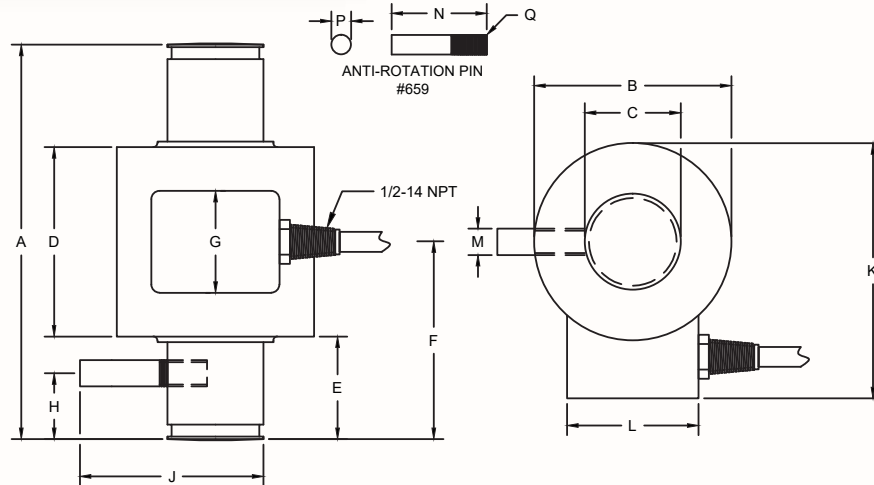
### ACCESSORIES

	DISCOUNT C	SUGGESTED LIST PRICE
Stock No. 659	Anti-Rotation Pin	\$ 17.33

### INTERCHANGEABLE PRODUCTS

Fairbanks.....	50K LE	64166
Fairbanks.....	50K LE	LCF-HR4020-2
Rice Lake Weighing Systems .....	50K LE	RL75114

Main Dimensions and Accessories



RATED CAPACITY	DIMENSIONS														
	A	B	C	D	E	F	G	H	J	K	L	M	N	P	Q
50KSE	6.00	3.00	1.46	2.88	1.56	3.00	1.62	1.00	2.88	3.88	2.00	0.38	-	-	-
50KLE	7.56	3.00	1.46	2.88	2.34	3.78	1.62	1.00	2.88	3.88	2.00	0.38	-	-	-
659													1.89	0.38	M10x1

### SPECIFICATIONS

Rated Output (mV/V)	1.80	Input Impedance	1080 +/- 10 ohms
Nonlinearity	+/- 0.03% FS	Output Impedance	1000 +/- 5 ohms
Hysteresis	+/- 0.02% FS	Insulation Resistance	5000 Megohms
Repeatability	+/- 0.01% FS	Excitation Voltage	10V AC/DC (20V Max)
Creep (30 minutes)	+/- 0.02% FS	Compensated Temperature Range	-10°C - +40°C
Zero Balance	+/- 1.00% FS	Operating Temperature Range	-20°C - +60°C
Temperature Effect on Zero	+/- 0.0027% of rated output/°C	Safe Overload	150% FS
Temperature Effect on Output	+/- 0.0015% of applied load/°C	Cable Length	50' Braided Shield
Cable Color Code	Input	Output	Seal Type
	Green +Excitation	White +Signal	Hermetically Sealed, IP67
	Black -Excitation	Red -Signal	

# CG-26S1-65114

## 2.00 mV/V

▶ **ROCKER COLUMN**

▶ **STAINLESS STEEL**

Hermetically Sealed

NTEP 1:10,000 Class III Multiple Cell

Coti Global Sensors • 5699 Highway 53 Harvest, Alabama 35749 • Toll Free: 1-866-762-COTI(2684) • Fax: 256-852-9903 • www.cotiglobal.com



**CG-26S1-65114 ORDER INFORMATION**    DISCOUNT C    SUGGESTED LIST PRICE

50K SE		\$ 918.23
50K LE		\$ 918.23

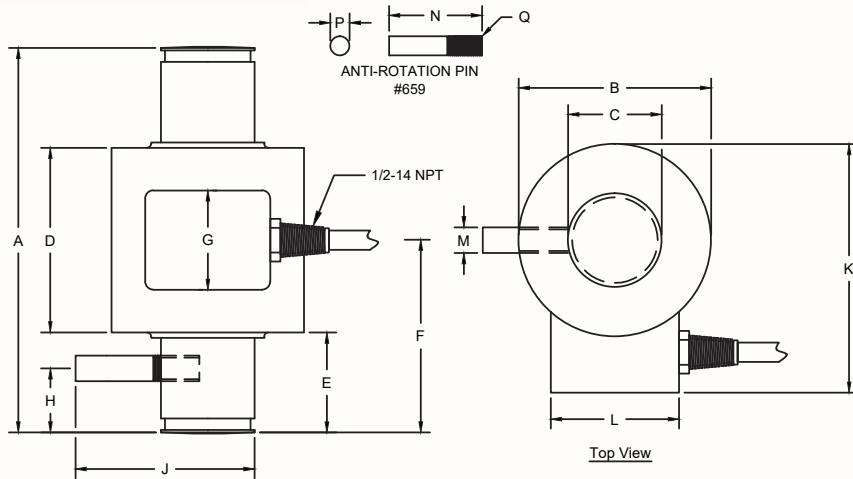
**ACCESSORIES**    DISCOUNT C    SUGGESTED LIST PRICE

Stock No. 659	Anti-Rotation Pin	\$ 17.33
---------------	-------------------	----------

**INTERCHANGEABLE PRODUCTS**

Fairbanks.....	50K LE	63951
Sensortronics.....	50K LE	65114

Main Dimensions and Accessories



RATED CAPACITY	DIMENSIONS															
	A	B	C	D	E	F	G	H	J	K	L	M	N	P	Q	
50K (SE)	6.00	3.00	1.46	2.88	1.56	3.00	1.62	1.00	2.88	3.88	2.00	0.38	-	-	-	
50K (LE)	7.56	3.00	1.46	2.88	2.34	3.78	1.62	1.00	2.88	3.88	2.00	0.38	-	-	-	
659	-	-	-	-	-	-	-	-	-	-	-	-	1.89	0.38	M10x1	

▶ **SPECIFICATIONS** ◀

Rated Output (mV/V)	2.00	Input Impedance	1080 +/- 10 ohms
Nonlinearity	+/- 0.03% FS	Output Impedance	1000 +/- 5 ohms
Hysteresis	+/- 0.02% FS	Insulation Resistance	5000 Megohms
Repeatability	+/- 0.01% FS	Excitation Voltage	10V AC/DC (20V Max)
Creep (30 minutes)	+/- 0.02% FS	Compensated Temperature Range	-10°C - +40°C
Zero Balance	+/- 1.00% FS	Operating Temperature Range	-20°C - +60°C
Temperature Effect on Zero	+/- 0.0027% of rated output/°C	Safe Overload	150% FS
Temperature Effect on Output	+/- 0.0015% of applied load/°C	Cable Length	50' Braided Shield
Cable Color Code	Input                      Output	Seal Type	Hermetically Sealed, IP67
	Green +Excitation    White +Signal		
	Black -Excitation    Red -Signal		

# CG-26S2

▶ **ROCKER COLUMN**

▶ **STAINLESS STEEL**

Hermetically Sealed

NTEP 1:10,000 Class III Multiple Cell

Coti Global Sensors • 5699 Highway 53 Harvest, Alabama 35749 • Toll Free: 1-866-762-COTI(2684) • Fax: 256-852-9903 • www.cotiglobal.com



### CG-26S2 ORDER INFORMATION

	DISCOUNT C	SUGGESTED LIST PRICE
30t		\$ 834.75
56K		\$ 834.75

### ACCESSORIES

	DISCOUNT C	SUGGESTED LIST PRICE
656A Load Cup, Upper		\$ 109.73
657 Load Cup, Lower with 2 Anti-Rotation Pins		\$ 144.38
Stock No. 659 Anti-Rotation Pin		\$ 17.33

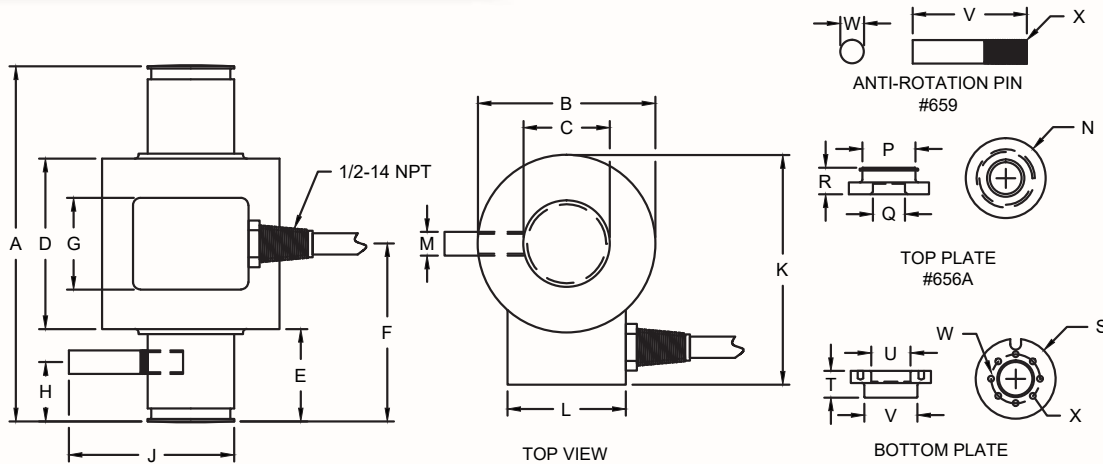
### WEIGH MODULES

	DISCOUNT C	SUGGESTED LIST PRICE
Toledo Digital™ Truck Scale Retrofit Kit		
CG-26S2-8 Kit includes load cells and upper and lower cups		\$8,710.80
CG-26S2-10 Kit includes load cells and upper and lower cups		\$10,909.50

### INTERCHANGEABLE PRODUCTS

Fairbanks.....	LCF-HR-4020-19
Flintec.....	RC1

Main Dimensions and Accessories



RATED CAPACITY	DIMENSION																					
	A	B	C	D	E	F	G	H	J	K	L	M	N	P	Q	R	S	T	U	V	W	X
30t	7.56	3.00	1.46	2.88	2.34	3.78	1.62	1.00	2.88	3.88	2.00	0.38		-	-	-	-	-	-	-	-	-
56K	7.56	3.00	1.46	2.88	2.34	3.78	1.62	1.00	2.88	3.88	2.00	0.38		-	-	-	-	-	-	-	-	-
656A	-	-	-	-	-	-	-	-	-	-	-	-	3.75	2.46	1.50	1.25	-	-	-	-	-	-
657	-	-	-	-	-	-	-	-	-	-	-	-	-	-	-	-	4.13	1.69	1.50	2.46	2.25	M10x1
659	-	-	-	-	-	-	-	-	-	-	-	-	-	-	-	-	-	-	-	1.89	0.38	M10x1

## SPECIFICATIONS

Rated Output (mV/V)	2.00	Input Impedance	380 +/- 10 ohms
Nonlinearity	+/- 0.03% FS	Output Impedance	350 +/- 5 ohms
Hysteresis	+/- 0.02% FS	Insulation Resistance	5000 Megohms
Repeatability	+/- 0.01% FS	Excitation Voltage	10V AC/DC (20V Max)
Creep (30 minutes)	+/- 0.02% FS	Compensated Temperature Range	-10°C - +40°C
Zero Balance	+/- 1.00% FS	Operating Temperature Range	-20°C - +60°C
Temperature Effect on Zero	+/- 0.0027% of rated output/°C	Safe Overload	150% FS
Temperature Effect on Output	+/- 0.0015% of applied load/°C	Cable Length	50' Braided Shield Cable
Cable Color Code	Input	Output	Seal Type
	Green +Excitation	White +Signal	Hermetically Sealed, IP67
	Black -Excitation	Red -Signal	



# CG-26S3

► **Compression Canister**

► **STAINLESS STEEL**

Hermetically Sealed

Coti Global Sensors • 5699 Highway 53 Harvest, Alabama 35749 • Toll Free: 1-866-762-COTI(2684) • Fax: 256-852-9903 • www.cotiglobal.com



### CG-26S3 ORDER INFORMATION

DISCOUNT C

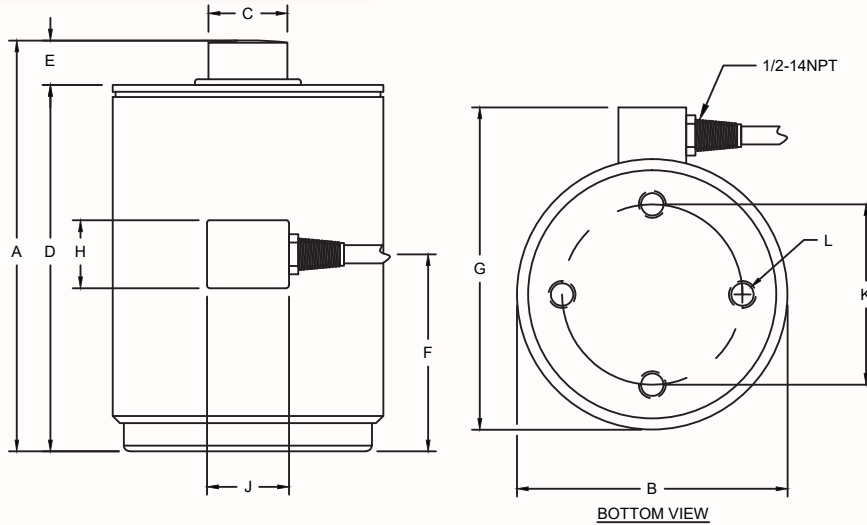
SUGGESTED LIST PRICE

20K		\$ 1617.00
50K		\$ 1617.00
100K		\$ 1848.00
200K		\$ 2656.50

### INTERCHANGEABLE PRODUCTS

Artech.....	90405
BLH.....	C2P1
Fairbanks.....	3-38065-X, 3-38066-X
HBM.....	C-10
Revere.....	792
Rice Lake Weighing.....	RL8C2P1SS
Streeter Richardson 2011611, 2011612, 2011613, 2011614, 2011617	
Toledo.....	10011900A, 10014900A, 10049200A, 10049300A
Totalcomp.....	TC-C2P1

Main Dimensions and Accessories



RATED CAPACITY	DIMENSIONS										
	A	B	C	D	E	F	G	H	J	K	L
20 - 50K	7.50	4.50	1.25	7.00	0.50	3.86	5.75	1.57	1.57	2.38	3/8-24UNFx0.63 DEEP
100K	9.13	6.00	1.75	8.13	1.00	4.48	7.00	1.57	1.57	4.00	1/2-20UNFx0.75 DEEP
200K	11.63	8.00	2.50	10.63	1.00	5.78	9.00	1.97	1.97	5.50	5/8-18UNFx1.00 DEEP

### ► SPECIFICATIONS ◀

Rated Output (mV/V)	2.00	Input Impedance	385 +/- 10 ohms
Nonlinearity	+/- 0.05% FS	Output Impedance	350 +/- 5 ohms
Hysteresis	+/- 0.03% FS	Insulation Resistance	5000 Megohms
Repeatability	+/- 0.01% FS	Excitation Voltage	10V AC/DC (20V Max)
Creep (30 minutes)	+/- 0.02% FS	Compensated Temperature Range	-10°C - +40°C
Zero Balance	+/- 1.00% FS	Operating Temperature Range	-20°C - +60°C
Temperature Effect on Zero	+/- 0.0027% of rated output/°C	Safe Overload	150% FS
Temperature Effect on Output	+/- 0.0015% of applied load/°C	Cable Length	50' Standard Cable
Cable Color Code	Input	Output	Seal Type
	Green +Excitation	White +Signal	Hermetically Sealed, IP67
	Black -Excitation	Red -Signal	

# CG-26S3-10

COMPRESSION CANISTER

STAINLESS STEEL

Hermetically Sealed

Coti Global Sensors • 5699 Highway 53 Harvest, Alabama 35749 • Toll Free: 1-866-762-COTI(2684) • Fax: 256-852-9903 • www.cotiglobal.com



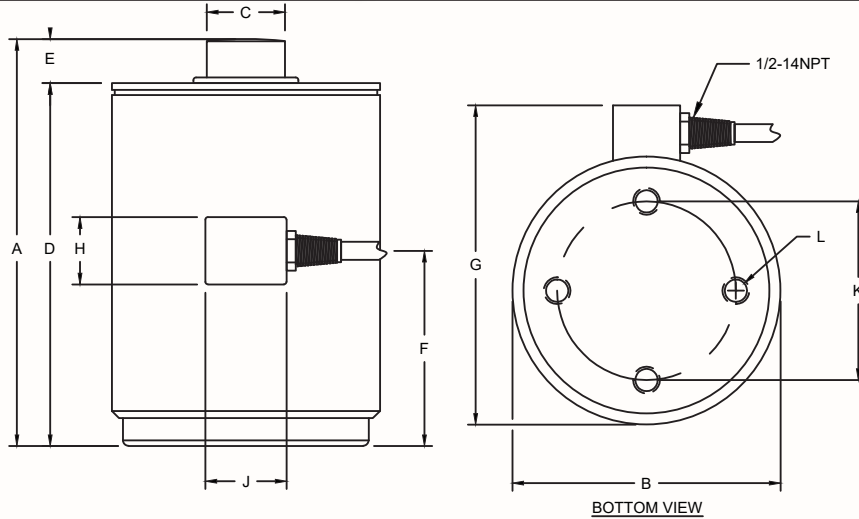
**CG-26S3-10 ORDER INFORMATION** DISCOUNT C SUGGESTED LIST PRICE

50K	\$1617.00
100K	\$1848.00
200K	\$2656.50

**INTERCHANGEABLE PRODUCTS**

Fairbanks.....	3-43076-1
	3-43076-2
	3-43076-3
Totalcomp.....	TC-C2P1-1000

Main Dimensions and Accessories



RATED CAPACITY	DIMENSIONS										
	A	B	C	D	E	F	G	H	J	K	L
20 - 50K	7.50	4.50	1.25	7.00	0.50	3.86	5.75	1.57	1.57	2.38	3/8-24UNFx0.63 DEEP
100K	9.13	6.00	1.75	8.13	1.00	4.48	7.00	1.57	1.57	4.00	1/2-20UNFx0.75 DEEP
200K	11.63	8.00	2.50	10.63	1.00	5.78	9.00	1.97	1.97	5.50	5/8-18UNFx1.00 DEEP

**SPECIFICATIONS**

Rated Output (mV/V)	2.00	Input Impedance	1080 +/- 10 ohms
Nonlinearity	+/- 0.05% FS	Output Impedance	1000 +/- 5 ohms
Hysteresis	+/- 0.03% FS	Insulation Resistance	5000 Megohms
Repeatability	+/- 0.01% FS	Excitation Voltage	10V AC/DC (20V Max)
Creep (30 minutes)	+/- 0.03% FS	Compensated Temperature Range	-10°C - +40°C
Zero Balance	+/- 1.00% FS	Operating Temperature Range	-20°C - +60°C
Temperature Effect on Zero	+/- 0.0027% of rated output/°C	Safe Overload	150% FS
Temperature Effect on Output	+/- 0.0015% of applied load/°C	Cable Length	50' Standard Cable
Cable Color Code	Input	Output	Seal Type
	Green +Excitation	White +Signal	Hermetically Sealed, IP67
	Black -Excitation	Red -Signal	

# CG-26S4

▶ **ROCKER COLUMN**

▶ **STAINLESS STEEL**

Hermetically Sealed

NTEP 1:10,000 Class III Multiple Cell

Coti Global Sensors • 5699 Highway 53 Harvest, Alabama 35749 • Toll Free: 1-866-762-COTI(2684) • Fax: 256-852-9903 • www.cotiglobal.com



## CG-26S4 ORDER INFORMATION

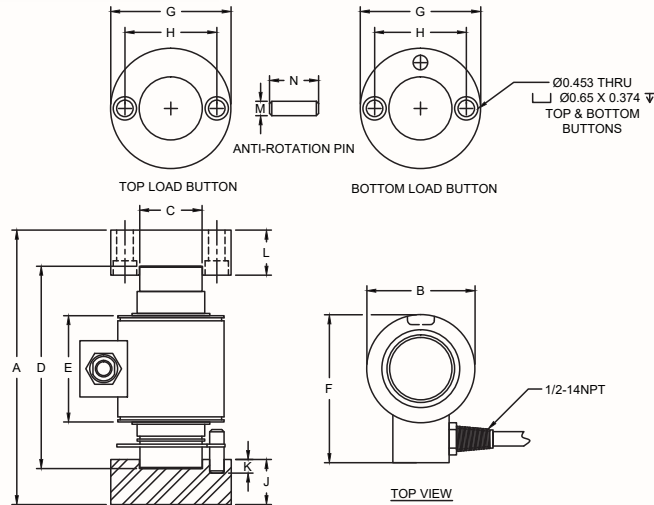
	DISCOUNT C	SUGGESTED LIST PRICE
15t		\$ 924.00
20t		\$ 924.00
25t		\$ 924.00
30t		\$ 924.00
40t		\$ 924.00
50t		\$1033.73
60t		\$1033.73

\*Receiver cups included with new load cell purchase.

## INTERCHANGEABLE PRODUCTS

HBM.....	C16
Revere.....	ASC 15t to 40t

Main Dimensions and Accessories



RATED CAPACITY	DIMENSIONS												
	A	B	C	D	E	F	G	H	J	K	L	M	N
15t - 40t	7.87	3.00	1.73	5.91	3.23	4.00	3.35	2.52	1.25	0.28	1.25	0.39	1.50
50t - 60t	10.25	3.00	1.73	8.27	3.23	4.00	3.35	2.52	1.25	0.28	1.25	0.39	1.50

## SPECIFICATIONS

Rated Output (mV/V)	2.00	Input Impedance	700 +/- 10 ohms
Nonlinearity	+/- 0.03% FS	Output Impedance	700 +/- 5 ohms
Hysteresis	+/- 0.02% FS	Insulation Resistance	5000 Megohms
Repeatability	+/- 0.01% FS	Excitation Voltage	10V AC/DC (20V Max)
Creep (30 minutes)	+/- 0.02% FS	Compensated Temperature Range	-10°C - +40°C
Zero Balance	+/- 1.00% FS	Operating Temperature Range	-20°C - +60°C
Temperature Effect on Zero	+/- 0.0027% of rated output/°C	Safe Overload	150% FS
Temperature Effect on Output	+/- 0.0015% of applied load/°C	Cable Length	50' Braided Shield
Cable Color Code	Input Green +Excitation Black -Excitation	Output White +Signal Red -Signal	Seal Type Hermetically Sealed, IP67

# CG-175

► **COMPRESSION CANISTER**

► **STAINLESS STEEL**

Hermetically Sealed

Coti Global Sensors • 5699 Highway 53 Harvest, Alabama 35749 • Toll Free: 1-866-762-COTI(2684) • Fax: 256-852-9903 • www.cotiglobal.com



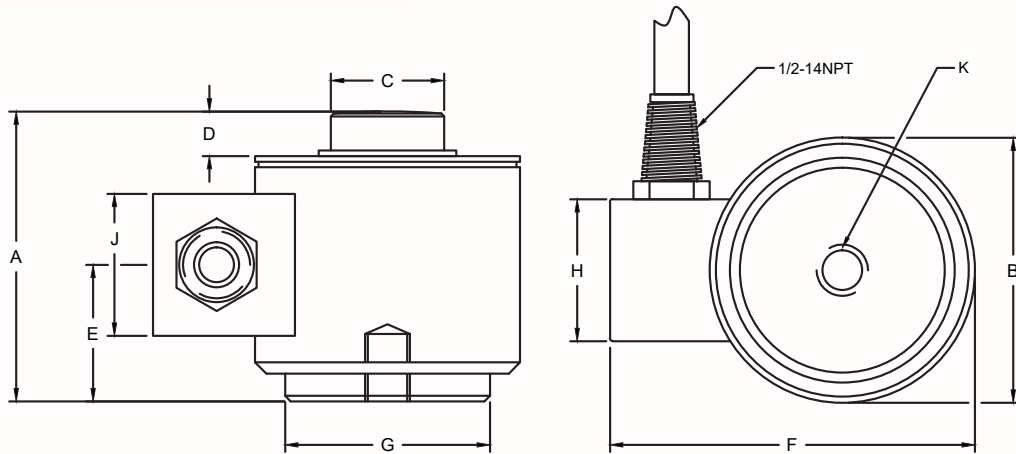
**CG-175 ORDER INFORMATION**      DISCOUNT C      SUGGESTED LIST PRICE

10K		\$1270.50
25K, 50K		\$1270.50
100K		\$1501.50
200K		\$1848.00
300K		\$1848.00
500K		\$3176.25

**INTERCHANGEABLE PRODUCTS**

Artech.....	90210
Cardinal.....	CP1
Howe Richardson.....	20908XXX
Revere Transducers.....	CP, 392B
Streeter Amet.....	.3751940, 3752030, 3752040, 3753070
Totalcomp.....	TCP1

Main Dimensions and Accessories



BOTTOM VIEW

RATED CAPACITY	DIMENSIONS									
	A	B	C	D	E	F	G	H	J	K
10K - 50K	3.25	2.88	1.25	0.40	1.58	4.00	2.28	1.57	1.57	1/2-20UNF x 0.31 DEEP
100K	5.00	4.12	2.31	0.51	2.45	5.13	3.25	1.97	1.57	3/4-16UNF x 0.56 DEEP
200K - 300K	7.25	6.00	3.13	1.04	3.65	7.00	4.88	1.97	1.97	3/4-16UNF x 0.75 DEEP
500K	9.00	6.50	3.69	1.00	4.81	7.63	5.37	1.97	1.97	3/4-16UNF x 0.75 DEEP

► **SPECIFICATIONS** ◀

Rated Output (mV/V)	1.75	Input Impedance	450 +/- 10 ohms
Nonlinearity	+/- 0.05% FS	Output Impedance	480 +/- 5 ohms
Hysteresis	+/- 0.03% FS	Insulation Resistance	5000 Megohms
Repeatability	+/- 0.01% FS	Excitation Voltage	10V AC/DC (20V Max)
Creep (30 minutes)	+/- 0.03% FS	Compensated Temperature Range	-10°C - +40°C
Zero Balance	+/- 1.00% FS	Operating Temperature Range	-20°C - +60°C
Temperature Effect on Zero	+/- 0.0027% of rated output/°C	Safe Overload	150% FS
Temperature Effect on Output	+/- 0.0015% of applied load/°C	Cable Length	50' Standard Cable
Cable Color Code	Input                      Output	Seal Type	Hermetically Sealed, IP67
	Green +Excitation      White +Signal		
	Black -Excitation      Red -Signal		

# CG-26S5

► **COMPRESSION CANISTER**

► **STAINLESS STEEL**  
Hermetically Sealed

Coti Global Sensors • 5699 Highway 53 Harvest, Alabama 35749 • Toll Free: 1-866-762-COTI(2684) • Fax: 256-852-9903 • www.cotiglobal.com



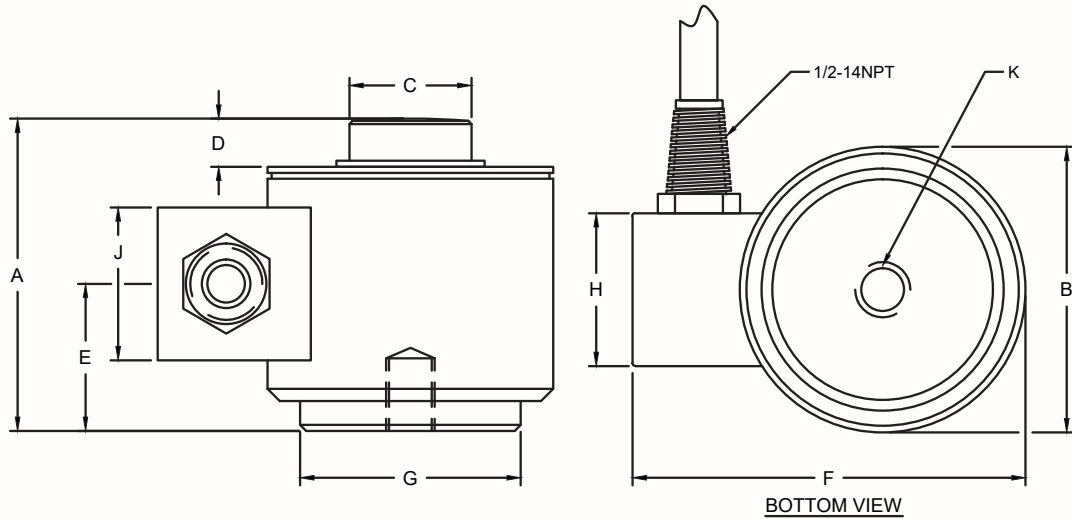
**CG-26S5 ORDER INFORMATION**      DISCOUNT C      SUGGESTED LIST PRICE

10K		\$1270.50
25K, 50K		\$1270.50
100K		\$1501.50
200K		\$1848.00
300K		\$1848.00
500K		\$3176.25

**INTERCHANGEABLE PRODUCTS**

Artech.....	90310
Howe Richardson.....	244699-000X
Revere Transducers.....	692B, CSP, CSP1
Rice Lake Weighing Systems.....	RLCSP1
Sensortronics.....	65088-1000
Streeter Amet.....	3760XXX
Totalcomp.....	TCSP1
Zemic .....	BM14A

Main Dimensions and Accessories



RATED CAPACITY	DIMENSIONS									
	A	B	C	D	E	F	G	H	J	K
10K - 50K	3.25	2.88	1.25	0.40	1.58	4.08	2.28	1.57	1.57	1/2-20UNF x 0.31 DEEP
100K	5.00	4.12	2.31	0.51	2.45	5.13	3.25	1.97	1.57	3/4-16UNF x 0.56 DEEP
200K - 300K	7.25	6.00	3.13	1.04	3.65	7.07	4.88	1.97	1.97	3/4-16UNF x 0.75 DEEP
500K	9.00	6.50	3.69	1.00	4.81	7.66	5.37	1.97	1.97	3/4-16UNF x 0.75 DEEP

► **SPECIFICATIONS** ◀

Rated Output (mV/V)	2.00	Input Impedance	450 +/- 10 ohms
Nonlinearity	+/- 0.05% FS	Output Impedance	480 +/- 5 ohms
Hysteresis	+/- 0.03% FS	Insulation Resistance	5000 Megohms
Repeatability	+/- 0.01% FS	Excitation Voltage	10V AC/DC (20V Max)
Creep (30 minutes)	+/- 0.03% FS	Compensated Temperature Range	-10°C - +40°C
Zero Balance	+/- 1.00% FS	Operating Temperature Range	-20°C - +60°C
Temperature Effect on Zero	+/- 0.0027% of rated output/°C	Safe Overload	150% FS
Temperature Effect on Output	+/- 0.0015% of applied load/°C	Cable Length	50' Standard Cable
Cable Color Code	Input                      Output	Seal Type	Hermetically Sealed, IP67
	Green +Excitation      White +Signal		
	Black -Excitation      Red -Signal		

# CG-26S6

▶ **ROCKER COLUMN**

▶ **STAINLESS STEEL**

Hermetically Sealed

NTEP 1:10,000 Class III Multiple Cell

Coti Global Sensors • 5699 Highway 53 Harvest, Alabama 35749 • Toll Free: 1-866-762-COTI(2684) • Fax: 256-852-9903 • www.cotiglobal.com



### CG-26S6 ORDER INFORMATION

	DISCOUNT C	SUGGESTED LIST PRICE
15t		\$ 840.00
22.5t		\$ 840.00
30t		\$ 960.75
40t		\$ 960.75
100K		\$ 960.75
50t		\$1212.75

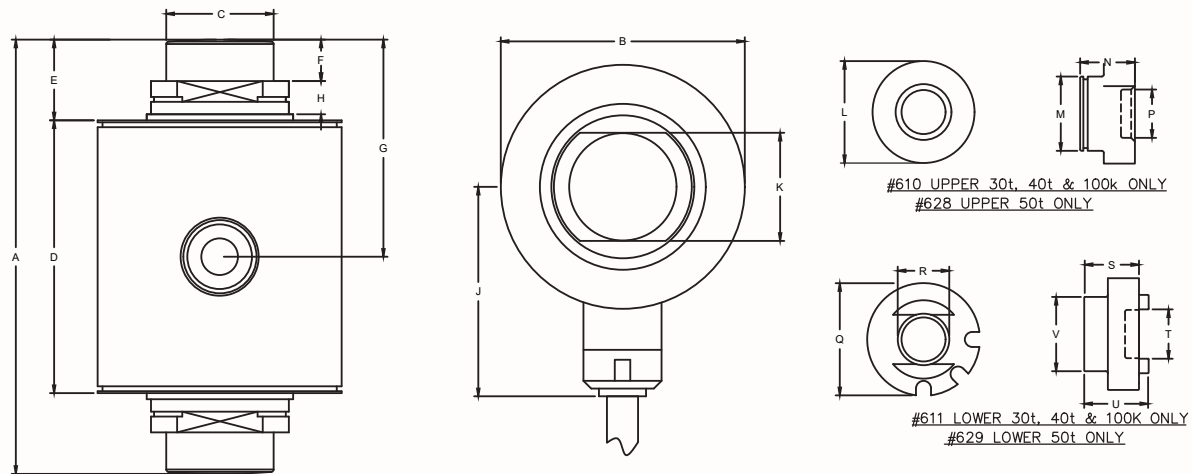
### ACCESSORIES

	DISCOUNT C	SUGGESTED LIST PRICE
610 30-40t, 100K Upper Receiver Cup		\$ 131.25
611 30-40t, 100K Lower Receiver Cup		\$ 131.25
628 50t Upper Receiver Cup		\$ 131.25
629 50t Lower Receiver Cup		\$ 131.25

### INTERCHANGEABLE PRODUCTS

Fairbanks.....LCF-HR-4020-2A (30t), LCF-HR-4020-4A (50t)  
 LCF-HR-4020-22 (22.5t), 70510 (30t), Fairbanks LCF-HR-4020-21 (100K)  
 Flintec..... RC3  
 Rice Lake Weighing Systems..... RL70510 (30t), ... RL80453 (100k)  
 Toledo..... SLC610 (15t-22.5t)

Main Dimensions and Accessories



RATED CAPACITY	DIMENSIONS																			
	A	B	C	D	E	F	G	H	J	K	L	M	N	P	Q	R	S	T	U	V
7.5t-15t	3.50	2.56	1.10	1.60	0.91	0.43	1.75	0.24	2.63	1.10	-	-	-	-	-	-	-	-	-	-
22.5t	3.50	2.56	1.10	1.60	0.91	0.43	1.75	0.24	2.63	1.10	-	-	-	-	-	-	-	-	-	-
30t	5.51	2.95	1.54	3.19	1.10	0.51	2.75	0.26	2.86	1.54	3.74	2.48	1.38	1.61	3.74	1.66	1.38	1.55	1.62	2.48
40t	5.91	2.95	1.54	3.19	1.30	0.51	2.95	0.46	2.86	1.54	3.74	2.48	1.38	1.61	3.74	1.66	1.38	1.55	1.62	2.48
100k	5.91	2.95	1.54	3.19	1.30	0.51	2.95	0.46	2.86	1.54	3.74	2.48	1.38	1.61	3.74	1.66	1.38	1.55	1.62	2.48
50t	7.01	3.90	1.73	4.22	1.34	0.67	3.50	0.33	3.38	1.73	3.74	2.72	2.01	1.77	4.13	1.81	2.01	1.77	2.36	2.72

## SPECIFICATIONS

Rated Output (mV/V)	2.00	Input Impedance	1150 +/- 50 ohms
Nonlinearity	+/- 0.03% FS	Output Impedance	1000 +/- 5 ohms
Hysteresis	+/- 0.02% FS	Insulation Resistance	5000 Megohms
Repeatability	+/- 0.01% FS	Excitation Voltage	10V AC/DC (20V Max)
Creep (30 minutes)	+/- 0.02% FS	Compensated Temperature Range	-10°C - +40°C
Zero Balance	+/- 1.00% FS	Operating Temperature Range	-20°C - +60°C
Temperature Effect on Zero	+/- 0.0027% of rated output/°C	Safe Overload	150% FS
Temperature Effect on Output	+/- 0.0015% of applied load/°C	Cable Length	50' Braided Cable
Cable Color Code	Input Green +Excitation Black -Excitation	Output White +Signal Red -Signal	Seal Type Hermetically Sealed, IP68



# CG-26S7

▶ **ROCKER COLUMN**

▶ **STAINLESS STEEL**

Hermetically Sealed

NTEP 1:10,000 Class III Multiple Cell

Coti Global Sensors • 5699 Highway 53 Harvest, Alabama 35749 • Toll Free: 1-866-762-COTI(2684) • Fax: 256-852-9903 • www.cotiglobal.com



### CG-26S7 ORDER INFORMATION

	DISCOUNT C	SUGGESTED LIST PRICE
20t		\$ 924.00
30t		\$ 924.00
30t-797		\$ 981.75
50t		\$ 924.00
50t-797		\$ 981.75
100t		\$1386.00

### ACCESSORIES

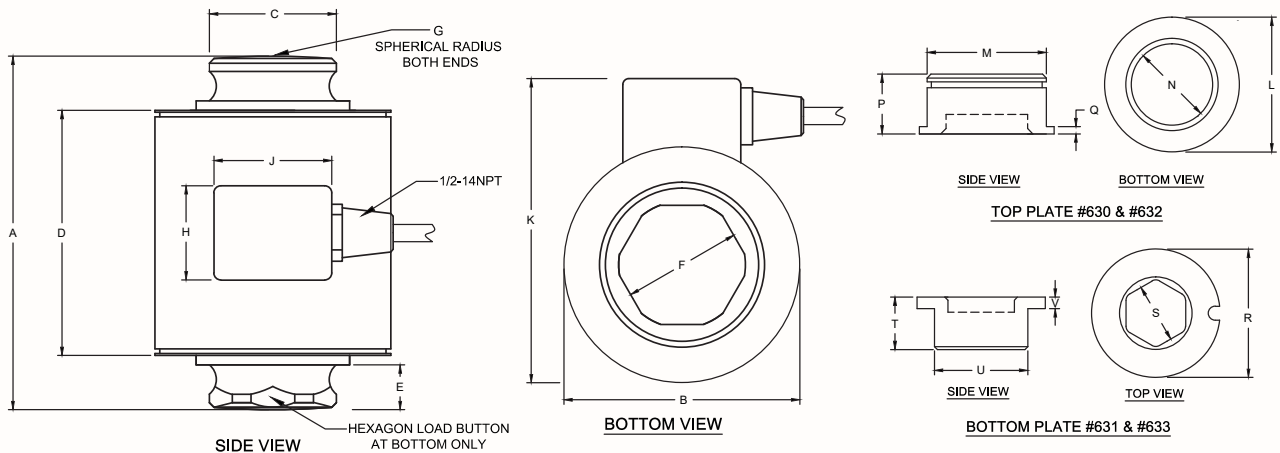
	DISCOUNT C	SUGGESTED LIST PRICE
630 Upper Receiver Cup	20t - 50t	\$ 103.95
631 Lower Receiver Cup	20t - 50t	\$ 103.95
632 Upper Receiver Cup	100t	\$ 284.16
633 Lower Receiver Cup	100t	\$ 284.16

### INTERCHANGEABLE PRODUCTS

Toledo.....		0782
Toledo.....20t.....		71201708
Toledo.....30t.....		71201709
Toledo.....50t.....		71201710
Toledo.....100t.....		71201711



Main Dimensions and Accessories



21.FM APPROVED

RATED CAPACITY	DIMENSIONS										
	A	B	C	D	E	F	G	H	J	K	
20t-30t	5.91	2.99	1.49	4.10	0.75	1.40	6.30	1.57	1.97	1.12	
30t-797	7.97	2.99	1.49	6.17	0.75	1.40	12.00	1.57	1.97	4.12	
50t	5.91	2.99	1.49	4.10	0.75	1.40	12.00	1.57	1.97	4.12	
50t-797	7.97	2.99	1.49	6.17	0.75	1.40	12.00	1.57	1.97	4.12	
100t	5.91	4.02	2.12	4.10	0.75	1.99	12.00	1.57	1.97	5.10	

PART NUMBER	RATED CAPACITY	DIMENSIONS									
		L	M	N	P	Q	R	S	T	U	V
630/631	20t - 50t	3.75	2.48	1.50	1.25	0.50	3.75	1.42	1.25	2.48	0.50
632/633	100t	3.54	3.13	2.14	1.57	0.19	4.33	2.01	1.77	3.15	0.39

## SPECIFICATIONS

Rated Output (mV/V)	2.00	Input Impedance	1160 +/- 10 ohms
Nonlinearity	+/- 0.03% FS	Output Impedance	1000 +/- 5 ohms
Hysteresis	+/- 0.02% FS	Insulation Resistance	5000 Megohms
Repeatability	+/- 0.01% FS	Excitation Voltage	10V AC/DC (20V Max)
Creep (30 minutes)	+/- 0.02% FS	Compensated Temperature Range	-10°C - +40°C
Zero Balance	+/- 1.00% FS	Operating Temperature Range	-20°C - +60°C
Temperature Effect on Zero	+/- 0.0027% of rated output/°C	Safe Overload	150% FS
Temperature Effect on Output	+/- 0.0015% of applied load/°C	Cable Length	50' Braided Cable
Cable Color Code	Input Green +Excitation Black -Excitation	Output White +Signal Red -Signal	Seal Type Hermetically Sealed, IP67

# CG-92 & CG-93

► **COMPRESSION CANISTER**

► **STAINLESS STEEL**

Hermetically Sealed

Coti Global Sensors • 5699 Highway 53 Harvest, Alabama 35749 • Toll Free: 1-866-762-COTI(2684) • Fax: 256-852-9903 • www.cotiglobal.com



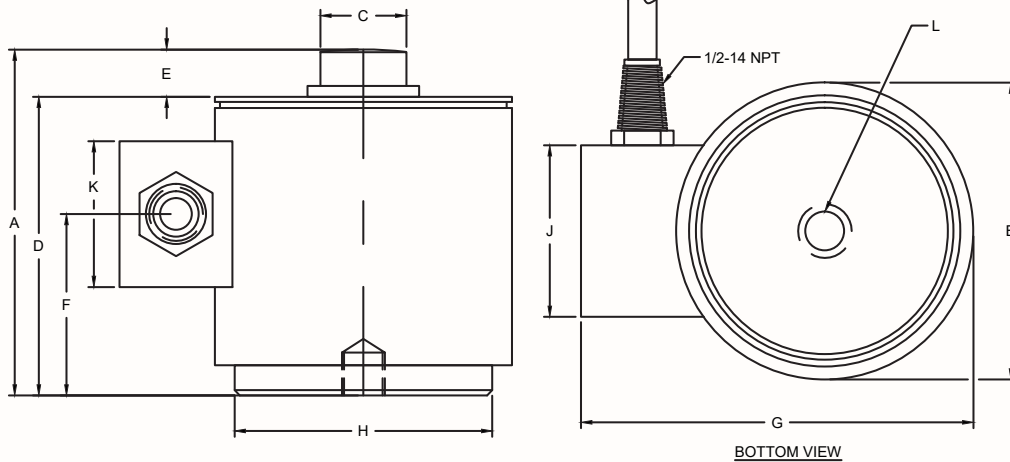
**CG-92 & CG-93 ORDER INFORMATION**      **DISCOUNT C**      **SUGGESTED LIST PRICE**

5K		\$1461.08
10K		\$1461.08
20K		\$1492.26
25K		\$1492.26
50K		\$1492.26
100K		\$1651.65
150K		\$2159.85
200K		\$2159.85

**INTERCHANGEABLE PRODUCTS**

Revere.....	92
Totalcomp.....	T92
Revere.....	93
Totalcomp.....	T93

Main Dimensions and Accessories



RATED CAPACITY	DIMENSIONS										
	A	B	C	D	E	F	G	H	J	K	L
5K - 10K	4.00	3.53	1.00	3.56	0.40	2.09	4.59	3.23	1.57	1.57	1/2-20 UNF x 0.50 DEEP
20K - 25K	5.00	3.53	1.00	4.56	0.57	2.59	4.59	3.23	1.57	1.57	1/2-20 UNF x 0.50 DEEP
50K	6.00	4.48	1.50	5.44	0.72	3.25	3.23	3.86	1.97	1.97	3/4-16 UNF x 0.75 DEEP
100K	8.50	5.03	1.75	7.81	0.80	5.25	4.87	4.49	1.97	1.97	3/4-16 UNF x 0.75 DEEP
150K - 200K	11.03	6.07	2.50	10.14	0.92	6.00	7.54	5.75	1.97	1.97	3/4-16 UNF x 0.75 DEEP

► **SPECIFICATIONS** ◀

Rated Output (mV/V)	2.00 or 3.00	Input Impedance	380 +/- 10 ohms
Nonlinearity	+/- 0.05% FS	Output Impedance	350 +/- 5 ohms
Hysteresis	+/- 0.03% FS	Insulation Resistance	5000 Megohms
Repeatability	+/- 0.01% FS	Excitation Voltage	10V AC/DC (20V Max)
Creep (30 minutes)	+/- 0.03% FS	Compensated Temperature Range	-10°C - +40°C
Zero Balance	+/- 1.00% FS	Operating Temperature Range	-20°C - +60°C
Temperature Effect on Zero	+/- 0.0027% of rated output/°C	Safe Overload	150% FS
Temperature Effect on Output	+/- 0.0015% of applied load/°C	Cable Length	50' Standard Cable
Cable Color Code	Input                      Output	Seal Type	Hermetically Sealed, IP67
	Green +Excitation      White +Signal		
	Black -Excitation      Red -Signal		

# CG-CC22

► **COMPRESSION CANISTER**

► **STAINLESS STEEL**

Hermetically Sealed

Coti Global Sensors • 5699 Highway 53 Harvest, Alabama 35749 • Toll Free: 1-866-762-COTI(2684) • Fax: 256-852-9903 • www.cotiglobal.com



**CG-CC22 ORDER INFORMATION**      DISCOUNT C      SUGGESTED LIST PRICE

50K		\$1524.60
100K		\$1905.75

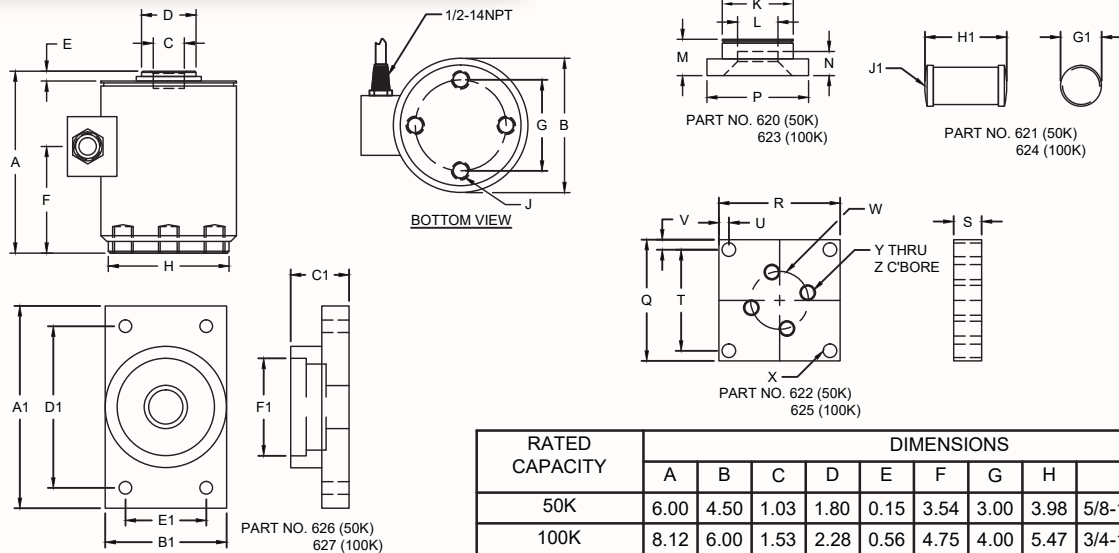
**ACCESSORIES**      MOUNTING HARDWARE      DISCOUNT C      SUGGESTED LIST PRICE

620	50K	Cap	\$ 404.25
621	50K	Pin	\$ 132.83
622	50K	Bottom Base Plate	\$ 617.93
623	100K	Cap	\$ 617.93
624	100K	Pin	\$ 132.83
625	100K	Bottom Base Plate	\$ 889.35
626	50K	Casting Upper Part	\$ 346.50
627	100K	Casting Upper Part	\$ 462.00

**INTERCHANGEABLE PRODUCTS**

Toledo.....	B10883600A
Toledo.....	B10887700A
Totalcomp.....	T752

Main Dimensions and Accessories



RATED CAPACITY	DIMENSIONS									
	A	B	C	D	E	F	G	H	J	
50K	6.00	4.50	1.03	1.80	0.15	3.54	3.00	3.98	5/8-18 UNF x0.50 ▼	
100K	8.12	6.00	1.53	2.28	0.56	4.75	4.00	5.47	3/4-16 UNF x0.75 ▼	

ACCESSORIES	DIMENSIONS																								
	K	L	M	N	P	Q	R	S	T	U	V	W	X	Y	Z	A1	B1	C1	D1	E1	F1	G1	H1	J1	
620-50K CAP	2.47	1.02	1.25	0.80	3.75	-	-	-	-	-	-	-	-	-	-	-	-	-	-	-	-	-	-	-	-
621-50K PIN	-	-	-	-	-	-	-	-	-	-	-	-	-	-	-	-	-	-	-	-	-	-	0.98	1.81	12.00
622-50K BASE	-	-	-	-	-	6.00	6.00	2.00	4.00	1.00	1.00	3.00	0.70	0.70	1.20x0.75▼	-	-	-	-	-	-	-	-	-	-
623-100K CAP	2.70	1.50	1.50	0.63	3.75	-	-	-	-	-	-	-	-	-	-	-	-	-	-	-	-	-	-	-	-
624-100K PIN	-	-	-	-	-	-	-	-	-	-	-	-	-	-	-	-	-	-	-	-	-	-	1.45	2.75	15.75
625-100K BASE	-	-	-	-	-	8.00	8.00	2.00	6.00	1.00	1.00	4.00	0.82	0.82	1.25x1.00▼	-	-	-	-	-	-	-	-	-	-
626-50K UPPER CAST	-	-	-	-	-	-	-	-	-	-	-	-	-	-	-	10.00	6.00	2.63	7.50	4.00	4.82	-	-	-	-
627-100K UPPER CAST	-	-	-	-	-	-	-	-	-	-	-	-	-	-	-	12.50	7.63	4.50	10.00	5.50	6.32	-	-	-	-

► **SPECIFICATIONS** ◀

Rated Output (mV/V)	2.00	Input Impedance	820 +/- 10 ohms
Nonlinearity	+/- 0.05% FS	Output Impedance	775 +/- 5 ohms
Hysteresis	+/- 0.03% FS	Insulation Resistance	5000 Megohms
Repeatability	+/- 0.01% FS	Excitation Voltage	10V AC/DC (20V Max)
Creep (30 minutes)	+/- 0.03% FS	Compensated Temperature Range	-10°C - +40°C
Zero Balance	+/- 1.00% FS	Operating Temperature Range	-20°C - +60°C
Temperature Effect on Zero	+/- 0.0027% of rated output/°C	Safe Overload	150% FS
Temperature Effect on Output	+/- 0.0015% of applied load/°C	Cable Length	50' 6 Conductor Cable
Cable Color Code		Seal Type	Hermetically Sealed, IP67

Input	Output	Sense Leads
White +Excitation	Green +Signal	Yellow +Sense
Blue -Excitation	Black -Signal	Red -Sense

# CG-CP22

► **COMPRESSION CANISTER**

► **STAINLESS STEEL**  
Hermetically Sealed

Coti Global Sensors • 5699 Highway 53 Harvest, Alabama 35749 • Toll Free: 1-866-762-COTI(2684) • Fax: 256-852-9903 • www.cotiglobal.com



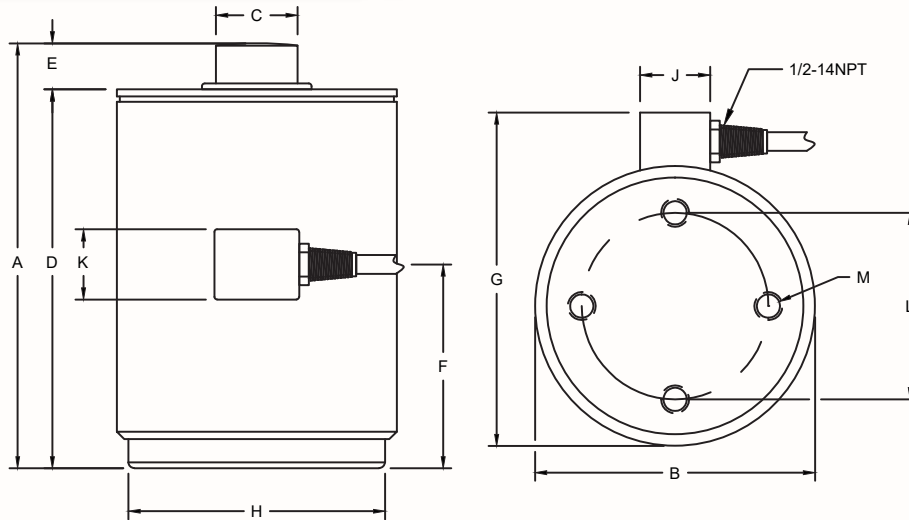
**CG-CP22 ORDER INFORMATION** DISCOUNT C SUGGESTED LIST PRICE

5K	\$1461.08
10K	\$1461.08
15K	\$1651.65
20K	\$1651.65
50K	\$1651.65

**INTERCHANGEABLE PRODUCTS**

Toledo.....	04966Series
	04967Series
	04968Series
Totalcomp.....	T496

Main Dimensions and Accessories



RATED CAPACITY	DIMENSIONS											
	A	B	C	D	E	F	G	H	J	K	L	M
5K - 10K	5.31	4.00	1.00	4.71	0.76	2.94	5.14	3.43	1.57	1.57	2.38	3/8-24UNFx0.62 DEEP
15K - 50K	7.12	4.50	1.25	6.30	0.95	3.26	5.65	3.82	1.97	1.97	2.38	3/8-24UNFx0.62 DEEP

► **SPECIFICATIONS** ◀

Rated Output (mV/V)	2.00	Input Impedance	260 +/- 10 ohms
Nonlinearity	+/- 0.05% FS	Output Impedance	240 +/- 5 ohms
Hysteresis	+/- 0.03% FS	Insulation Resistance	5000 Megohms
Repeatability	+/- 0.01% FS	Excitation Voltage	10V AC/DC (20V Max)
Creep (30 minutes)	+/- 0.03% FS	Compensated Temperature Range	-10°C - +40°C
Zero Balance	+/- 1.00% FS	Operating Temperature Range	-20°C - +60°C
Temperature Effect on Zero	+/- 0.0027% of rated output/°C	Safe Overload	150% FS
Temperature Effect on Output	+/- 0.0015% of applied load/°C	Cable Length	50' Standard Cable
Cable Color Code	Input	Output	Seal Type
	Green +Excitation	White +Signal	Hermetically Sealed, IP67
	Black -Excitation	Red -Signal	

# CG-412

► **COMPRESSION CANISTER**

► **STAINLESS STEEL**

Coti Global Sensors • 5699 Highway 53 Harvest, Alabama 35749 • Toll Free: 1-866-762-COTI(2684) • Fax: 256-852-9903 • www.cotiglobal.com



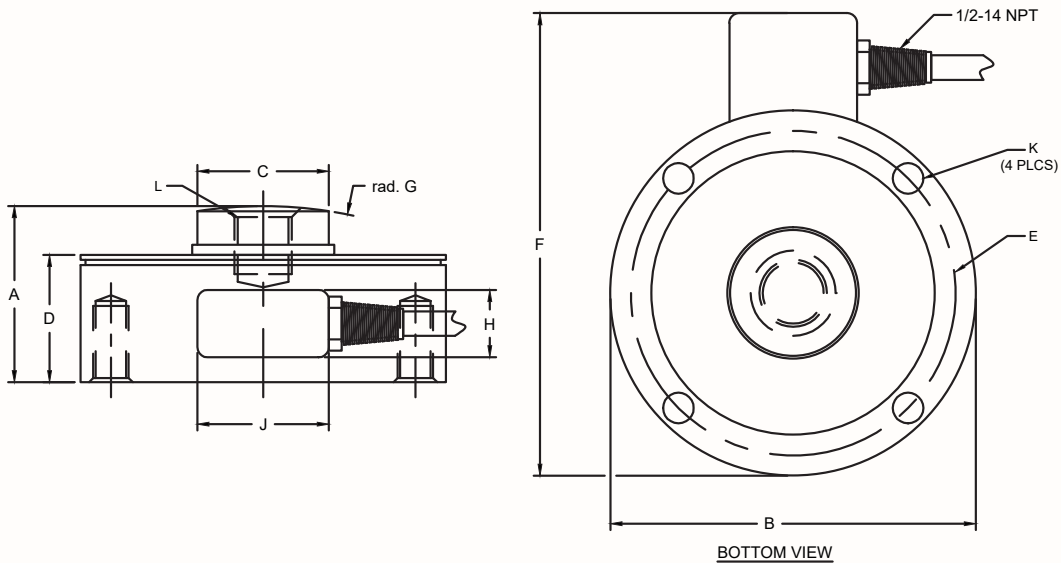
CG-412 ORDER INFORMATION	DISCOUNT C	SUGGESTED LIST PRICE
10K, 15K, 20K, 25K, 30K, 50K		\$ 1039.50

**WEIGH MODULE AVAILABLE**

Coti Global Sensors

CG-412M see page 129

Main Dimensions and Accessories



RATED CAPACITY	DIMENSIONS										
	A	B	C	D	E	F	G	H	J	K	L
10K - 25K	2.17	4.50	1.62	1.57	4.00	5.70	2.50	0.79	1.57	3/8-24x1.00" ▼	3/4-16x1.00" ▼
30K - 50K	2.51	4.50	1.62	1.93	4.00	5.70	2.50	0.79	1.57	3/8-24x1.00" ▼	3/4-16x1.00" ▼

► **SPECIFICATIONS** ◀

Rated Output (mV/V)	2.00	Input Impedance	1080 +/- 10 ohms
Nonlinearity	+/- 0.05% FS	Output Impedance	1000 +/- 5 ohms
Hysteresis	+/- 0.03% FS	Insulation Resistance	5000 Megohms
Repeatability	+/- 0.01% FS	Excitation Voltage	10V AC/DC (20V Max)
Creep (30 minutes)	+/- 0.03% FS	Compensated Temperature Range	-10°C - +40°C
Zero Balance	+/- 1.00% FS	Operating Temperature Range	-20°C - +60°C
Temperature Effect on Zero	+/- 0.0027% of rated output/°C	Safe Overload	150% FS
Temperature Effect on Output	+/- 0.0015% of applied load/°C	Cable Length	4 Conductor, 50'
Cable Color Code	Input Green +Excitation Black -Excitation	Output White +Signal Red -Signal	Seal Type Hermetically-Sealed

# CG-RLC

► **COMPRESSION CANISTER**

► **STAINLESS STEEL**

OIML C3 3000 divisions,  
NTEP 111M-5000, NTEP 111L-M 10000

Coti Global Sensors • 5699 Highway 53 Harvest, Alabama 35749 • Toll Free: 1-866-762-COTI(2684) • Fax: 256-852-9903 • www.cotiglobal.com



**CG-RLC ORDER INFORMATION**    DISCOUNT C    SUGGESTED LIST PRICE

.5t		\$ 735.00
1t		\$ 735.00
2t		\$ 787.50
3.5t		\$ 787.50
5t		\$ 787.50
10t		\$ 787.50

**INTERCHANGEABLE PRODUCTS**

Revere..... RLC

Main Dimensions and Accessories

RATED CAP (t)	A	B	C	D	E	F	G	H	J
0.5t, 1t	1.0	15.0	25.0	9.5	M10-1.5	Ø 19	Ø 25	Ø 70	Ø 80
2t, 3.5t, 5t	6.0	20.0	30.0	8.5	15 H7	Ø 19	Ø 25	Ø 70	Ø 80
10t	NA	14.8	35.0	10.0	Ø 24.9	Ø 29.1	NA	Ø 83	Ø 95

► **SPECIFICATIONS** ◀

Rated Output (mV/V)	2.00	Input Impedance	1110 +/- 50 ohms
Nonlinearity	+/- 0.02% FS	Output Impedance	1025 +/- 25 ohms
Hysteresis	+/- 0.02% FS	Insulation Resistance	5000 Megohms
Repeatability	+/- 0.01% FS	Excitation Voltage	10V AC/DC (30V Max)
Creep (30 minutes)	+/- 0.03% FS	Compensated Temperature Range	-10°C - +40°C
Zero Balance	+/- 1.00% FS	Operating Temperature Range	-20°C - +60°C
Temperature Effect on Zero	+/- 0.0027% of rated output/°C	Safe Overload	150% FS
Temperature Effect on Output	+/- 0.0015% of applied load/°C	Cable Length	5M (16.4ft), 10t - 10M (32.5ft)
Cable Color Code	Input Pink +Excitation Gray -Excitation	Output Brown +Signal White -Signal	Seal Type IP68
Clear: Shield			



# CG-SP9

► **COMPRESSION CANISTER**

► **STAINLESS STEEL**

Coti Global Sensors • 5699 Highway 53 Harvest, Alabama 35749 • Toll Free: 1-866-762-COTI(2684) • Fax: 256-852-9903 • www.cotiglobal.com



**CG-SP9 ORDER INFORMATION**    DISCOUNT C    SUGGESTED LIST PRICE

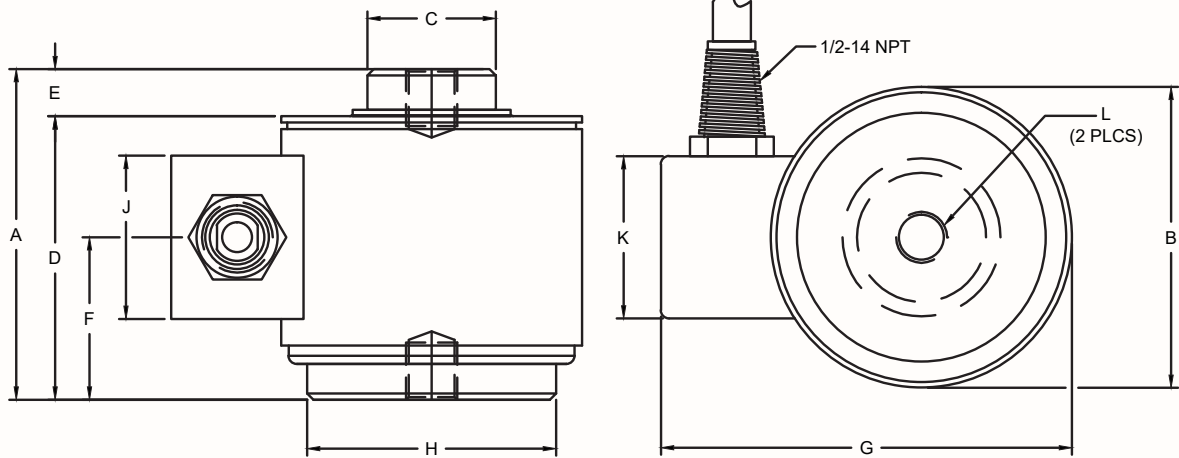
1K, 2K, 2.5K, 5K, 10K, 20K, 25K, 50K		\$ 1,039.50
100K		\$ 1,155.00
150K, 200K, 250K		\$ 1,617.00

**WEIGH MODULE AVAILABLE**

Coti Global Sensors

CG-SP9M see page 134

Main Dimensions and Accessories



BOTTOM VIEW

RATED CAPACITY	DIMENSIONS										
	A	B	C	D	E	F	G	H	J	K	L (2 PLCS)
500LB - 1K	3.25	3.00	1.25	2.82	0.57	1.57	4.08	2.28	1.57	1.57	1/2-20x0.50
2K - 50K	3.25	3.00	1.25	2.82	0.61	1.57	4.08	2.28	1.57	1.57	1/2-20x0.50
100K	5.00	4.00	2.31	4.43	0.72	2.44	5.13	3.13	1.57	1.97	1/2-20x0.50
150K - 250K	7.25	6.00	3.00	6.25	1.15	3.34	7.07	5.28	1.97	1.97	1/2-20x0.50

► **SPECIFICATIONS** ◀

Rated Output (mV/V)	2.00	Input Impedance	380 +/- 10 ohms
Nonlinearity	+/- 0.05% FS	Output Impedance	350 +/- 5 ohms
Hysteresis	+/- 0.03% FS	Insulation Resistance	5000 Megohms
Repeatability	+/- 0.01% FS	Excitation Voltage	10V AC/DC (20V Max)
Creep (30 minutes)	+/- 0.03% FS	Compensated Temperature Range	-10°C - +40°C
Zero Balance	+/- 1.00% FS	Operating Temperature Range	-20°C - +60°C
Temperature Effect on Zero	+/- 0.0027% of rated output/°C	Safe Overload	150% FS
Temperature Effect on Output	+/- 0.0015% of applied load/°C	Cable Length	4 Conductor, 30' Standard Cable
Cable Color Code	Input Green +Excitation Black -Excitation	Output White +Signal Red -Signal	Seal Type Hermetically-Sealed

# CG-1211

► **COMPRESSION CANISTER**

► **STAINLESS STEEL**

Coti Global Sensors • 5699 Highway 53 Harvest, Alabama 35749 • Toll Free: 1-866-762-COTI(2684) • Fax: 256-852-9903 • www.cotiglobal.com



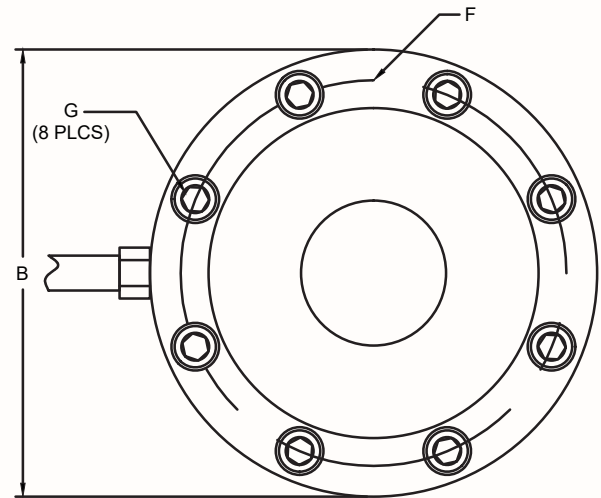
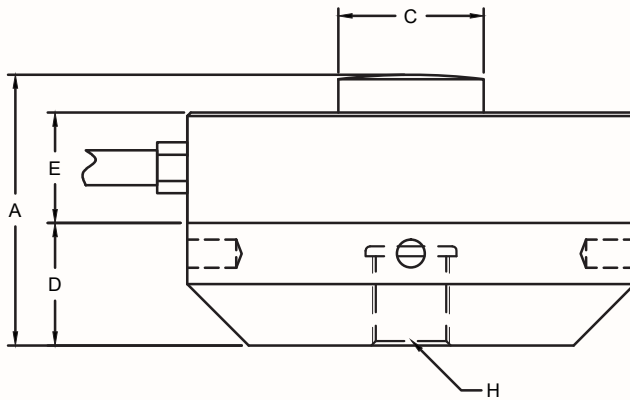
**CG-1211 ORDER INFORMATION**    DISCOUNT C    SUGGESTED LIST PRICE

5K		\$ 762.30
10K		\$ 762.30

**INTERCHANGEABLE PRODUCTS**

Hydraulic Truck Scale .....	Totalizer 5K
Interface.....	1211

Main Dimensions and Accessories



TOP VIEW

RATED CAPACITY	DIMENSIONS							
	A	B	C	D	E	F	G	H
5K - 10K	2.50	4.13	1.34	1.13	1.02	3.56	M6	5/8-18x0.88▼

► **SPECIFICATIONS** ◀

Rated Output (mV/V)	4.00	Input Impedance	380 +/- 10 ohms
Nonlinearity	+/- 0.05% FS	Output Impedance	350 +/- 5 ohms
Hysteresis	+/- 0.03% FS	Insulation Resistance	5000 Megohms
Repeatability	+/- 0.01% FS	Excitation Voltage	10V AC/DC (20V Max)
Creep (30 minutes)	+/- 0.03% FS	Compensated Temperature Range	-10°C - +40°C
Zero Balance	+/- 1.00% FS	Operating Temperature Range	-20°C - +60°C
Temperature Effect on Zero	+/- 0.0027% of rated output/°C	Safe Overload	150% FS
Temperature Effect on Output	+/- 0.0015% of applied load/°C	Cable Length	20' Standard Cable
Cable Color Code	Input	Output	Seal Type
	Green +Excitation	White +Signal	Environmentally-Sealed
	Black -Excitation	Red -Signal	



# CG-94

► **COMPRESSION CANISTER**

► **ALLOY STEEL  
STAINLESS STEEL**

Coti Global Sensors • 5699 Highway 53 Harvest, Alabama 35749 • Toll Free: 1-866-762-COTI(2684) • Fax: 256-852-9903 • www.cotiglobal.com



**CG-94 ORDER INFORMATION**    DISCOUNT C    SUGGESTED LIST PRICE

Alloy Steel		
50K		\$ 970.20
100K		\$ 981.75
200K		\$1443.75
300K		\$1443.75

**CG-94-SS ORDER INFORMATION**    DISCOUNT C    SUGGESTED LIST PRICE

Stainless Steel		
50K		\$1258.95
100K		\$1533.00
200K		\$2152.50
300K		\$2152.50

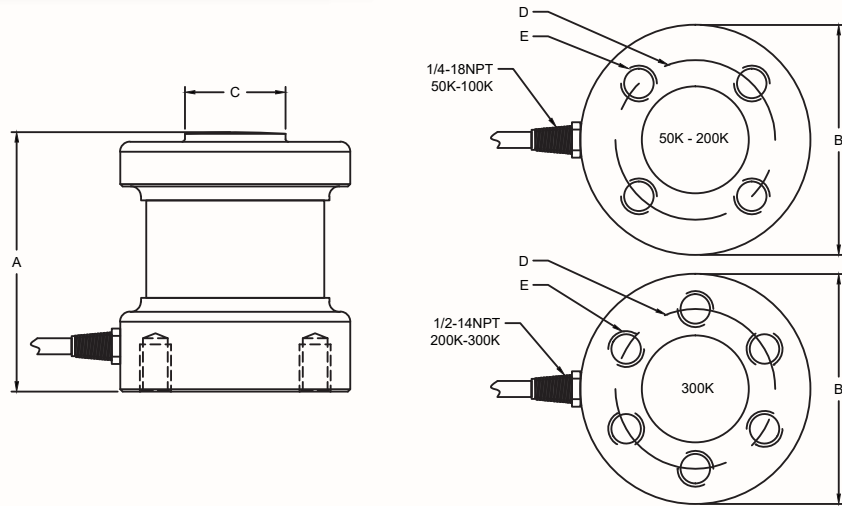
**INTERCHANGEABLE PRODUCTS**

Sensortronics..... 65094

**WEIGH MODULE AVAILABLE**

Coti Global Sensors..... CG94M-MS see page 132  
Coti Global Sensors..... CG94M-SM see page 133

Main Dimensions and Accessories



RATED CAPACITY	DIMENSIONS					
	A	B	C	D	E	
50K	3.25	2.88	1.25	2.00	3/8-24x0.40▼ (4 PLCS)	
100K	5.00	3.94	2.31	3.00	1/2-20x0.88▼ (4 PLCS)	
200K	6.62	5.94	3.00	5.00	3/4-16x0.88▼ (4 PLCS)	
300K	7.00	5.94	3.00	5.00	3/4-16x0.88▼ (6 PLCS)	

► **SPECIFICATIONS** ◀

Rated Output (mV/V)	2.00	Input Impedance	385 +/- 10 ohms
Nonlinearity	+/- 0.05% FS	Output Impedance	350 +/- 5 ohms
Hysteresis	+/- 0.03% FS	Insulation Resistance	5000 Megohms
Repeatability	+/- 0.01% FS	Excitation Voltage	10V AC/DC (20V Max)
Creep (30 minutes)	+/- 0.03% FS	Compensated Temperature Range	-10°C - +40°C
Zero Balance	+/- 1.00% FS	Operating Temperature Range	-20°C - +60°C
Temperature Effect on Zero	+/- 0.0027% of rated output/°C	Safe Overload	150% FS
Temperature Effect on Output	+/- 0.0015% of applied load/°C	Cable Length	50' Braided Shield Cable
Cable Color Code	Input	Output	Seal Type
	Green +Excitation	White +Signal	Environmentally-Sealed, IP67
	Black -Excitation	Red -Signal	

# CG-JRT

▶ TORSION RING TRANSDUCER

▶ ALLOY STEEL

Coti Global Sensors • 5699 Highway 53 Harvest, Alabama 35749 • Toll Free: 1-866-762-COTI(2684) • Fax: 256-852-9903 • www.cotiglobal.com



### CG-JRT ORDER INFORMATION

	DISCOUNT C	SUGGESTED LIST PRICE
20K		\$ 1039.50
50K		\$ 1149.23
75K		\$ 1270.50
100K		\$ 1270.50
150K		\$ 3959.92
200K		\$ 3959.92

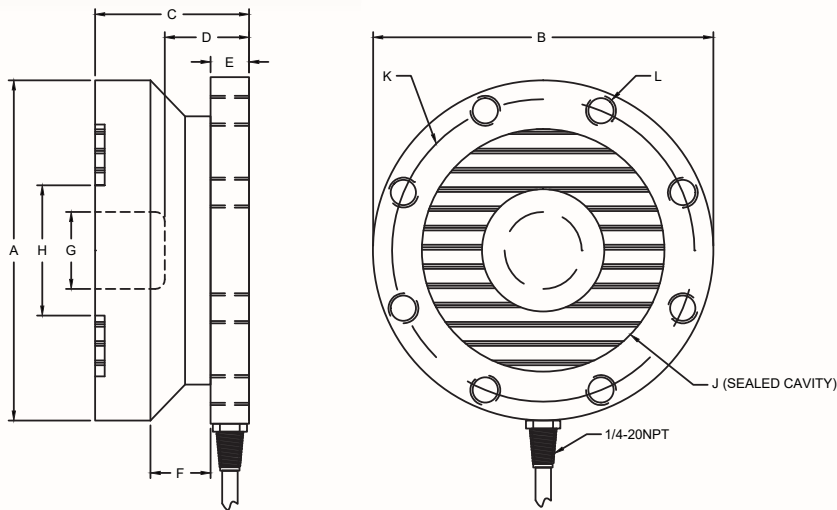
### ACCESSORIES

	DISCOUNT G	SUGGESTED LIST PRICE
684	Rocker Pin 50K - 100K	\$ 68.25

### INTERCHANGEABLE PRODUCTS

HBM.....	JRT
Toledo.....	600862-035 50K
Toledo.....	600864-035 100K
Toledo.....	790

Main Dimensions and Accessories



RATED CAPACITY	DIMENSIONS										
	A	B	C	D	E	F	G	H	J	K	L
20K	4.42	4.50	2.00	1.25	0.50	0.75	1.00	1.69	3.27	3.93	3/8-24 UNF
50K	5.42	5.50	2.50	1.50	0.50	1.00	1.50	2.19	3.90	4.76	7/16-20 UNF
75K	5.42	5.50	2.50	1.50	0.50	1.00	1.50	2.19	3.90	4.76	7/16-20 UNF
100K	5.42	5.50	2.63	1.50	0.50	1.00	1.50	2.19	3.90	4.76	7/16-20 UNF
150K	5.92	6.00	3.40	1.90	0.50	1.40	2.00	2.64	4.33	5.30	1/2-20 UNF
200K	5.92	6.00	3.40	1.90	0.50	1.40	2.00	2.64	4.33	5.30	1/2-20 UNF

## SPECIFICATIONS

Rated Output (mV/V)	2.00	Input Impedance	750 +/- 10 ohms
Nonlinearity	+/- 0.05% FS	Output Impedance	700 +/- 5 ohms
Hysteresis	+/- 0.03% FS	Insulation Resistance	5000 Megohms
Repeatability	+/- 0.01% FS	Excitation Voltage	10V AC/DC (20V Max)
Creep (30 minutes)	+/- 0.03% FS	Compensated Temperature Range	-10°C - +40°C
Zero Balance	+/- 1.00% FS	Operating Temperature Range	-20°C - +60°C
Temperature Effect on Zero	+/- 0.0027% of rated output/°C	Safe Overload	150% FS
Temperature Effect on Output	+/- 0.0015% of applied load/°C	Cable Length	50' Standard Cable
Cable Color Code	Input Green +Excitation Black -Excitation	Output White +Signal Red -Signal	Seal Type Environmentally-Sealed, IP67

# CG-21 & CG-31

▶ **TENSION/COMPRESSION CANISTER**

▶ **STAINLESS STEEL**  
Hermetically Sealed

Coti Global Sensors • 5699 Highway 53 Harvest, Alabama 35749 • Toll Free: 1-866-762-COTI(2684) • Fax: 256-852-9903 • www.cotiglobal.com



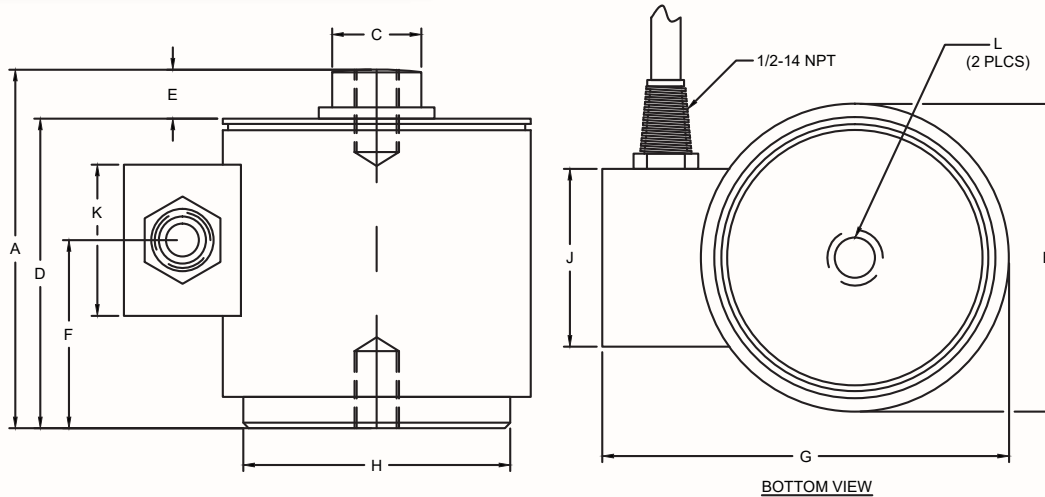
**CG-21 & CG-31 ORDER INFORMATION**      **DISCOUNT C**      **SUGGESTED LIST PRICE**

500 lb, 750 lb, 1K, 2K, 3K,		\$1175.21
5K, 10K		\$1334.03
20K, 25K, 30K		\$1588.13
50K, 100K		\$2032.80

**INTERCHANGEABLE PRODUCTS**

BLH.....	T2P1, T3P1, BLH C3P1
Fairbanks.....	657090, 657091, 3-38054-X, 3-39897-X, 3-40766-X
Streeter Richardson.....	2011711, 20117XX
Streeter Richardson.....	2011712
Totalcomp.....	TT2P1, TC3P1
Toledo.....	1004400A, KN713700, KB200570, 10049100A, 10048X00A, KN75066

Main Dimensions and Accessories



RATED CAPACITY	DIMENSIONS										
	A	B	C	D	E	F	G	H	J	K	L
500LB - 3K	4.56	3.50	0.75	4.27	0.49	2.32	4.61	2.99	1.57	1.57	1/2-20 x 0.56 DEEP
5K - 10K	5.94	3.50	1.35	5.41	0.53	2.95	4.54	2.99	1.97	1.97	1-14 x 1.25 DEEP
20K - 30K	8.50	5.00	2.50	7.81	0.69	4.19	6.04	4.49	1.97	1.97	1-1/2-12 x 2.00 DEEP
50K - 100K	11.44	6.50	3.00	10.75	0.76	5.62	7.46	5.79	1.97	1.97	2-12 x 2.62 DEEP

▶ **SPECIFICATIONS** ◀

Rated Output (mV/V)	2.00 or 3.00	Input Impedance	380 +/- 10 ohms
Nonlinearity	+/- 0.05% FS	Output Impedance	350 +/- 5 ohms
Hysteresis	+/- 0.03% FS	Insulation Resistance	5000 Megohms
Repeatability	+/- 0.01% FS	Excitation Voltage	10V AC/DC (20V Max)
Creep (30 minutes)	+/- 0.03% FS	Compensated Temperature Range	-10°C - +40°C
Zero Balance	+/- 1.00% FS	Operating Temperature Range	-20°C - +60°C
Temperature Effect on Zero	+/- 0.0027% of rated output/°C	Safe Overload	150% FS
Temperature Effect on Output	+/- 0.0015% of applied load/°C	Cable Length	50' Standard Cable
Cable Color Code	Input                      Output	Seal Type	Hermetically Sealed, IP67
	Green +Excitation      White +Signal		
	Black -Excitation      Red -Signal		

# CG-TC42 & CG-TC43

**TENSION/COMPRESSION  
CANISTER**

**STAINLESS STEEL**  
Hermetically Sealed

Coti Global Sensors • 5699 Highway 53 Harvest, Alabama 35749 • Toll Free: 1-866-762-COTI(2684) • Fax: 256-852-9903 • www.cotiglobal.com



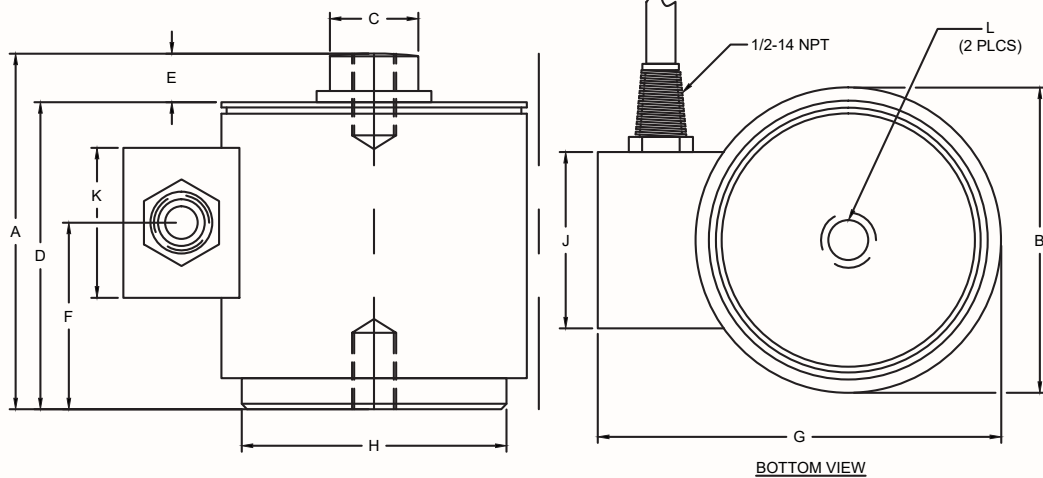
**CG-TC42 & CG-TC43 ORDER INFORMATION DISCOUNT C SUGGESTED LIST PRICE**

5K, 10K	\$1334.03
20K	\$1588.13
50K, 100K	\$2032.80
200K	\$2731.58
250K	\$2731.58

**INTERCHANGEABLE PRODUCTS**

Artech.....	90510 (5K, 10K)
Revere.....	42U
Totalcomp.....	T42
Artech.....	90515
Revere.....	43U
Totalcomp.....	T43

Main Dimensions and Accessories



RATED CAPACITY	DIMENSIONS										
	A	B	C	D	E	F	G	H	J	K	L
5K - 10K	5.94	3.50	1.40	5.44	0.44	3.00	4.54	2.99	1.97	1.97	1-14 x 1.25 DEEP
20K	8.50	5.00	2.21	8.00	0.44	4.25	6.04	4.49	1.97	1.97	1-1/2-12 x 2.00 DEEP
50K	11.44	6.50	2.16	10.50	0.81	5.75	7.57	6.30	2.36	2.36	1-1/2-12 x 2.00 DEEP
100K	11.44	6.50	2.95	10.50	0.81	5.75	7.46	5.79	2.36	2.36	2-12 x 2.25 DEEP
200K - 250K	16.25	8.00	3.54	14.81	1.31	8.00	9.16	7.32	2.36	2.36	2-1/2-12x2.75 DEEP

**SPECIFICATIONS**

Rated Output (mV/V)	2.00 or 3.00	Input Impedance	385 +/- 10 ohms
Nonlinearity	+/- 0.05% FS	Output Impedance	350 +/- 5 ohms
Hysteresis	+/- 0.03% FS	Insulation Resistance	5000 Megohms
Repeatability	+/- 0.01% FS	Excitation Voltage	10V AC/DC (20V Max)
Creep (30 minutes)	+/- 0.03% FS	Compensated Temperature Range	-10°C - +40°C
Zero Balance	+/- 1.00% FS	Operating Temperature Range	-20°C - +60°C
Temperature Effect on Zero	+/- 0.0027% of rated output/°C	Safe Overload	150% FS
Temperature Effect on Output	+/- 0.0015% of applied load/°C	Cable Length	50' Standard Cable
Cable Color Code	Input Green +Excitation Black -Excitation	Output White +Signal Red -Signal	Seal Type Hermetically Sealed, IP67

# CG-62 & CG-63

▶ **TENSION/COMPRESSION CANISTER**

▶ **STAINLESS STEEL**  
Hermetically Sealed

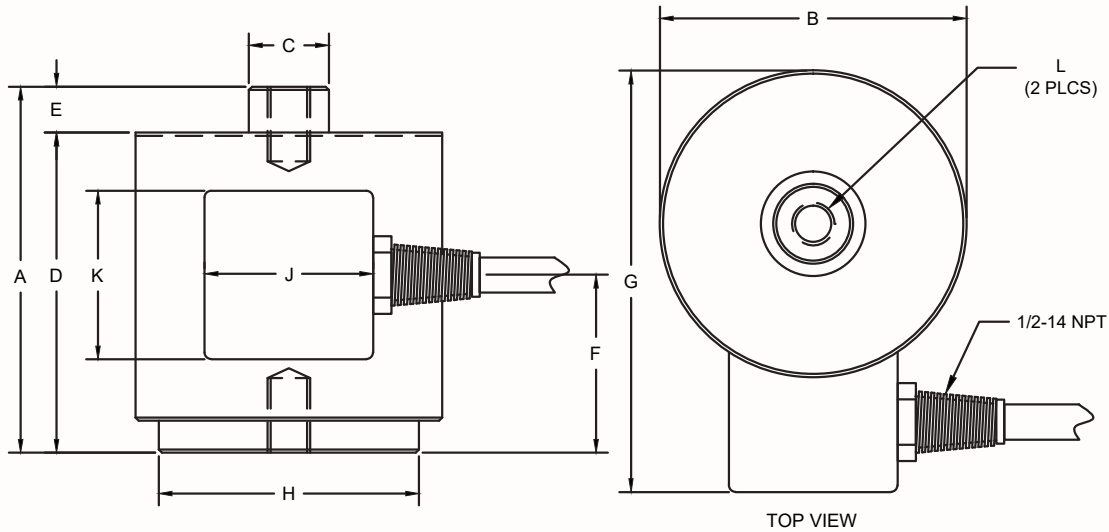
Coti Global Sensors • 5699 Highway 53 Harvest, Alabama 35749 • Toll Free: 1-866-762-COTI(2684) • Fax: 256-852-9903 • www.cotiglobal.com



CG-62 & CG-63	ORDER INFORMATION	DISCOUNT C	SUGGESTED LIST PRICE
200 lb, 300 lb			\$1079.93
500 lb, 750 lb, 1K			\$1175.21
2K, 3K			\$1334.03

INTERCHANGEABLE PRODUCTS	
Artech.....	90510
Revere.....	62HU
Totalcomp.....	T62
Revere.....	63HU
Totalcomp.....	T63

Main Dimensions and Accessories



RATED CAPACITY	DIMENSIONS										
	A	B	C	D	E	F	G	H	J	K	L
200LB - 300LB	3.38	2.75	0.75	2.56	0.61	1.62	3.96	2.44	1.96	1.57	3/8-24UNFx0.38 DEEP
500LB - 1K	4.56	3.50	0.75	4.15	0.45	2.19	4.47	2.99	1.96	1.57	1/2-20UNFx0.50 DEEP
2K - 3K	5.00	4.00	0.75	4.59	0.41	2.40	5.02	3.43	1.96	1.57	1/2-20UNFx0.50 DEEP

## ▶ SPECIFICATIONS ◀

Rated Output (mV/V)	2.00 or 3.00	Input Impedance	380 +/- 10 ohms
Nonlinearity	+/- 0.05% FS	Output Impedance	350 +/- 5 ohms
Hysteresis	+/- 0.03% FS	Insulation Resistance	5000 Megohms
Repeatability	+/- 0.01% FS	Excitation Voltage	10V AC/DC (20V Max)
Creep (30 minutes)	+/- 0.03% FS	Compensated Temperature Range	-10°C - +40°C
Zero Balance	+/- 1.00% FS	Operating Temperature Range	-20°C - +60°C
Temperature Effect on Zero	+/- 0.0027% of rated output/°C	Safe Overload	150% FS
Temperature Effect on Output	+/- 0.0015% of applied load/°C	Cable Length	50' Standard Cable
Cable Color Code	Input Green +Excitation Black -Excitation	Output White +Signal Red -Signal	Seal Type Hermetically Sealed, IP67

# CG-33

► **TENSION/COMPRESSION CANISTER**

► **STAINLESS STEEL**  
Hermetically Sealed

Coti Global Sensors • 5699 Highway 53 Harvest, Alabama 35749 • Toll Free: 1-866-762-COTI(2684) • Fax: 256-852-9903 • www.cotiglobal.com



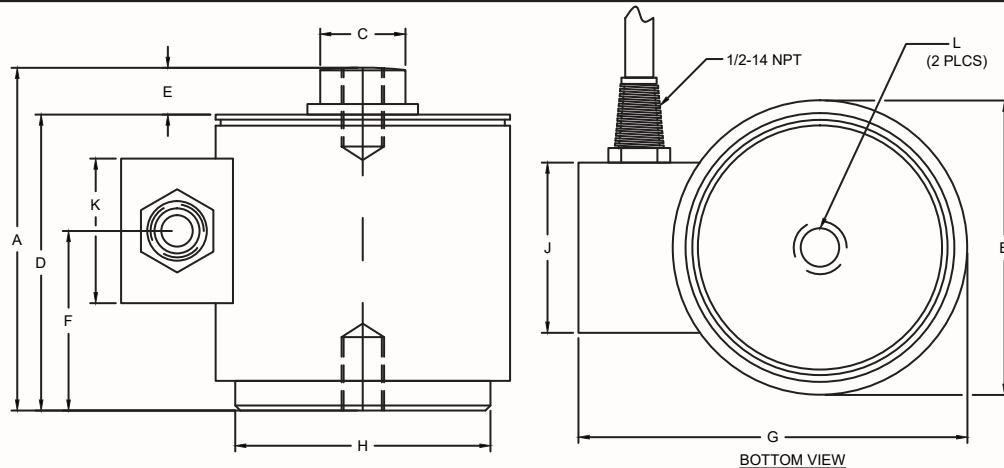
## CG-33 ORDER INFORMATION

	DISCOUNT C	SUGGESTED LIST PRICE
500 lb		\$1397.55
1K		\$1397.55
2.5K		\$1397.55
5K		\$1715.18
10K		\$1715.18
25K		\$2159.85
50K		\$2922.15
100K		\$6987.75

## INTERCHANGEABLE PRODUCTS

Revere.....	USP1
Totalcomp.....	TUSP1

Main Dimensions and Accessories



RATED CAPACITY	DIMENSIONS										
	A	B	C	D	E	F	G	H	J	K	L
500LB-1K	4.44	2.56	0.75	4.19	0.41	2.58	3.69	2.07	1.57	1.57	1/2-20 UNF x 0.625 DEEP
2.5K	3.00	2.50	0.74	2.55	0.45	1.30	3.65	2.05	1.57	1.57	1/2-20 UNF x 0.50 DEEP
5K - 10K	5.75	2.94	1.34	5.25	0.50	2.77	4.08	2.50	1.57	1.57	1-14 UNF x 1.25 DEEP
25K	8.38	4.00	2.14	7.96	0.42	4.16	5.06	3.54	1.97	1.97	1-1/2-12 UNF x 1.75 DEEP
50K	11.44	6.37	2.95	10.58	0.86	5.75	7.50	5.79	1.97	1.97	2-12 UNF x 2.625 DEEP
100K	17.50	8.54	3.86	15.50	2.00	8.02	9.63	7.68	2.36	2.36	3-8 UNF x 3.50 DEEP

## SPECIFICATIONS

Rated Output (mV/V)	3.00	Input Impedance	350 +/- 3.5 ohms
Nonlinearity	+/- 0.03% FS	Output Impedance	350 +/- 3.5 ohms
Hysteresis	+/- 0.02% FS	Insulation Resistance	5000 Megohms
Repeatability	+/- 0.02% FS	Excitation Voltage	10V AC/DC (20V Max)
Creep (30 minutes)	+/- 0.03% FS	Compensated Temperature Range	-10°C - +40°C
Zero Balance	+/- 1.00% FS	Operating Temperature Range	-20°C - +60°C
Temperature Effect on Zero	+/- 0.0027% of rated output/°C	Safe Overload	150% FS
Temperature Effect on Output	+/- 0.0015% of applied load/°C	Cable Length	30' Standard Cable
Cable Color Code	Input	Output	Seal Type
	Green +Excitation	White +Signal	Hermetically Sealed, IP67
	Black -Excitation	Red -Signal	

# **S-BEAMS**





# CGSB

## S-BEAM

## ALLOY STEEL

NTEP 1: 5,000 Class III, Single Cell

NTEP 1:10,000 Class III, Single Cell

Coti Global Sensors • 5699 Highway 53 Harvest, Alabama 35749 • Toll Free: 1-866-762-COTI(2684) • Fax: 256-852-9903 • www.cotiglobal.com



### CGSB ORDER INFORMATION

	DISCOUNT C	SUGGESTED LIST PRICE
*25 lb, *50 lb		\$ 190.58
100 lb, 150 lb, 200 lb		\$ 190.58
250 lb, 300 lb, 500 lb, 750 lb		\$ 190.58
1K, 1.5K, 2K, 2.5K, 3K		\$ 190.58
5K, 10K		\$ 375.38
15K		\$ 525.53
20K		\$ 791.18
*40K		\$1103.03
*Non-NTEP		

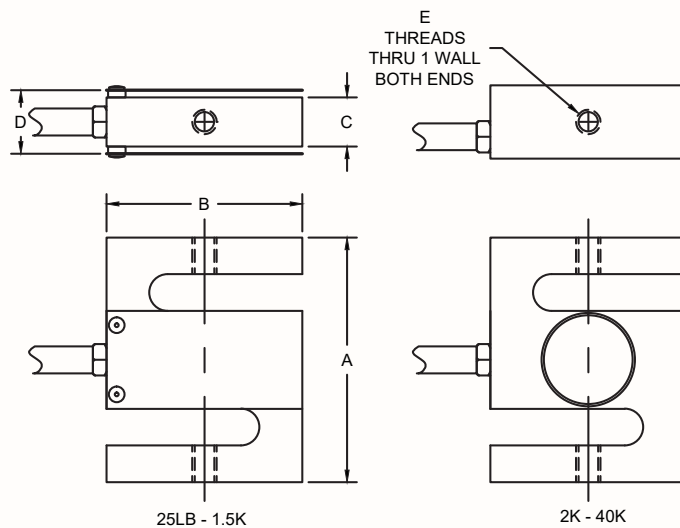
### INTERCHANGEABLE PRODUCTS

Celtron.....	STC
Rice Lake Weighing Systems.....	RL20001
Sensortronics.....	60001

### WEIGH MODULE AVAILABLE

Coti Global Sensors..... ITCM see page 128

### Main Dimensions and Accessories



RATED CAPACITY	DIMENSIONS				
	A	B	C	D (MAX)	E
25LB-50LB	2.50	2.00	0.50	0.75	1/4-28UNF
100LB-200LB	2.50	2.00	0.50	0.75	1/4-28UNF
250LB-300LB	3.00	2.00	0.50	0.75	3/8-24UNF
500LB-1.5K	3.00	2.00	0.75	1.00	1/2-20UNF
2K-3K	3.00	2.00	1.00	-	1/2-20UNF
5K	4.25	3.00	1.00	-	3/4-16UNF
10K	4.75	3.50	1.00	-	3/4-16UNF
15K	5.50	4.00	1.25	-	1-14UNF
20K	7.00	5.00	2.00	-	1-1/4-12UNF
40K	7.50	5.50	2.50	-	1-1/2-12UNF

### SPECIFICATIONS

Rated Output (mV/V)	3.00	Input Impedance	385 +/- 10 ohms
Nonlinearity	+/- 0.03% FS	Output Impedance	350 +/- 3 ohms
Hysteresis	+/- 0.02% FS	Insulation Resistance	5000 Megohms
Repeatability	+/- 0.01% FS	Excitation Voltage	10V AC/DC (20V Max)
Creep (30 minutes)	+/- 0.02% FS	Compensated Temperature Range	-10°C - +40°C
Zero Balance	+/- 1.00% FS	Operating Temperature Range	-20°C - +60°C
Temperature Effect on Zero	+/- 0.0027% of rated output/°C	Safe Overload	150% FS
Temperature Effect on Output	+/- 0.0015% of applied load/°C	Cable Length	20' Standard Cable
Cable Color Code	Input	Output	Seal Type
	Green +Excitation	White +Signal	Environmentally-Sealed, IP67
	Black -Excitation	Red -Signal	

# CGSB-SS

► S-BEAM

► STAINLESS STEEL

NTEP 1: 5,000 Class III, Single Cell

NTEP 1:10,000 Class III, Single Cell

Coti Global Sensors • 5699 Highway 53 Harvest, Alabama 35749 • Toll Free: 1-866-762-COTI(2684) • Fax: 256-852-9903 • www.cotiglobal.com



### CGSB SS ORDER INFORMATION

	DISCOUNT C	SUGGESTED LIST PRICE
100 lb, 200 lb, 250 lb, 300 lb, 500 lb		\$ 340.73
750 lb, 1000 lb, 1.5 K, 2 K, 2.5K, 3K,		\$ 340.73
5 K		\$ 560.18
10 K		\$ 560.18
*15 K		\$ 693.00
*20 K		\$1039.50
* Non-NTEP		

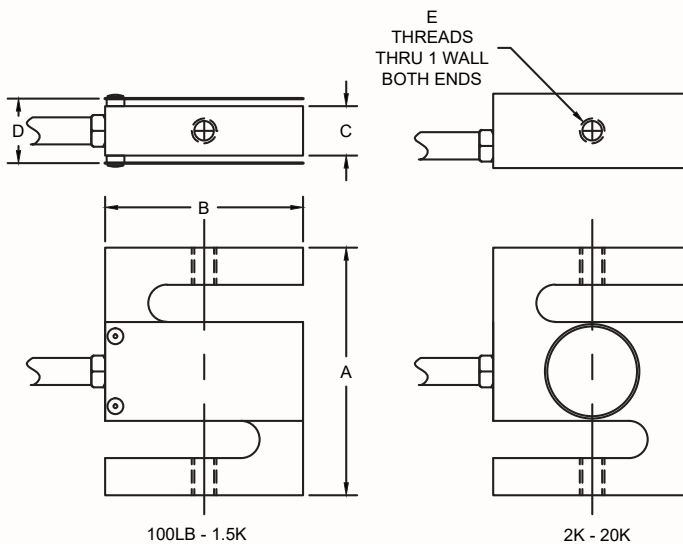
### INTERCHANGEABLE PRODUCTS

Celtron.....	STC SS
Rice Lake.....	RL2000SS 15K-20K
Sensortronics.....	60050

### WEIGH MODULE AVAILABLE

Coti Global Sensors..... ITCM-SS see page 129

Main Dimensions and Accessories



RATED CAPACITY	DIMENSIONS				
	A	B	C	D (MAX)	E
100LB-200LB	2.50	2.00	0.50	0.75	1/4-28UNF
250LB-300LB	3.00	2.00	0.50	0.75	3/8-24UNF
500LB-1.5K	3.00	2.00	0.75	1.00	1/2-20UNF
2K-3K	3.00	2.00	1.00	-	1/2-20UNF
5K	4.25	3.00	1.00	-	3/4-16UNF
10K	4.75	3.50	1.00	-	3/4-16UNF
15K	5.50	4.00	1.25	-	1-14UNF
20K	7.00	5.00	2.00	-	1-1/4-12UNF

## SPECIFICATIONS

Rated Output (mV/V)	3.00	Input Impedance	385 +/- 10 ohms
Nonlinearity	+/- 0.03% FS	Output Impedance	350 +/- 3 ohms
Hysteresis	+/- 0.02% FS	Insulation Resistance	5000 Megohms
Repeatability	+/- 0.01% FS	Excitation Voltage	10V AC/DC (20V Max)
Creep (30 minutes)	+/- 0.02% FS	Compensated Temperature Range	-10°C - +40°C
Zero Balance	+/- 1.00% FS	Operating Temperature Range	-20°C - +60°C
Temperature Effect on Zero	+/- 0.0027% of rated output/°C	Safe Overload	150% FS
Temperature Effect on Output	+/- 0.0015% of applied load/°C	Cable Length	20' Standard Cable
Cable Color Code	Input	Output	Seal Type
	Green +Excitation	White +Signal	Environmentally-Sealed, IP67
	Black -Excitation	Red -Signal	

# CGSB-SSW

▶ S-BEAM

▶ STAINLESS STEEL

Welded Seal

Coti Global Sensors • 5699 Highway 53 Harvest, Alabama 35749 • Toll Free: 1-866-762-COTI(2684) • Fax: 256-852-9903 • www.cotiglobal.com



### CGSB SSW ORDER INFORMATION

	DISCOUNT C	SUGGESTED LIST PRICE
750lb, 1K, 1.5K, 2K, 2.5K, 3K		\$ 606.38
5K		\$ 808.50
10K		\$ 808.50
15K		\$ 1039.50
20K		\$ 1264.73

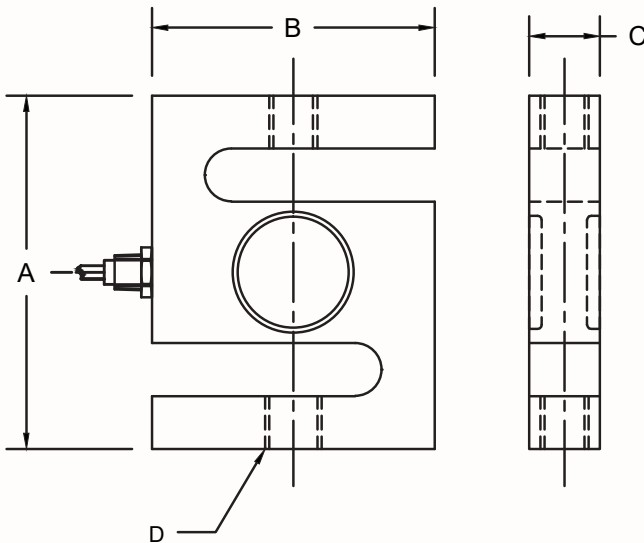
### INTERCHANGEABLE PRODUCTS

Celtron.....	STC HSS
Rice Lake Weighing Systems.....	RL20001 HE
Sensortronics.....	60063

### WEIGH MODULE AVAILABLE

Coti Global Sensors..... ITCM-SSW see page 130

Main Dimensions and Accessories



RATED CAPACITY	DIMENSIONS			
	A	B	C	D
750LB-3K	3.00	2.00	1.00	1/2-20UNF
5K	4.25	3.00	1.00	3/4-16UNF
10K	4.75	3.50	1.00	3/4-16UNF
15K	5.50	4.00	1.25	1-14UNF
20K	7.00	5.00	2.00	1-1/4-12UNF

### SPECIFICATIONS

Rated Output (mV/V)	2.00	Input Impedance	385 +/- 10 ohms
Nonlinearity	+/- 0.03% FS	Output Impedance	350 +/- 3 ohms
Hysteresis	+/- 0.02% FS	Insulation Resistance	5000 Megohms
Repeatability	+/- 0.01% FS	Excitation Voltage	10V AC/DC (20V Max)
Creep (30 minutes)	+/- 0.02% FS	Compensated Temperature Range	-10°C - +40°C
Zero Balance	+/- 1.00% FS	Operating Temperature Range	-20°C - +60°C
Temperature Effect on Zero	+/- 0.0027% of rated output/°C	Safe Overload	150% FS
Temperature Effect on Output	+/- 0.0015% of applied load/°C	Cable Length	20' Standard Cable
Cable Color Code	Input	Output	Seal Type
	Green +Excitation	White +Signal	Welded-Seal, IP67
	Black -Excitation	Red -Signal	

# CGSB-1

► S-BEAM

► ALLOY STEEL

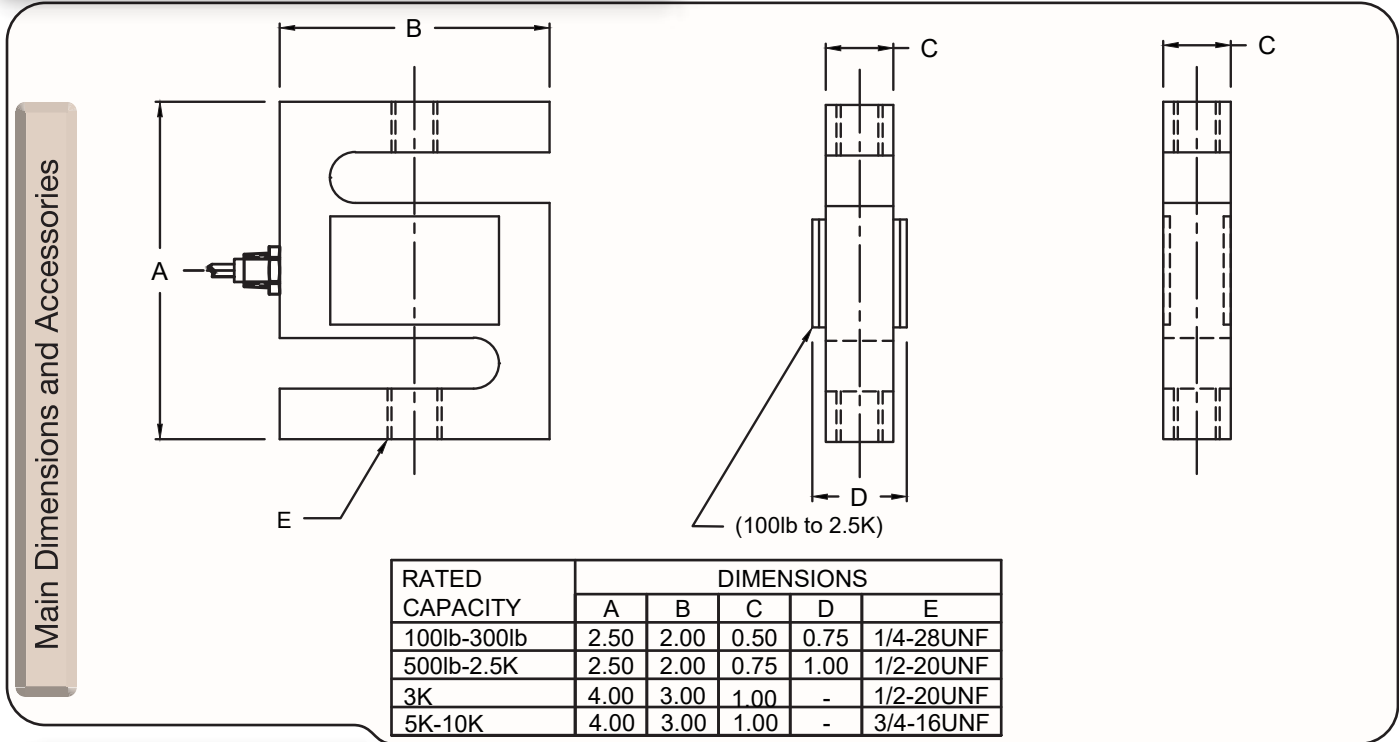
NTEP 1: 5,000 Class III, Single Cell  
NTEP 1:10,000 Class III, Single Cell

Coti Global Sensors • 5699 Highway 53 Harvest, Alabama 35749 • Toll Free: 1-866-762-COTI(2684) • Fax: 256-852-9903 • www.cotiglobal.com



CGSB ORDER INFORMATION	DISCOUNT C	SUGGESTED LIST PRICE
100 lb		\$ 190.58
200 lb		\$ 190.58
250 lb		\$ 190.58
300 lb		\$ 190.58
500 lb		\$ 190.58
750 lb		\$ 190.58
1K		\$ 190.58
1.5K		\$ 190.58
2K		\$ 190.58
2.5K		\$ 190.58
3K		\$ 317.63
5K		\$ 375.38
10K		\$ 375.38

INTERCHANGEABLE PRODUCTS	
Artech.....	20210
Revere Transducers.....	363
Rice Lake.....	RL20000



## ► SPECIFICATIONS ◀

Rated Output (mV/V)	3.00	Input Impedance	385 +/- 10 ohms
Nonlinearity	+/- 0.03% FS	Output Impedance	350 +/- 3 ohms
Hysteresis	+/- 0.02% FS	Insulation Resistance	5000 Megohms
Repeatability	+/- 0.01% FS	Excitation Voltage	10V AC/DC (20V Max)
Creep (30 minutes)	+/- 0.02% FS	Compensated Temperature Range	-10°C - +40°C
Zero Balance	+/- 1.00% FS	Operating Temperature Range	-20°C - +60°C
Temperature Effect on Zero	+/- 0.0027% of rated output/°C	Safe Overload	150% FS
Temperature Effect on Output	+/- 0.0015% of applied load/°C	Cable Length	20' Standard Cable
Cable Color Code	Input	Output	Seal Type
	Green +Excitation	White +Signal	Environmentally-Sealed, IP67
	Black -Excitation	Red -Signal	

# CGSB-SS-1

▶ **S-BEAM**

▶ **STAINLESS STEEL**

NTEP 1: 5,000 Class III, Single Cell

NTEP 1:10,000 Class III, Single Cell

Coti Global Sensors • 5699 Highway 53 Harvest, Alabama 35749 • Toll Free: 1-866-762-COTI(2684) • Fax: 256-852-9903 • www.cotiglobal.com



## CGSB ORDER INFORMATION

DISCOUNT C

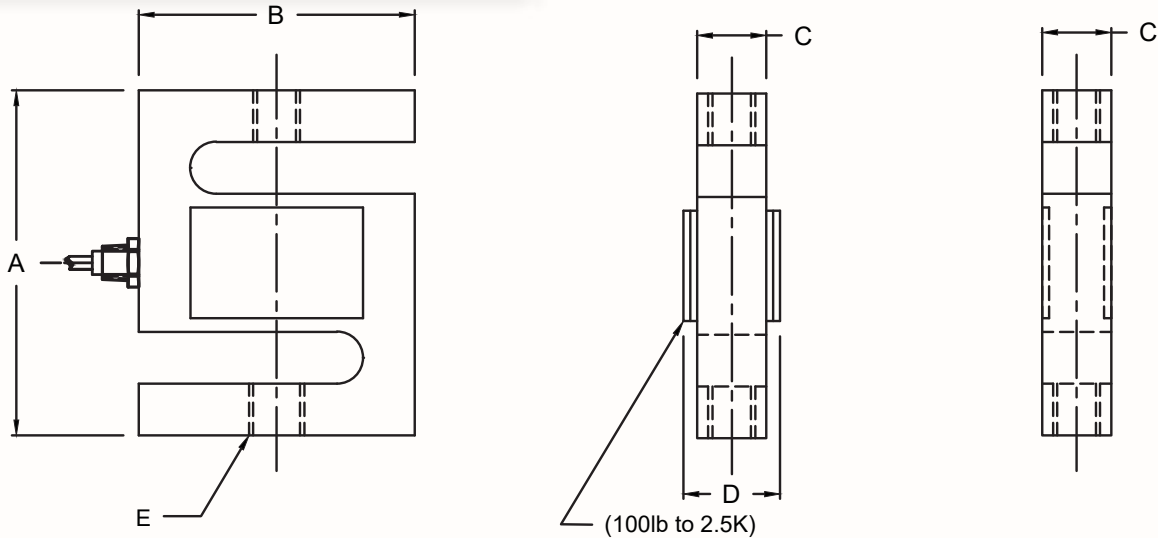
SUGGESTED LIST PRICE

100 lb		\$ 340.73
200 lb		\$ 340.73
250 lb		\$ 340.73
300 lb		\$ 340.73
500 lb		\$ 340.73
750 lb		\$ 340.73
1K		\$ 340.73
1.5K		\$ 340.73
2K		\$ 340.73
2.5K		\$ 340.73
3K		\$ 404.25
5K		\$ 502.43
10K		\$ 502.43

## INTERCHANGEABLE PRODUCTS

Artech.....	20210SS
Revere Transducers.....	9363
Rice Lake.....	RL20000SS

Main Dimensions and Accessories



RATED CAPACITY	DIMENSIONS				
	A	B	C	D	E
100lb-300lb	2.50	2.00	0.50	0.75	1/4-28UNF
500lb-2.5K	2.50	2.00	0.75	1.00	1/2-20UNF
3K	4.00	3.00	1.00	-	1/2-20UNF
5K-10K	4.00	3.00	1.00	-	3/4-16UNF

## SPECIFICATIONS

Rated Output (mV/V)	3.00	Input Impedance	385 +/- 10 ohms
Nonlinearity	+/- 0.03% FS	Output Impedance	350 +/- 3 ohms
Hysteresis	+/- 0.02% FS	Insulation Resistance	5000 Megohms
Repeatability	+/- 0.01% FS	Excitation Voltage	10V AC/DC (20V Max)
Creep (30 minutes)	+/- 0.02% FS	Compensated Temperature Range	-10°C - +40°C
Zero Balance	+/- 1.00% FS	Operating Temperature Range	-20°C - +60°C
Temperature Effect on Zero	+/- 0.0027% of rated output/°C	Safe Overload	150% FS
Temperature Effect on Output	+/- 0.0015% of applied load/°C	Cable Length	20' Standard Cable
Cable Color Code	Input Green +Excitation Black -Excitation	Output White +Signal Red -Signal	Seal Type Environmentally-Sealed, IP67

# CGSB-MT

▶ S-BEAM

▶ ALLOY STEEL

OIML C3 3000 divisions,

NTEP 1: 5,000 Class III, Single Cell

NTEP 1:10,000 Class III, Single Cell

Coti Global Sensors • 5699 Highway 53 Harvest, Alabama 35749 • Toll Free: 1-866-762-COTI(2684) • Fax: 256-852-9903 • www.cotiglobal.com



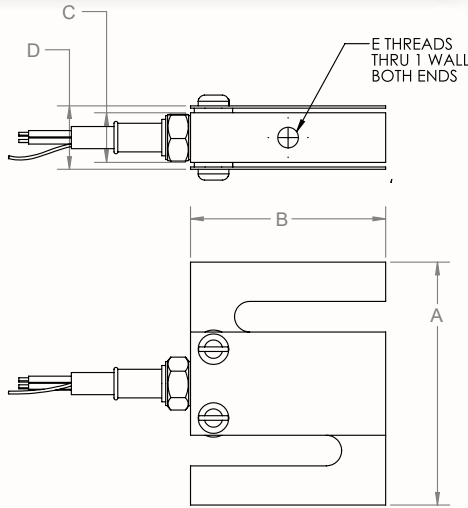
## CGSB ORDER INFORMATION

DISCOUNT C

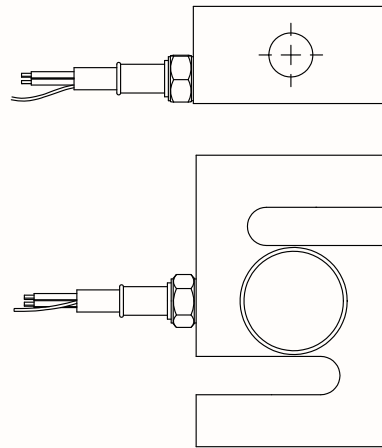
SUGGESTED LIST PRICE

50 KG		\$ 190.58
100 KG		\$ 190.58
250 KG		\$ 190.58
500 KG		\$ 190.58
1000 KG		\$ 190.58
2500 KG		\$ 375.38
5000 KG		\$ 375.38
7500 KG		\$ 525.53

Main Dimensions and Accessories



100kg-500kg



1000kg-7500kg

RATED CAP(KG)	DIMENSIONS				
	A	B	C	D (MAX)	E-THREADS
50KG - 100KG	2.5	2	0.50	0.75	M8-1
250KG - 500KG	3.0	2	0.75	1.00	M12-1.75
1000KG	3.0	2	1.00	-	M20-1.5
2500KG - 5000KG	4.25	3	1.00	-	M20-1.5
7500KG	5.5	4	1.25	-	M24-2.0

## SPECIFICATIONS

Rated Output (mV/V)	3.00	Input Impedance	385 +/- 10 ohms
Nonlinearity	+/- 0.03% FS	Output Impedance	350 +/- 3 ohms
Hysteresis	+/- 0.02% FS	Insulation Resistance	5000 Megohms
Repeatability	+/- 0.01% FS	Excitation Voltage	10V AC/DC (20V Max)
Creep (30 minutes)	+/- 0.02% FS	Compensated Temperature Range	-10°C - +40°C
Zero Balance	+/- 1.00% FS	Operating Temperature Range	-20°C - +60°C
Temperature Effect on Zero	+/- 0.0027% of rated output/°C	Safe Overload	150% FS
Temperature Effect on Output	+/- 0.0015% of applied load/°C	Cable Length	20' Standard Cable
Cable Color Code	Input Green +Excitation Black -Excitation	Output White +Signal Red -Signal	Seal Type Environmentally-Sealed, IP67



# CGSB-SS-MT

▶ **S-BEAM**

▶ **STAINLESS STEEL**

OIML C3 3000 divisions,

NTEP 1: 5,000 Class III, Single Cell

NTEP 1:10,000 Class III, Single Cell

Coti Global Sensors • 5699 Highway 53 Harvest, Alabama 35749 • Toll Free: 1-866-762-COTI(2684) • Fax: 256-852-9903 • www.cotiglobal.com



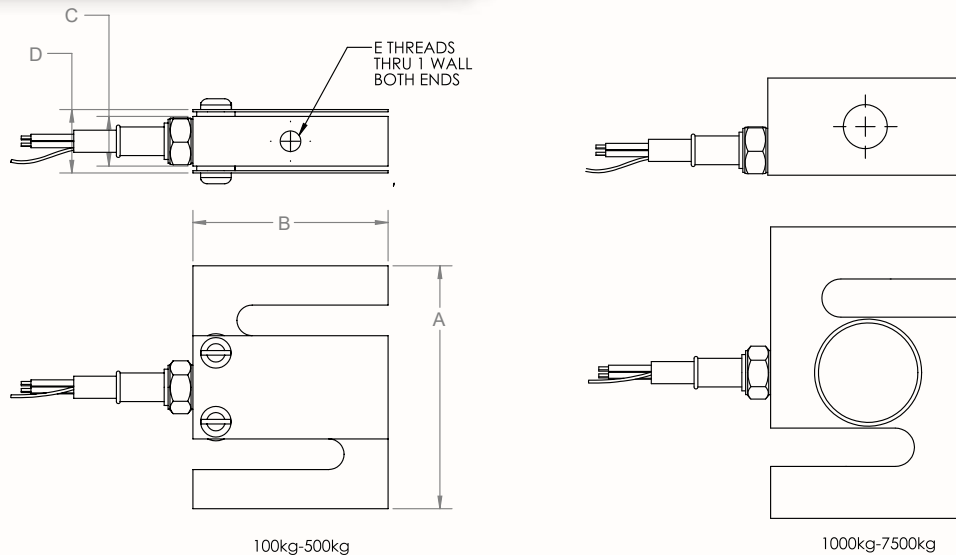
## CGSB ORDER INFORMATION

DISCOUNT C

SUGGESTED LIST PRICE

50 KG		\$ 340.73
100 KG		\$ 340.73
250 KG		\$ 340.73
500 KG		\$ 340.73
1000 KG		\$ 340.73
2500 KG		\$ 560.18
5000 KG		\$ 560.18
* 7500 KG		\$ 693.00
* Non-NTEP		

Main Dimensions and Accessories

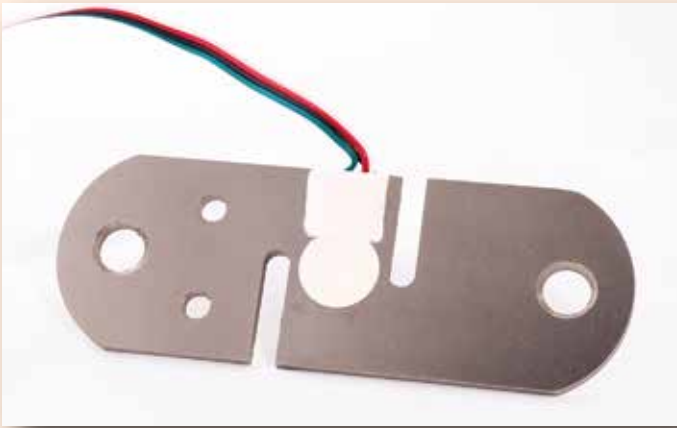


RATED CAP (KG)	DIMENSIONS				
	A	B	C	D (MAX)	E-THREADS
50KG - 100KG	2.5	2	0.50	0.75	M8-1
250KG - 500KG	3.0	2	0.75	1.00	M12-1.75
1000KG	3.0	2	1.00	-	M20-1.5
2500KG - 5000KG	4.25	3	1.00	-	M20-1.5
7500KG	5.5	4	1.25	-	M24-2.0

## ← SPECIFICATIONS →

Rated Output (mV/V)	3.00	Input Impedance	385 +/- 10 ohms
Nonlinearity	+/- 0.03% FS	Output Impedance	350 +/- 3 ohms
Hysteresis	+/- 0.02% FS	Insulation Resistance	5000 Megohms
Repeatability	+/- 0.01% FS	Excitation Voltage	10V AC/DC (20V Max)
Creep (30 minutes)	+/- 0.02% FS	Compensated Temperature Range	-10°C - +40°C
Zero Balance	+/- 1.00% FS	Operating Temperature Range	-20°C - +60°C
Temperature Effect on Zero	+/- 0.0027% of rated output/°C	Safe Overload	150% FS
Temperature Effect on Output	+/- 0.0015% of applied load/°C	Cable Length	20' Standard Cable
Cable Color Code	Input	Output	Seal Type
	Green +Excitation	White +Signal	Environmentally-Sealed, IP67
	Black -Excitation	Red -Signal	

Coti Global Sensors • 5699 Highway 53 Harvest, Alabama 35749 • Toll Free: 1-866-762-COTI(2684) • Fax: 256-852-9903 • www.cotiglobal.com



**CGSS ORDER INFORMATION**

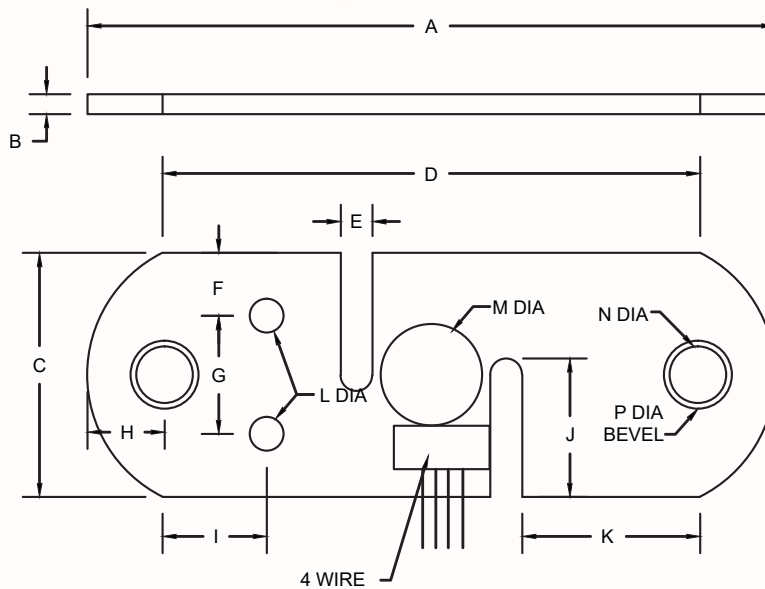
DISCOUNT C

SUGGESTED LIST PRICE

300 kg

\$ 340.73

Main Dimensions and Accessories



RATED CAPACITY	DIMENSIONS														
	A	B	C	D	E	F	G	H	I	J	K	L	M	N	P
300KG	5.08	0.15	1.80	3.97	0.24	0.46	0.87	0.57	0.77	1.02	1.32	0.25	0.75	0.42	0.50

► SPECIFICATIONS ◀

Rated Output (mV/V)	1.00	Input Impedance	1080 +/- 10 ohms
Nonlinearity	+/- 0.05% FS	Output Impedance	1000 +/- 5 ohms
Hysteresis	+/- 0.05% FS	Insulation Resistance	5000 Megohms
Repeatability	+/- 0.02% FS	Excitation Voltage	10V AC/DC (20V Max)
Creep (30 minutes)	+/- 0.03% FS	Compensated Temperature Range	-10°C - +40°C
Zero Balance	+/- 1.00% FS	Operating Temperature Range	-20°C - +60°C
Temperature Effect on Zero	+/- 0.0027% of rated output/°C	Safe Overload	150% FS
Temperature Effect on Output	+/- 0.0015% of applied load/°C	Cable Length	1' Standard Cable
Cable Color Code	Input	Output	Seal Type
	Green +Excitation	White +Signal	Environmentally-Sealed, IP67
	Black -Excitation	Red -Signal	



# **SINGLE-ENDED BEAMS**



# CG-SB250

▶ SINGLE-ENDED BEAM

▶ STAINLESS STEEL

NTEP 1:5000 Class III Multiple Cell

Coti Global Sensors • 5699 Highway 53 Harvest, Alabama 35749 • Toll Free: 1-866-762-COTI(2684) • Fax: 256-852-9903 • www.cotiglobal.com



### CG-SB250 ORDER INFORMATION

	DISCOUNT C	SUGGESTED LIST PRICE
2.5K		\$ 577.50
5K		\$ 577.50
10K		\$ 693.00
20K		\$ 921.11

\* Insert and Rocker Washer included with new purchase

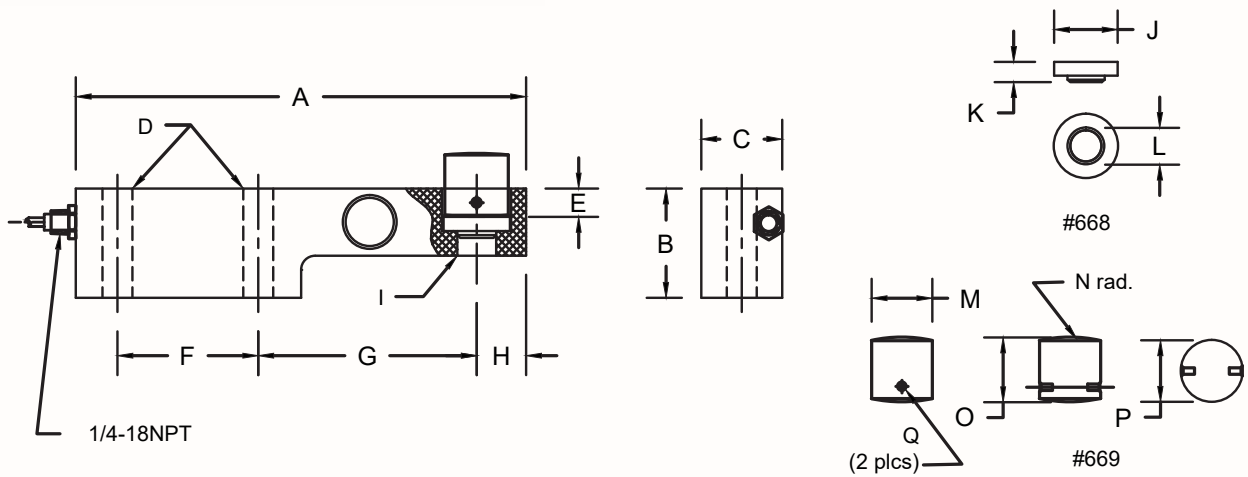
### ACCESSORIES

	DISCOUNT G	SUGGESTED LIST PRICE
668 Insert		\$ 13.86
669 Rocker Washer		\$ 28.88
670 Spring Pin		\$ 4.04

### INTERCHANGEABLE PRODUCTS

Cardinal.....	SB2500S
Cardinal.....	SB5000S
Cardinal.....	SB10000S
Cardinal.....	SB20000S
Rice Lake Weighing Systems.....	RLSB250

Main Dimensions and Accessories



RATED CAPACITY	DIMENSIONS																
	A	B	C	D	E	F	G	H	I	J	K	L	M	N	O	P	Q
2.5K	8.00	1.94	1.44	0.53	0.50	2.50	3.88	0.88	3/4-16UNF	-	-	-	-	-	-	-	-
5K	8.00	1.94	1.44	0.53	0.50	2.50	3.88	0.88	3/4-16UNF	-	-	-	-	-	-	-	-
10K	9.00	2.46	2.00	0.78	0.50	2.00	5.25	1.00	0.68 DIA	-	-	-	-	-	-	-	-
20K	9.00	2.46	2.00	0.78	0.50	2.00	5.25	1.00	0.68 DIA	-	-	-	-	-	-	-	-
668 insert	-	-	-	-	-	-	-	-	-	1.175	.375	0.68	-	-	-	-	-
669 rocker pin	-	-	-	-	-	-	-	-	-	-	-	-	1.125	6.00	1.125	1.125	.125x.25

### SPECIFICATIONS

Rated Output (mV/V)	2.00	Input Impedance	385 +/- 10 ohms
Nonlinearity	+/- 0.03% FS	Output Impedance	350 +/- 3 ohms
Hysteresis	+/- 0.02% FS	Insulation Resistance	5000 Megohms
Repeatability	+/- 0.01% FS	Excitation Voltage	10V AC/DC (20V Max)
Creep (30 minutes)	+/- 0.02% FS	Compensated Temperature Range	-10°C - +40°C
Zero Balance	+/- 1.00% FS	Operating Temperature Range	-20°C - +60°C
Temperature Effect on Zero	+/- 0.0027% of rated output/°C	Safe Overload	150% FS
Temperature Effect on Output	+/- 0.0015% of applied load/°C	Cable Length	30' Standard Cable
Cable Color Code	Input Green +Excitation Black -Excitation	Output White +Signal Red -Signal	Seal Type Environmentally-Sealed, IP67

# CG-BBS

▶ SINGLE-ENDED BEAM

▶ STAINLESS STEEL

Coti Global Sensors • 5699 Highway 53 Harvest, Alabama 35749 • Toll Free: 1-866-762-COTI(2684) • Fax: 256-852-9903 • www.cotiglobal.com



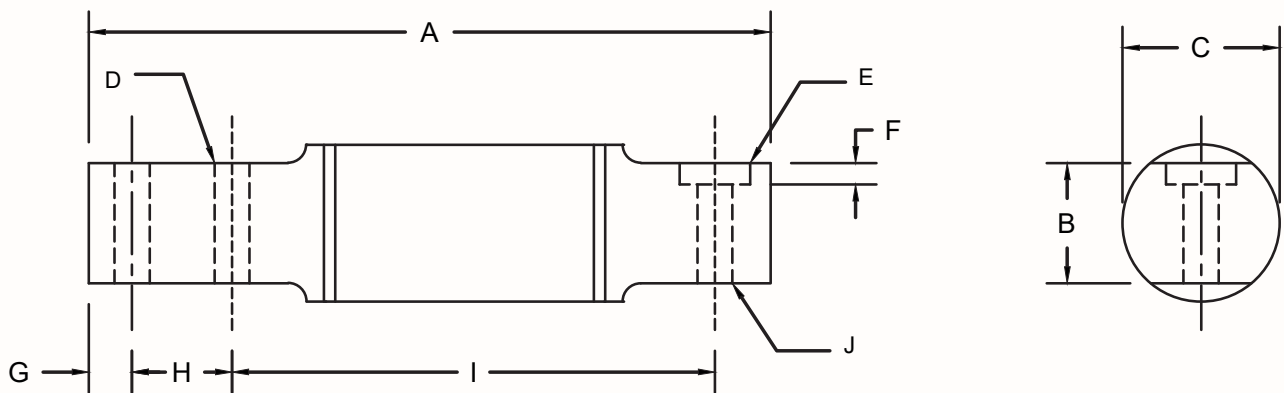
## CG-BBS ORDER INFORMATION

	DISCOUNT C	SUGGESTED LIST PRICE
50 lb, 100lb, 200 lb, 250 lb, 500 lb, 1K SE		\$ 508.20
1KLE		\$ 768.08
2.5K		\$ 768.08
5K		\$ 1270.50
7.5K		\$ 1270.50

## INTERCHANGEABLE PRODUCTS

Artech.....	40310
BLH .....	LBG1
Fairbanks .....	3-481-1, 3-486-1
HBM.....	BBS
Rice Lake Weighing Systems.....	RL40BBS
Sensortronics.....	60007

Main Dimensions and Accessories



RATED CAPACITY	DIMENSIONS									
	A	B	C	D	E	F	G	H	I	J
50LB-100LB	6.00	1.06	1.26	0.31	-	-	0.38	0.88	4.25	0.31
200LB-1K	6.62	1.06	1.26	0.51	-	-	0.50	1.12	4.25	0.51
1KLE-2.5K	11.38	1.25	2.00	0.53	1.19	0.12	0.50	1.75	8.25	0.62
5K-7.5K	12.75	2.75	3.50	0.78	1.38	0.19	0.75	2.00	8.50	0.76

## SPECIFICATIONS

Rated Output (mV/V)	2.00	Input Impedance	50 lb - 1 KSE	800 +/- 10 ohms
Nonlinearity	+/- 0.03% FS	Output Impedance	50 lb - 1 KSE	750 +/- 5 ohms
Hysteresis	+/- 0.03% FS	Input Impedance	1 Kle - 7.5 K	380 +/- 10 ohms
Repeatability	+/- 0.01% FS	Output Impedance	1 Kle - 7.5 K	350 +/- 3 ohms
Creep (30 minutes)	+/- 0.02% FS	Insulation Resistance		5000 Megohms
Zero Balance	+/- 1.00% FS	Excitation Voltage		10V AC/DC (20V Max)
Temperature Effect on Zero	+/- 0.0027% of rated output/°C	Compensated Temperature Range		-10°C - +40°C
Temperature Effect on Output	+/- 0.0015% of applied load/°C	Operating Temperature Range		-20°C - +60°C
Cable Color Code	Input	Output	Safe Overload	150% FS
	Green +Excitation	White +Signal	Cable Length	30' Standard Cable
	Black -Excitation	Red -Signal	Seal Type	Environmentally-Sealed, IP67

# CG-Z6

▶ SINGLE-ENDED BEAM

▶ STAINLESS STEEL

Welded Seal

Coti Global Sensors • 5699 Highway 53 Harvest, Alabama 35749 • Toll Free: 1-866-762-COTI(2684) • Fax: 256-852-9903 • www.cotiglobal.com

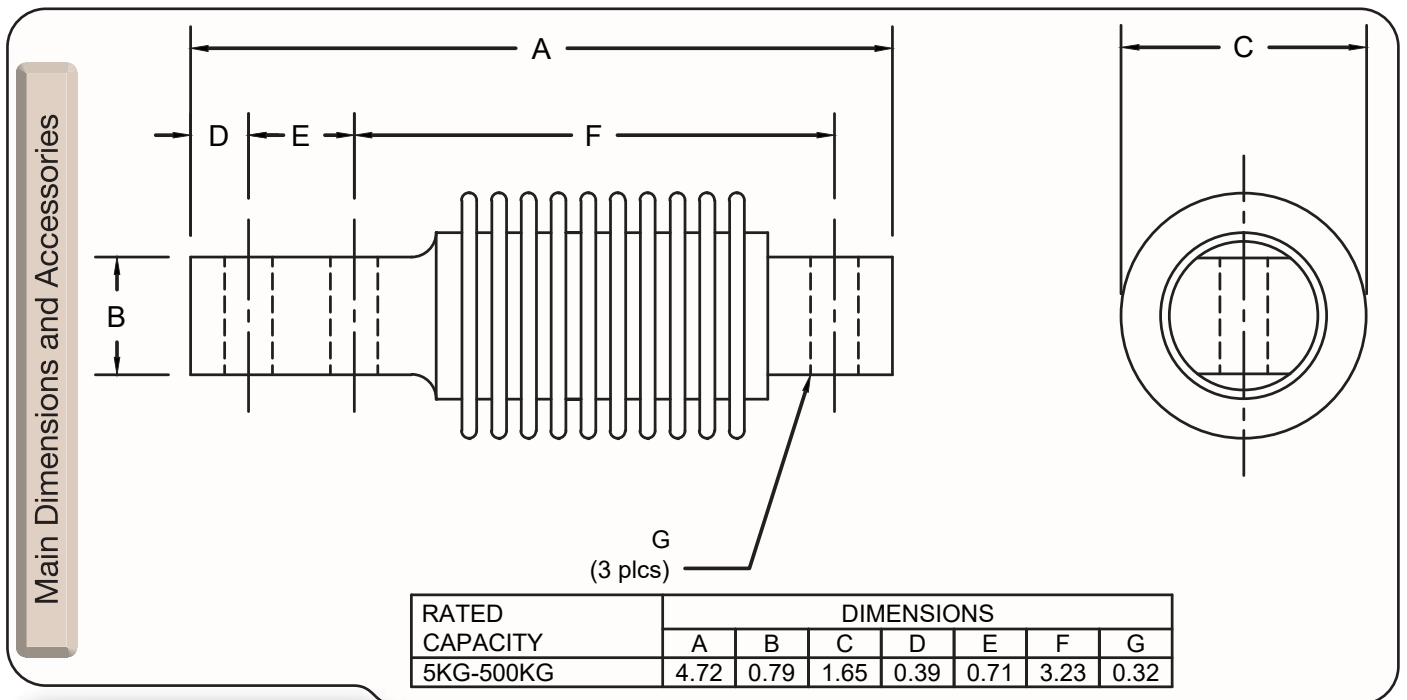


CG-Z6 ORDER INFORMATION	DISCOUNT C	SUGGESTED LIST PRICE
5 KG		\$519.75
10 KG		\$519.75
20 KG		\$519.75
50 KG		\$519.75
100 KG		\$519.75
200 KG		\$519.75
250 KG		\$519.75
500 KG		\$519.75

INTERCHANGEABLE PRODUCTS	
Anyload.....	563RS
Cardinal.....	CB6
Celtron.....	HBB
Flintec.....	SB8
HBM.....	Z6
Revere Transducers.....	SHB
Rice Lake Weighing Systems.....	RLHBB
Tedea Huntleigh.....	355
Toledo...(not 500kg).....	MTB
Totalcomp.....	TZ6

\* Not interchangeable with Cardinal CB6 with a "T" suffix. Mounting holes are different.

**WEIGH MODULES**  
Coti Global Sensors CG-Z6M see page 152



## ▶ SPECIFICATIONS ◀

Rated Output (mV/V)	2.00	Input Impedance	380 +/- 10 ohms
Nonlinearity	+/- 0.03% FS	Output Impedance	350 +/- 3 ohms
Hysteresis	+/- 0.03% FS	Insulation Resistance	5000 Megohms
Repeatability	+/- 0.01% FS	Excitation Voltage	10V AC/DC (20V Max)
Creep (30 minutes)	+/- 0.02% FS	Compensated Temperature Range	-10°C - +40°C
Zero Balance	+/- 1.00% FS	Operating Temperature Range	-20°C - +60°C
Temperature Effect on Zero	+/- 0.0027% of rated output/°C	Safe Overload	150% FS
Temperature Effect on Output	+/- 0.0015% of applied load/°C	Cable Length	20' 6 Conductor Cable
Cable Color Code		Seal Type	Welded-Seal, IP67
Input	Output	Sense Leads	
Green +Excitation	White +Signal	Blue +Sense	
Black -Excitation	Red -Signal	Brown -Sense	

# CG-LC22

▶ SINGLE-ENDED BEAM

▶ ALLOY STEEL

Welded Seal

NTEP 1:3000 Class III Single Cell

Coti Global Sensors • 5699 Highway 53 Harvest, Alabama 35749 • Toll Free: 1-866-762-COTI(2684) • Fax: 256-852-9903 • www.cotiglobal.com



### CG-LC22 ORDER INFORMATION

DISCOUNT C

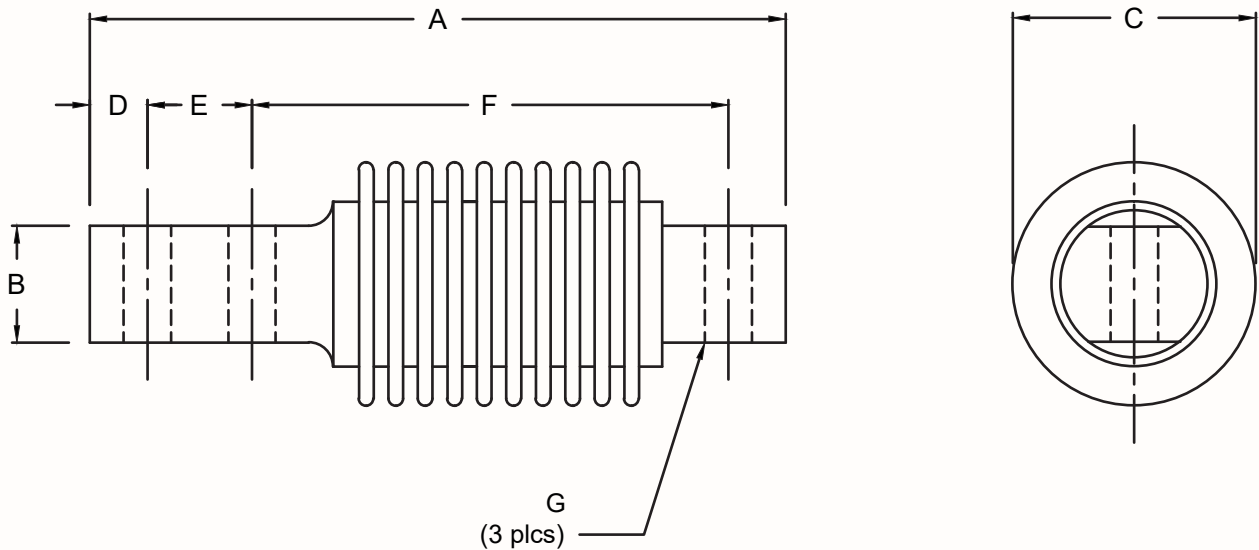
SUGGESTED LIST PRICE

15 KG		\$381.15
30 KG		\$381.15
50 KG		\$381.15
75 KG		\$381.15
150 KG		\$381.15
250 KG		\$381.15
300 KG		\$381.15

### INTERCHANGEABLE PRODUCTS

First Weigh ..... LC22

Main Dimensions and Accessories



RATED CAPACITY	DIMENSIONS						
	A	B	C	D	E	F	G
15KG-300KG	5.37	0.90	2.00	0.60	0.98	3.25	0.51

### SPECIFICATIONS

Rated Output (mV/V)	2.00	Input Impedance	385 +/- 10 ohms
Nonlinearity	+/- 0.03% FS	Output Impedance	350 +/- 3 ohms
Hysteresis	+/- 0.02% FS	Insulation Resistance	5000 Megohms
Repeatability	+/- 0.01% FS	Excitation Voltage	10V AC/DC (20V Max)
Creep (30 minutes)	+/- 0.02% FS	Compensated Temperature Range	-10°C - +40°C
Zero Balance	+/- 1.00% FS	Operating Temperature Range	-20°C - +60°C
Temperature Effect on Zero	+/- 0.0027% of rated output/°C	Safe Overload	150% FS
Temperature Effect on Output	+/- 0.0015% of applied load/°C	Cable Length	20' Standard Cable
Cable Color Code	Input	Output	Seal Type
	Green +Excitation	White +Signal	Welded-Seal, IP67
	Black -Excitation	Red -Signal	

# CG-23

▶ **THREADED HOLE  
SINGLE-ENDED SHEAR BEAM**

▶ **ALLOY STEEL**  
NTEP 1:5000 Class III Multiple Cell, IP67

Coti Global Sensors • 5699 Highway 53 Harvest, Alabama 35749 • Toll Free: 1-866-762-COTI(2684) • Fax: 256-852-9903 • www.cotiglobal.com



### CG-23 ORDER INFORMATION

	DISCOUNT C	SUGGESTED LIST PRICE
CG-23 *100lb, 250lb, 500lb, 750lb, 1K, 1.5K.....		\$ 190.58
CG-23 2K, 2.5K, 4K, 5K SE.....		\$ 190.58
CG-23 5K LE, 10K.....		\$ 317.63
CG-23 15K, 20K.....		\$ 629.48

*SE refers to small envelope • LE refers to large envelope  
\*Non-NTEP*

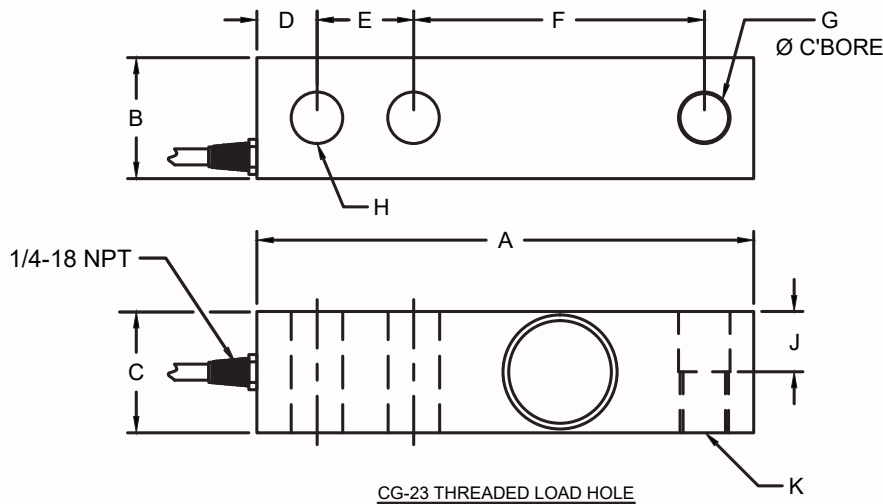
### INTERCHANGEABLE PRODUCTS

Artech.....	30310
Celtron.....	SQB
HBM..(C dimension on 100-500 lb is 1").....	A35
Revere.....	5123
Rice Lake Weighing Systems.....	RL30000
Sensortronics..(C dimension on 100-500 lb is 1").....	65023
Tedea.....	3411
Totalcomp.....	TSB
Transcell.....	SBS
Zemic.....	H8C

### WEIGH MODULE AVAILABLE

Coti Global Sensors	CG23M-MS see page 135
Coti Global Sensors	CG59M see page 138
Coti Global Sensors	CG82M-MS see page 141

Main Dimensions and Accessories



CG-23 THREADED LOAD HOLE

RATED CAPACITY	DIMENSIONS									
	A	B	C	D	E	F	G	H	J	K
100LB - 750LB	5.12	1.25	1.25	0.62	1.00	3.00	0.53	0.53	0.62	1/2-20 UNF
1K - 5KSE	5.12	1.25	1.25	0.62	1.00	3.00	0.53	0.53	0.62	1/2-20 UNF
5KLE - 10K	6.75	1.50	1.50	0.75	1.50	3.75	0.78	0.78	0.75	3/4-16 UNF
15K - 20K	8.88	2.00	2.00	1.00	2.00	4.88	1.03	1.03	1.00	1-14 UNF

### SPECIFICATIONS

Rated Output (mV/V)	3.00	Input Impedance	385 +/- 10 ohms
Nonlinearity	+/- 0.03% FS	Output Impedance	350 +/- 3 ohms
Hysteresis	+/- 0.02% FS	Insulation Resistance	5000 Megohms
Repeatability	+/- 0.01% FS	Excitation Voltage	10V AC/DC (20V Max)
Creep (30 minutes)	+/- 0.02% FS	Compensated Temperature Range	-10°C - +40°C
Zero Balance	+/- 1.00% FS	Operating Temperature Range	-20°C - +60°C
Temperature Effect on Zero	+/- 0.0027% of rated output/°C	Safe Overload	150% FS
Temperature Effect on Output	+/- 0.0015% of applied load/°C	Cable Length	20' Standard Cable
Cable Color Code	Input Green +Excitation Black -Excitation	Output White +Signal Red -Signal	Seal Type Environmentally-Sealed, IP67

# CG-23-1

▶ **THROUGH HOLE  
SINGLE-ENDED SHEAR BEAM**

▶ **ALLOY STEEL**

NTEP 1:5000 Class III Multiple Cell, IP67

Coti Global Sensors • 5699 Highway 53 Harvest, Alabama 35749 • Toll Free: 1-866-762-COTI(2684) • Fax: 256-852-9903 • www.cotiglobal.com



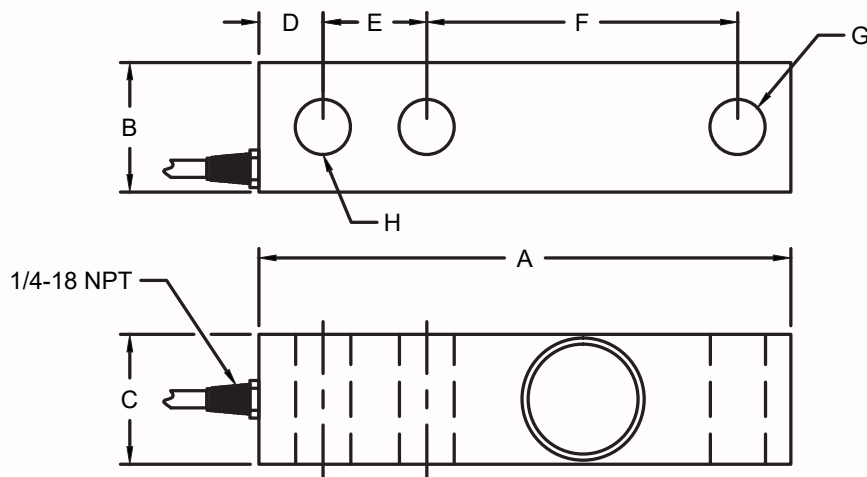
### CG-23-1 ORDER INFORMATION DISCOUNT C SUGGESTED LIST PRICE

CG-23-1 *100lb, 250lb, 500lb, 750lb, 1K, 1.5K, 2K, 2.5K, 4K, 5K SE.....	\$ 190.58
CG-23-1 5K LE, 10K.....	\$ 317.63
CG-23-1 15K, 20K.....	\$ 629.48
*Non-NTEP	

### INTERCHANGEABLE PRODUCTS

Artech.....	30210
Rice Lake Weighing Systems.....	RL30002
Tedea.....	3410

Main Dimensions and Accessories



CG-23-1 NON-THREADED LOAD HOLE

RATED CAPACITY	DIMENSIONS								
	A	B	C	D	E	F	G	H	J
100LB - 750LB	5.12	1.25	1.25	0.62	1.00	3.00	0.53	0.53	0.62
1K - 5KSE	5.12	1.25	1.25	0.62	1.00	3.00	0.53	0.53	0.62
5KLE - 10K	6.75	1.50	1.50	0.75	1.50	3.75	0.78	0.78	0.75
15K - 20K	8.88	2.00	2.00	1.00	2.00	4.88	1.03	1.03	1.00

### SPECIFICATIONS

Rated Output (mV/V)	3.00	Input Impedance	385 +/- 10 ohms
Nonlinearity	+/- 0.03% FS	Output Impedance	350 +/- 3 ohms
Hysteresis	+/- 0.02% FS	Insulation Resistance	5000 Megohms
Repeatability	+/- 0.01% FS	Excitation Voltage	10V AC/DC (20V Max)
Creep (30 minutes)	+/- 0.02% FS	Compensated Temperature Range	-10°C - +40°C
Zero Balance	+/- 1.00% FS	Operating Temperature Range	-20°C - +60°C
Temperature Effect on Zero	+/- 0.0027% of rated output/°C	Safe Overload	150% FS
Temperature Effect on Output	+/- 0.0015% of applied load/°C	Cable Length	20' Standard Cable
Cable Color Code	Input Green +Excitation Black -Excitation	Output White +Signal Red -Signal	Seal Type Environmentally-Sealed, IP67



# CG-23-SS

▶ **THREADED HOLE  
SINGLE-ENDED SHEAR BEAM**

▶ **STAINLESS STEEL**  
NTEP 1:5000 Class III Multiple Cell, IP67

Coti Global Sensors • 5699 Highway 53 Harvest, Alabama 35749 • Toll Free: 1-866-762-COTI(2684) • Fax: 256-852-9903 • www.cotiglobal.com



### CG-23-SS ORDER INFORMATION

	DISCOUNT C	SUGGESTED LIST PRICE
CG-23-SS 250lb, 500lb, 750lb, 1K, 1.5K, 2K, 2.5K, 4K, 5K SE.....		\$ 306.08
CG-23-SS 5K LE, 10K.....		\$ 381.15
CG-23-SS 15K, 20K.....		\$ 744.98

*SE refers to small envelope • LE refers to large envelope*

### INTERCHANGEABLE PRODUCTS: CG-23-SS

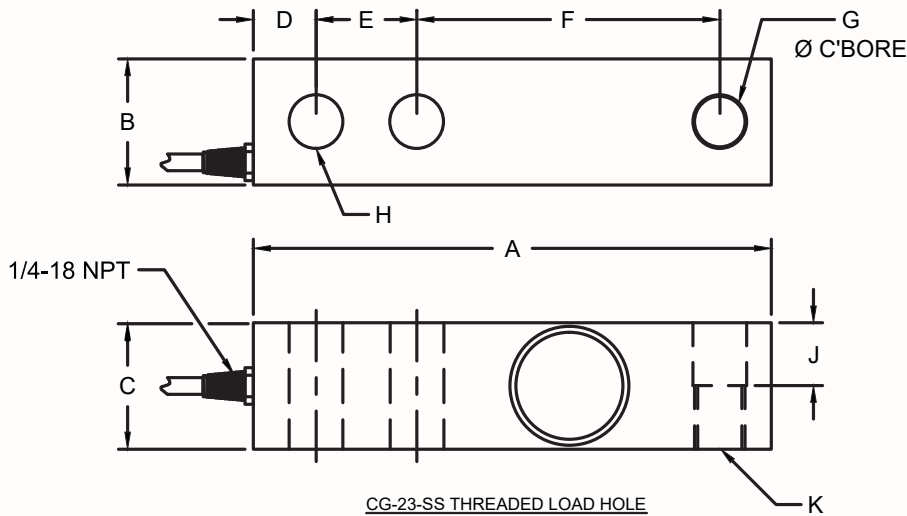
Artech.....	SS30310
Celtron.....	SQB SS *
HBM.....	B35
Revere.....	9123
Rice Lake Weighing Systems.....	RL35023S, RL39123
Sensortronics.....	65023S-SS *
Transcell.....	SBS
Zemic.....	B8D

\*HBM B35 and Sensortronics 65023S/SS Dimension C is 1.00" vs 1.25 on 250lb-5Kse"

### WEIGH MODULE AVAILABLE

Coti Global Sensors	CG23M-SS see page 136
Coti Global Sensors	CG59M-SS see page 139
Coti Global Sensors	CG82M-SS see page 142

Main Dimensions and Accessories



RATED CAPACITY	DIMENSIONS									
	A	B	C	D	E	F	G	H	J	K
250LB - 750LB	5.12	1.25	1.25	0.62	1.00	3.00	0.53	0.53	0.62	1/2-20 UNF
1K - 5KSE	5.12	1.25	1.25	0.62	1.00	3.00	0.53	0.53	0.62	1/2-20 UNF
5KLE - 10K	6.75	1.50	1.50	0.75	1.50	3.75	0.78	0.78	0.75	3/4-16 UNF
15K - 20K	8.88	2.00	2.00	1.00	2.00	4.88	1.03	1.03	1.00	1-14 UNF

## SPECIFICATIONS

Rated Output (mV/V)	3.00	Input Impedance	385 +/- 10 ohms
Nonlinearity	+/- 0.03% FS	Output Impedance	350 +/- 3 ohms
Hysteresis	+/- 0.02% FS	Insulation Resistance	5000 Megohms
Repeatability	+/- 0.01% FS	Excitation Voltage	10V AC/DC (20V Max)
Creep (30 minutes)	+/- 0.02% FS	Compensated Temperature Range	-10°C - +40°C
Zero Balance	+/- 1.00% FS	Operating Temperature Range	-20°C - +60°C
Temperature Effect on Zero	+/- 0.0027% of rated output/°C	Safe Overload	150%, 20K - 130% FS
Temperature Effect on Output	+/- 0.0015% of applied load/°C	Cable Length	20' Standard Cable
Cable Color Code	Input	Output	Seal Type
	Green +Excitation	White +Signal	Environmentally-Sealed, IP67
	Black -Excitation	Red -Signal	

# CG-23-SS-1

▶ **THROUGH HOLE  
SINGLE-ENDED SHEAR BEAM**

▶ **STAINLESS STEEL**  
NTEP 1:5000 Class III Multiple Cell, IP67

Coti Global Sensors • 5699 Highway 53 Harvest, Alabama 35749 • Toll Free: 1-866-762-COTI(2684) • Fax: 256-852-9903 • www.cotiglobal.com



## CG-23-SS-1 ORDER INFORMATION DISCOUNT C SUGGESTED LIST PRICE

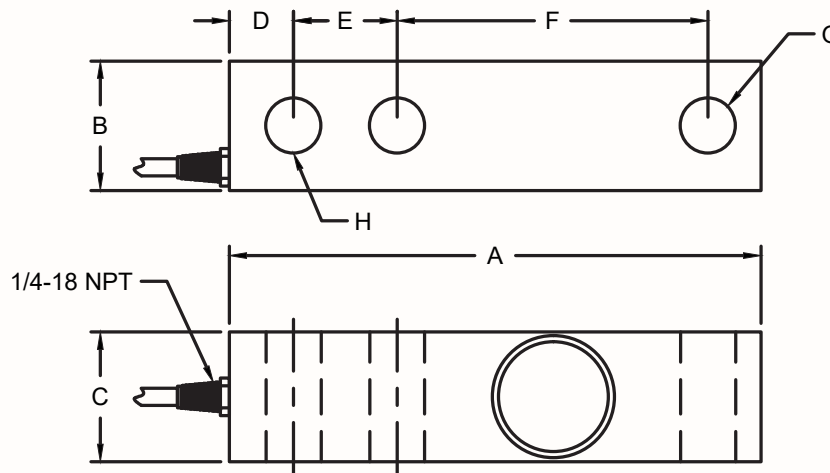
CG-23-SS-1 250lb, 500lb, 750lb, 1K, 1.5K, 2K, 2.5K, 4K, 5K SE.....	\$ 306.08
CG-23-SS-1 5K LE, 10K.....	\$ 381.15
CG-23-SS-1 15K, 20K.....	\$ 744.98

*SE refers to small envelope • LE refers to large envelope*

## INTERCHANGEABLE PRODUCTS: CG-23-SS-1

Artech.....	SS30210
-------------	---------

Main Dimensions and Accessories



CG-23-SS-1 NON-THREADED LOAD HOLE

RATED CAPACITY	DIMENSIONS							
	A	B	C	D	E	F	G	H
250LB - 750LB	5.12	1.25	1.25	0.62	1.00	3.00	0.53	0.53
1K - 5KSE	5.12	1.25	1.25	0.62	1.00	3.00	0.53	0.53
5KLE - 10K	6.75	1.50	1.50	0.75	1.50	3.75	0.78	0.78
15K - 20K	8.88	2.00	2.00	1.00	2.00	4.88	1.03	1.03

## SPECIFICATIONS

Rated Output (mV/V)	3.00	Input Impedance	385 +/- 10 ohms
Nonlinearity	+/- 0.03% FS	Output Impedance	350 +/- 3 ohms
Hysteresis	+/- 0.02% FS	Insulation Resistance	5000 Megohms
Repeatability	+/- 0.01% FS	Excitation Voltage	10V AC/DC (20V Max)
Creep (30 minutes)	+/- 0.02% FS	Compensated Temperature Range	-10°C - +40°C
Zero Balance	+/- 1.00% FS	Operating Temperature Range	-20°C - +60°C
Temperature Effect on Zero	+/- 0.0027% of rated output/°C	Safe Overload	150% FS
Temperature Effect on Output	+/- 0.0015% of applied load/°C	Cable Length	20' Standard Cable
Cable Color Code	Input	Output	Seal Type
	Green +Excitation	White +Signal	Environmentally-Sealed, IP67
	Black -Excitation	Red -Signal	

# CG-23-SSW-02

**THREADED HOLE  
SINGLE-ENDED SHEAR BEAM**

**STAINLESS STEEL**  
NTEP 1:5000 Class III Multiple Cell

Coti Global Sensors • 5699 Highway 53 Harvest, Alabama 35749 • Toll Free: 1-866-762-COTI(2684) • Fax: 256-852-9903 • www.cotiglobal.com



**CG-23-SSW-XX ORDER INFORMATION DISCOUNT C SUGGESTED LIST PRICE**

CG-23-SSW-02-C20 2mv/v Threaded Hole 20' common cable		
1K, 1.5K, 2K, 2.5K, 4K, 5K SE		\$ 346.50
5K LE, 10K		\$ 433.13
CG-23-SSW-02-T20 2mv/v Threaded Hole 20' Teflon cable		
1K, 1.5K, 2K, 2.5K, 4K, 5K SE		\$ 433.13
5K LE, 10K		\$ 490.88

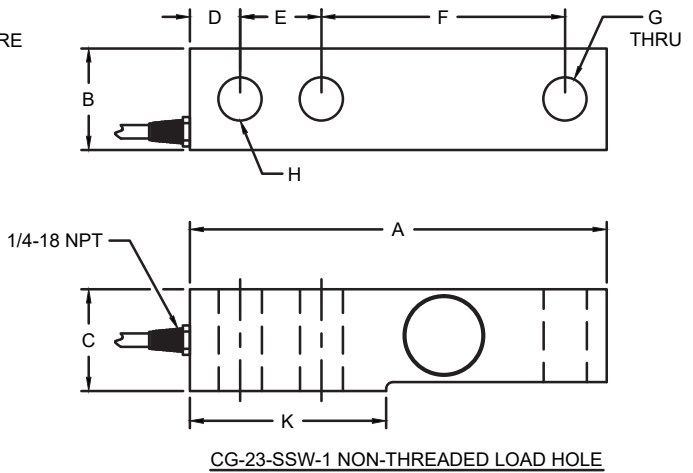
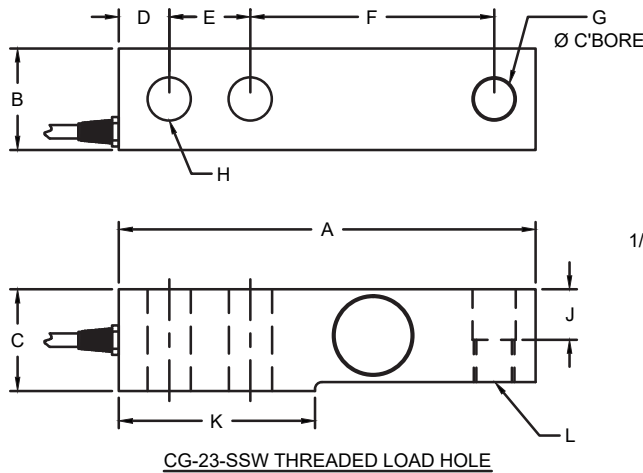
**INTERCHANGEABLE PRODUCTS**

Rice Lake Weighing Systems.....	RL35082
Rice Lake Weighing Systems.....	RLHTO
Sensortronics.....	65083S
Toledo .....	715 Series
Toledo.....	TB600531 2.5K

**WEIGH MODULE AVAILABLE**

Coti Global Sensors	CG23M-SSW see page 137
Coti Global Sensors	CG59M-SSW see page 140
Coti Global Sensors	CG82M-SSW see page 143

Main Dimensions and Accessories



RATED CAPACITY	DIMENSIONS										
	A	B	C	D	E	F	G	H	J	K	L
1K - 5KSE	5.12	1.25	1.25	0.62	1.00	3.00	0.50	0.53	0.62	2.25	1/2-20 UNF
5KLE - 10K	6.75	1.50	1.50	0.75	1.50	3.75	0.75	0.78	0.75	3.00	3/4-16 UNF

**SPECIFICATIONS**

Rated Output (mV/V)	2.00	Input Impedance	385 +/- 10 ohms
Nonlinearity	+/- 0.03% FS	Output Impedance	350 +/- 3 ohms
Hysteresis	+/- 0.02% FS	Insulation Resistance	5000 Megohms
Repeatability	+/- 0.01% FS	Excitation Voltage	10V AC/DC (20V Max)
Creep (30 minutes)	+/- 0.02% FS	Compensated Temperature Range	-10°C - +40°C
Zero Balance	+/- 1.00% FS	Operating Temperature Range	-20°C - +60°C
Temperature Effect on Zero	+/- 0.0027% of rated output/°C	Safe Overload	150% FS
Temperature Effect on Output	+/- 0.0015% of applied load/°C	Cable Length	20' Standard Cable
Cable Color Code	Input	Output	Seal Type
	Green +Excitation	White +Signal	Welded-Seal, IP67
	Black -Excitation	Red -Signal	

# CG-23-SSW-03

## THREADED HOLE SINGLE-ENDED SHEAR BEAM

## STAINLESS STEEL NTEP 1:5000 Class III Multiple Cell

Coti Global Sensors • 5699 Highway 53 Harvest, Alabama 35749 • Toll Free: 1-866-762-COTI(2684) • Fax: 256-852-9903 • www.cotiglobal.com



### CG-23-SSW-XX ORDER INFORMATION DISCOUNT C SUGGESTED LIST PRICE

CG-23-SSW-03-C20	3mv/v Threaded Hole 20' common cable	
	1K, 1.5K, 2K, 2.5K, 4K, 5K SE	\$ 346.50
	5K LE, 10K	\$ 433.13
CG-23-SSW-03-T20	3mv/v Threaded Hole 20' Teflon cable	
	1K, 1.5K, 2K, 2.5K, 4K, 5K SE	\$ 433.13
	5K LE, 10K	\$ 490.88

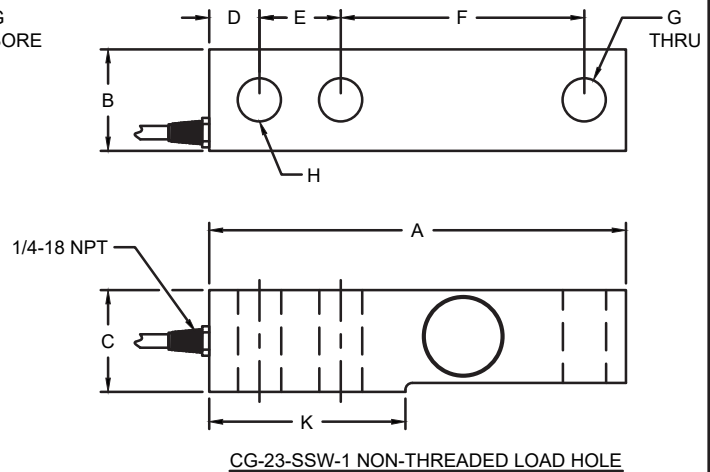
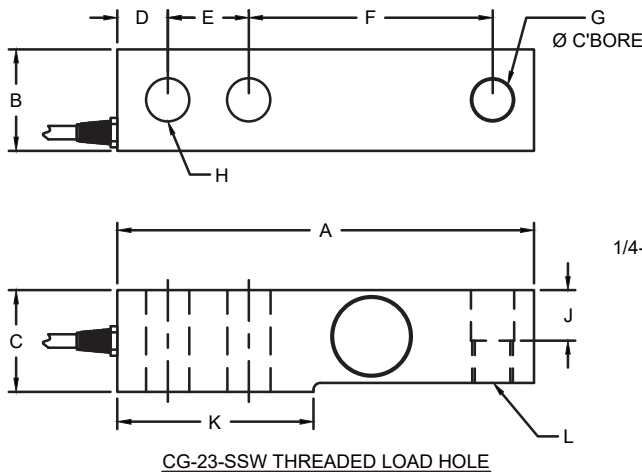
### INTERCHANGEABLE PRODUCTS

Celtron.....	SQB HSS
Fairbanks.....	3-54786-1
HBM.....	H35
Rice Lake Weighing Systems.....	RL35083, RLH35
Sensortronics.....	65083
Toledo.....	TB601016-020 1K, TB601016-008 2.5K
Toledo.....	TB601017-020 4K, TB601018-008 5K
Toledo.....	0793

### WEIGH MODULE AVAILABLE

Coti Global Sensors	CG23M-SSW see page 137
Coti Global Sensors	CG59M-SSW see page 140
Coti Global Sensors	CG82M-SSW see page 143

Main Dimensions and Accessories



RATED CAPACITY	DIMENSIONS										
	A	B	C	D	E	F	G	H	J	K	L
1K - 5KSE	5.12	1.25	1.25	0.62	1.00	3.00	0.50	0.53	0.62	2.25	1/2-20 UNF
5KLE - 10K	6.75	1.50	1.50	0.75	1.50	3.75	0.75	0.78	0.75	3.00	3/4-16 UNF

### SPECIFICATIONS

Rated Output (mV/V)	3.00	Input Impedance	385 +/- 10 ohms
Nonlinearity	+/- 0.03% FS	Output Impedance	350 +/- 3 ohms
Hysteresis	+/- 0.02% FS	Insulation Resistance	5000 Megohms
Repeatability	+/- 0.01% FS	Excitation Voltage	10V AC/DC (20V Max)
Creep (30 minutes)	+/- 0.02% FS	Compensated Temperature Range	-10°C - +40°C
Zero Balance	+/- 1.00% FS	Operating Temperature Range	-20°C - +60°C
Temperature Effect on Zero	+/- 0.0027% of rated output/°C	Safe Overload	150% FS
Temperature Effect on Output	+/- 0.0015% of applied load/°C	Cable Length	20' Standard Cable
Cable Color Code	Input Green +Excitation Black -Excitation	Output White +Signal Red -Signal	Seal Type Welded-Seal, IP67

# CG-23-LP

▶ **THREADED HOLE, SINGLE-ENDED SHEAR BEAM**

▶ **ALLOY STEEL**

Environmentally Sealed, IP67

NTEP 1:5000 Class III Multiple Cell

Coti Global Sensors • 5699 Highway 53 Harvest, Alabama 35749 • Toll Free: 1-866-762-COTI(2684) • Fax: 256-852-9903 • www.cotiglobal.com



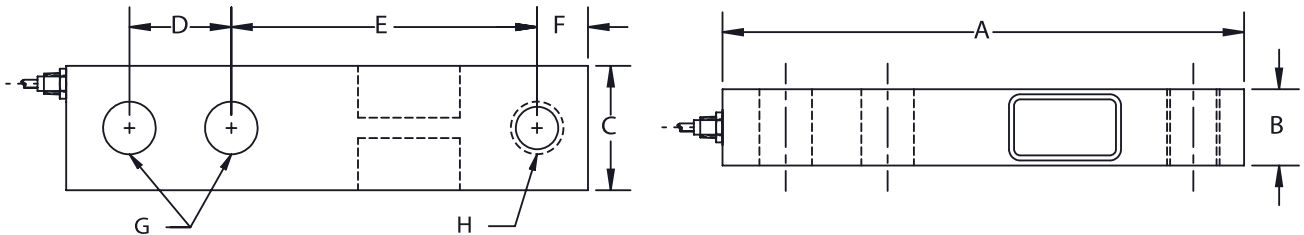
## CG-23-LP ORDER INFORMATION

	DISCOUNT C	SUGGESTED LIST PRICE
1K		\$ 190.58
2.5K		\$ 190.58

## INTERCHANGEABLE PRODUCTS

Artech.....	SS30315
Artech.....	30315
Sensortronics.....	.65023A-5507

Main Dimensions and Accessories



RATED CAPACITY	DIMENSIONS							
	A	B	C	D	E	F	G	H
1K-2.5K	5.12	0.75	1.22	1.00	3.00	0.50	0.51	1/2-20UNF

## SPECIFICATIONS

Rated Output (mV/V)	3.00	Input Impedance	385 +/- 10 ohms
Nonlinearity	+/- 0.03% FS	Output Impedance	350 +/- 3 ohms
Hysteresis	+/- 0.02% FS	Insulation Resistance	5000 Megohms
Repeatability	+/- 0.01% FS	Excitation Voltage	10V AC/DC (20V Max)
Creep (30 minutes)	+/- 0.02% FS	Compensated Temperature Range	-10°C - +40°C
Zero Balance	+/- 1.00% FS	Operating Temperature Range	-20°C - +60°C
Temperature Effect on Zero	+/- 0.0027% of rated output/°C	Safe Overload	150% FS
Temperature Effect on Output	+/- 0.0015% of applied load/°C	Cable Length	20' Standard Cable
Cable Color Code	Input	Output	Seal Type
	Green +Excitation	White +Signal	Environmentally-Sealed, IP67
	Black -Excitation	Red -Signal	

# CG-60040

▶ SINGLE-ENDED BEAM

▶ STAINLESS STEEL

Coti Global Sensors • 5699 Highway 53 Harvest, Alabama 35749 • Toll Free: 1-866-762-COTI(2684) • Fax: 256-852-9903 • www.cotiglobal.com



### CG-60040 ORDER INFORMATION

	DISCOUNT C	SUGGESTED LIST PRICE
25 lb, 50 lb, 75 lb, 100 lb		\$282.98
150 lb, 250 lb, 500 lb		\$282.98

### INTERCHANGEABLE PRODUCTS

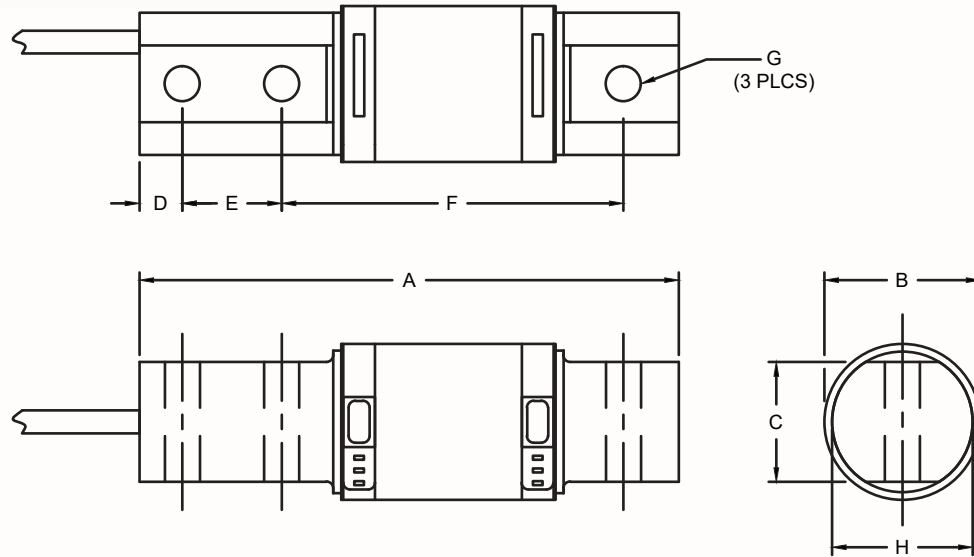
Artech.....	50210
Revere Transducers.....	5503
Revere Transducers.....	9503
Rice Lake Weighing Systems.....	RL50210
Rice Lake Weighing Systems.....	RL60040SST
Sensortronics.....	60040

### WEIGH MODULE AVAILABLE

Coti Global Sensors

CG59M-SS see page 139

Main Dimensions and Accessories



RATED CAPACITY	DIMENSIONS							
	A	B	C	D	E	F	G	H
25LB - 500LB	2.81	1.30	0.62	0.25	0.50	1.81	0.26	1.00

### ▶ SPECIFICATIONS ◀

Rated Output (mV/V)	3.00	Input Impedance	385 +/- 10 ohms
Nonlinearity	+/- 0.03% FS	Output Impedance	350 +/- 3 ohms
Hysteresis	+/- 0.03% FS	Insulation Resistance	5000 Megohms
Repeatability	+/- 0.01% FS	Excitation Voltage	10V AC/DC (20V Max)
Creep (30 minutes)	+/- 0.02% FS	Compensated Temperature Range	-10°C - +40°C
Zero Balance	+/- 1.00% FS	Operating Temperature Range	-20°C - +60°C
Temperature Effect on Zero	+/- 0.0027% of rated output/°C	Safe Overload	150% FS
Temperature Effect on Output	+/- 0.0015% of applied load/°C	Cable Length	30' Standard Cable
Cable Color Code	Input	Output	Seal Type
	Red +Excitation	Green +Signal	Environmentally-Sealed, IP65
	Black -Excitation	White -Signal	



# CG-SB3

- ▶ **SINGLE-ENDED BEAM**
- ▶ **STAINLESS STEEL 1K - 10K / ALLOY STEEL 20K - 100K**
- Environmentally-Sealed, IP67
- NTEP 1:5000 Class III Multiple Cell

Coti Global Sensors • 5699 Highway 53 Harvest, Alabama 35749 • Toll Free: 1-866-762-COTI(2684) • Fax: 256-852-9903 • www.cotiglobal.com



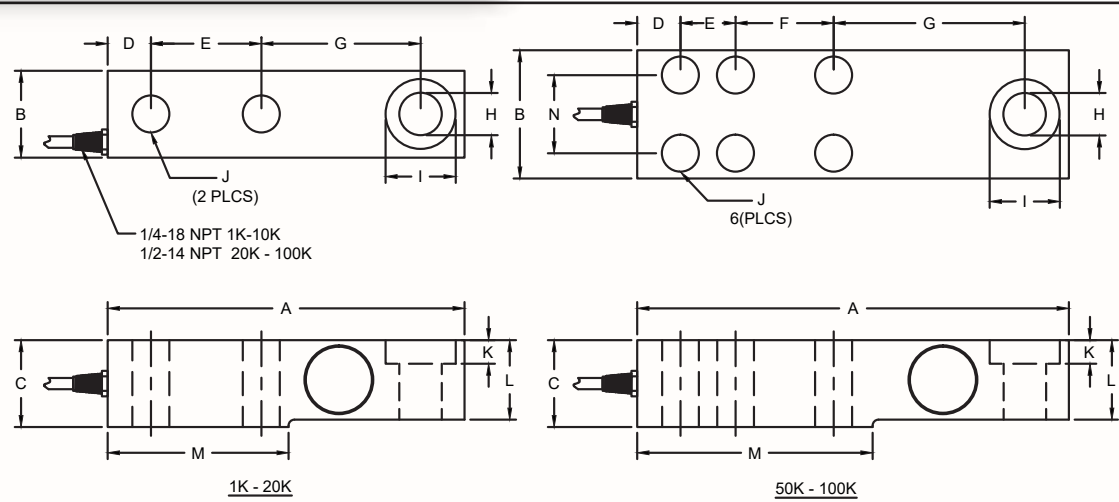
### CG-SB3 ORDER INFORMATION

	DISCOUNT C	SUGGESTED LIST PRICE
1K		\$ 624.75
2K		\$ 624.75
5K		\$ 624.75
10K		\$ 740.25
20K		\$1126.13
*50K		\$2286.90
*100K		\$3805.73
*Non-NTEP		

### INTERCHANGEABLE PRODUCTS

HBM.....	SB3
Revere.....	SSB
Rice Lake Weighing Systems.....	RLSSB

Main Dimensions and Accessories



RATED CAPACITY	DIMENSIONS													
	A	B	C	D	E	F	G	H	I	J	K	L	M	N
1K - 5K	8.00	1.44	1.88	0.74	2.50	-	3.88	0.68	1.19	0.53	0.47	1.44	4.00	-
10K	9.25	1.88	2.75	0.81	2.62	-	4.88	1.00	1.63	0.88	0.62	1.88	4.62	-
20K	11.00	2.38	3.25	1.00	3.25	-	5.50	1.25	2.01	1.06	0.81	2.50	5.50	-
50K	14.75	3.75	4.62	0.71	2.00	3.00	7.12	1.75	2.89	0.88	1.21	3.19	7.38	2.00
100K	16.38	3.75	5.62	1.01	2.12	3.62	7.75	0.69	2.58	1.06	1.25	4.00	8.25	2.12

## SPECIFICATIONS

Rated Output (mV/V)	2.00	Input Impedance	380 +/- 10 ohms
Nonlinearity	+/- 0.03% FS	Output Impedance	350 +/- 3 ohms
Hysteresis	+/- 0.02% FS	Insulation Resistance	5000 Megohms
Repeatability	+/- 0.01% FS	Excitation Voltage	10V AC/DC (20V Max)
Creep (30 minutes)	+/- 0.02% FS	Compensated Temperature Range	-10°C - +40°C
Zero Balance	+/- 1.00% FS	Operating Temperature Range	-20°C - +60°C
Temperature Effect on Zero	+/- 0.0027% of rated output/°C	Safe Overload	150% FS
Temperature Effect on Output	+/- 0.0015% of applied load/°C	Cable Length	1K-20K 20' Standard Cable
Cable Color Code	Input	Output	Cable Length
	Green +Excitation	White +Signal	50K-100K 50' Braided Shield
	Black -Excitation	Red -Signal	Seal Type
			Environmentally-Sealed, IP67

# CG-SB3-1

▶ SINGLE-ENDED BEAM

▶ ALLOY STEEL

Coti Global Sensors • 5699 Highway 53 Harvest, Alabama 35749 • Toll Free: 1-866-762-COTI(2684) • Fax: 256-852-9903 • www.cotiglobal.com



### CG-SB3-1 ORDER INFORMATION

DISCOUNT C

SUGGESTED LIST PRICE

\*115 K

\$4065.60

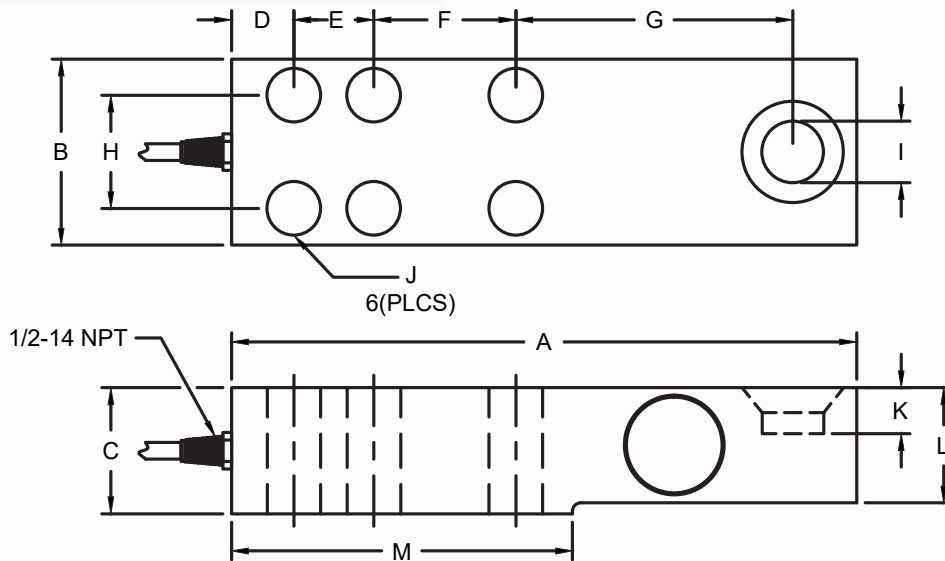
\* Blind Load Hole

### INTERCHANGEABLE PRODUCTS

HBM.....

SB3

Main Dimensions and Accessories



RATED CAPACITY	DIMENSIONS												
	A	B	C	D	E	F	G	H	I	J	K	L	M
115K	16.38	3.75	5.62	1.01	2.12	3.62	7.75	2.12	2.00	1.06	1.25	4.00	8.25

### ▶ SPECIFICATIONS ◀

Rated Output (mV/V)	2.30	Input Impedance	1000 +/- 10 ohms
Nonlinearity	+/- 0.03% FS	Output Impedance	1000 +/- 5 ohms
Hysteresis	+/- 0.03% FS	Insulation Resistance	5000 Megohms
Repeatability	+/- 0.01% FS	Excitation Voltage	10V AC/DC (20V Max)
Creep (30 minutes)	+/- 0.02% FS	Compensated Temperature Range	-10°C - +40°C
Zero Balance	+/- 1.00% FS	Operating Temperature Range	-20°C - +60°C
Temperature Effect on Zero	+/- 0.0027% of rated output/°C	Safe Overload	150% FS
Temperature Effect on Output	+/- 0.0015% of applied load/°C	Cable Length	50' Braided Shield
Cable Color Code	Input	Output	Seal Type
	Green +Excitation	White +Signal	Environmentally-Sealed, IP67
	Black -Excitation	Red -Signal	



# CG-SSB

▶ SINGLE-ENDED BEAM

▶ STAINLESS STEEL

NTEP 1:5000 Class III Multiple Cell

Coti Global Sensors • 5699 Highway 53 Harvest, Alabama 35749 • Toll Free: 1-866-762-COTI(2684) • Fax: 256-852-9903 • www.cotiglobal.com



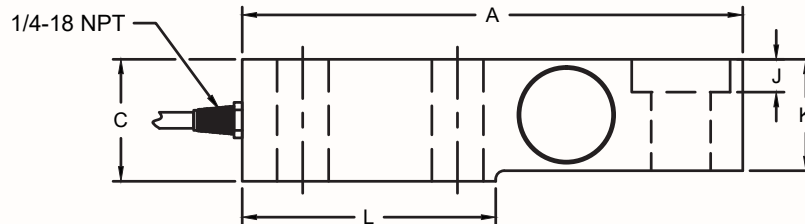
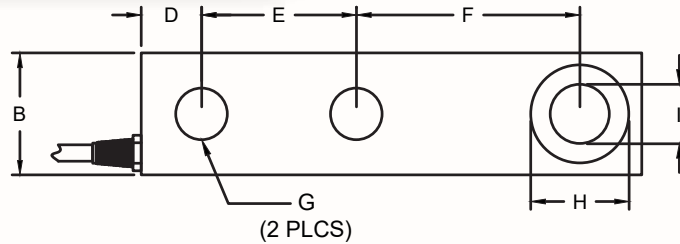
### CG-SSB ORDER INFORMATION

	DISCOUNT C	SUGGESTED LIST PRICE
1K		\$ 624.75
2K		\$ 624.75
5K		\$ 624.75
10K		\$ 740.25

### INTERCHANGEABLE PRODUCTS

Artech.....	SS30610
HBM.....	SB3
Revere.....	SSB
Rice Lake Weighing Systems.....	RLSSB

Main Dimensions and Accessories



RATED CAPACITY	DIMENSIONS											
	A	B	C	D	E	F	G	H	I	J	K	L
1K - 5K	8.00	1.44	1.88	0.74	2.50	3.88	0.53	1.19	0.68	0.47	1.44	4.00
10K	9.25	1.88	2.75	0.81	2.62	4.88	0.88	1.63	1.00	0.62	1.88	4.62

## ▶ SPECIFICATIONS ◀

Rated Output (mV/V)	2.00	Input Impedance	385 +/- 10 ohms
Nonlinearity	+/- 0.03% FS	Output Impedance	350 +/- 3 ohms
Hysteresis	+/- 0.02% FS	Insulation Resistance	5000 Megohms
Repeatability	+/- 0.01% FS	Excitation Voltage	10V AC/DC (20V Max)
Creep (30 minutes)	+/- 0.02% FS	Compensated Temperature Range	-10°C - +40°C
Zero Balance	+/- 1.00% FS	Operating Temperature Range	-20°C - +60°C
Temperature Effect on Zero	+/- 0.0027% of rated output/°C	Safe Overload	150% FS
Temperature Effect on Output	+/- 0.0015% of applied load/°C	Cable Length	30' Standard Cable
Cable Color Code	Input Green +Excitation Black -Excitation	Output White +Signal Red -Signal	Seal Type Environmentally-Sealed, IP67

# CG-SSB-10

▶ SINGLE-ENDED BEAM

▶ ALLOY STEEL

Coti Global Sensors • 5699 Highway 53 Harvest, Alabama 35749 • Toll Free: 1-866-762-COTI(2684) • Fax: 256-852-9903 • www.cotiglobal.com



## CG-SSB-10 ORDER INFORMATION DISCOUNT C SUGGESTED LIST PRICE

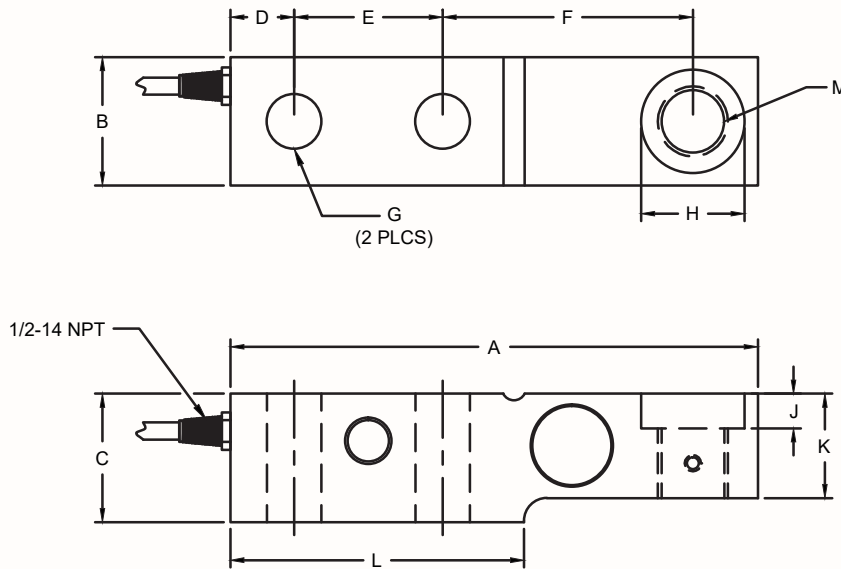
40K

\$2236.08

## INTERCHANGEABLE PRODUCTS

HBM..... SB4

Main Dimensions and Accessories



RATED CAPACITY	DIMENSIONS											
	A	B	C	D	E	F	G	H	J	K	L	M
40K	12.50	2.75	3.75	1.25	3.50	6.25	1.31	1.88	0.70	2.68	6.50	1-1/2-12 UNF

## ▶ SPECIFICATIONS ◀

Rated Output (mV/V)	2.00	Input Impedance	1080 +/- 10 ohms
Nonlinearity	+/- 0.03% FS	Output Impedance	1000 +/- 5 ohms
Hysteresis	+/- 0.03% FS	Insulation Resistance	5000 Megohms
Repeatability	+/- 0.01% FS	Excitation Voltage	10V AC/DC (20V Max)
Creep (30 minutes)	+/- 0.02% FS	Compensated Temperature Range	-10°C - +40°C
Zero Balance	+/- 1.00% FS	Operating Temperature Range	-20°C - +60°C
Temperature Effect on Zero	+/- 0.0027% of rated output/°C	Safe Overload	150% FS
Temperature Effect on Output	+/- 0.0015% of applied load/°C	Cable Length	50' Braided Shield
Cable Color Code	Input Green +Excitation Black -Excitation	Output White +Signal Red -Signal	Seal Type Environmentally-Sealed, IP67

# CG-SB2L

▶ SINGLE-ENDED BEAM

▶ ALLOY STEEL

Coti Global Sensors • 5699 Highway 53 Harvest, Alabama 35749 • Toll Free: 1-866-762-COTI(2684) • Fax: 256-852-9903 • www.cotiglobal.com



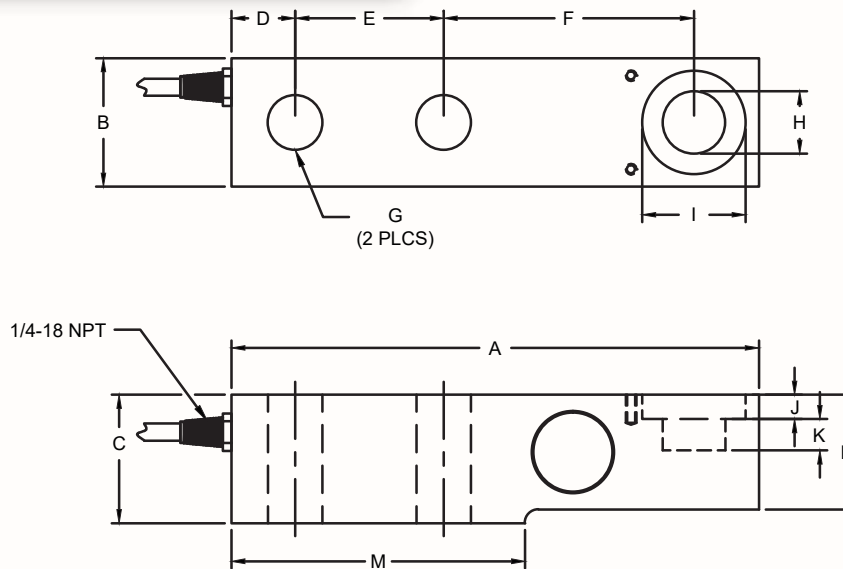
### CG-SB2L ORDER INFORMATION

DISCOUNT C	SUGGESTED LIST PRICE
45K	350.00
	\$1842.23

### INTERCHANGEABLE PRODUCTS

Masstron.....	ML4437
Rice Lake Weighing Systems.....	RLSB2L
Toledo .....	0743
TotalComp.....	TBM4

Main Dimensions and Accessories



RATED CAPACITY	DIMENSIONS												
	A	B	C	D	E	F	G	H	I	J	K	L	M
45K	12.50	2.75	3.25	1.25	3.50	6.25	1.31	1.50	2.00	0.38	0.56	2.76	6.22

### SPECIFICATIONS

Rated Output (mV/V)	2.00	Input Impedance	380 +/- 10 ohms
Nonlinearity	+/- 0.03% FS	Output Impedance	350 +/- 3 ohms
Hysteresis	+/- 0.03% FS	Insulation Resistance	5000 Megohms
Repeatability	+/- 0.01% FS	Excitation Voltage	10V AC/DC (20V Max)
Creep (30 minutes)	+/- 0.02% FS	Compensated Temperature Range	-10°C - +40°C
Zero Balance	+/- 1.00% FS	Operating Temperature Range	-20°C - +60°C
Temperature Effect on Zero	+/- 0.0027% of rated output/°C	Safe Overload	150% FS
Temperature Effect on Output	+/- 0.0015% of applied load/°C	Cable Length	50' Braided Shield Cable
Cable Color Code	Input	Output	Seal Type
	Green +Excitation	White +Signal	Environmentally-Sealed, IP67
	Black -Excitation	Red -Signal	

# CG-SB2M

▶ SINGLE-ENDED BEAM

▶ ALLOY STEEL

Coti Global Sensors • 5699 Highway 53 Harvest, Alabama 35749 • Toll Free: 1-866-762-COTI(2684) • Fax: 256-852-9903 • www.cotiglobal.com

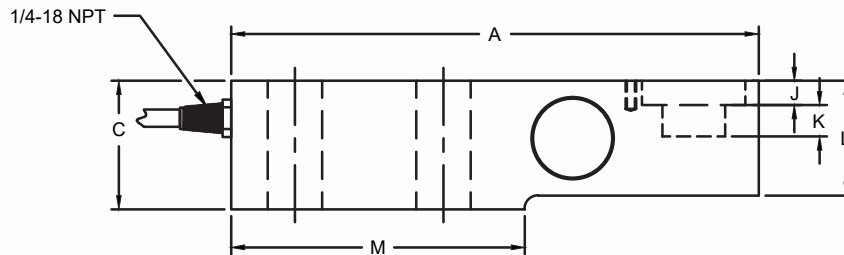
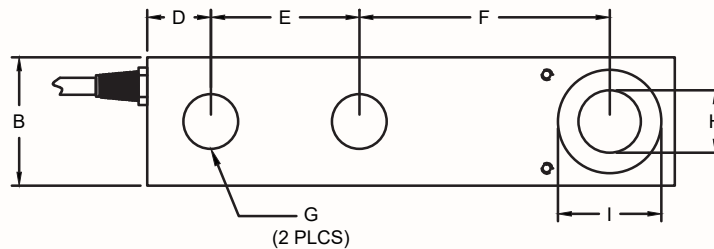


CG-SB2M ORDER INFORMATION	DISCOUNT C	SUGGESTED LIST PRICE
45K	2000Ω	\$1842.23

### INTERCHANGEABLE PRODUCTS

Rice Lake Weighing Systems.....	RLSB2M
TotalComp.....	TBM42

Main Dimensions and Accessories



RATED CAPACITY	DIMENSIONS												
	A	B	C	D	E	F	G	H	I	J	K	L	M
45K	12.50	2.75	3.25	1.25	3.50	6.25	1.31	1.50	2.00	0.38	0.56	2.76	6.22

### → SPECIFICATIONS ←

Rated Output (mV/V)	2.00	Input Impedance	2150 +/- 10 ohms
Nonlinearity	+/- 0.03% FS	Output Impedance	2000 +/- 5 ohms
Hysteresis	+/- 0.03% FS	Insulation Resistance	5000 Megohms
Repeatability	+/- 0.01% FS	Excitation Voltage	10V AC/DC (20V Max)
Creep (30 minutes)	+/- 0.02% FS	Compensated Temperature Range	-10°C - +40°C
Zero Balance	+/- 1.00% FS	Operating Temperature Range	-20°C - +60°C
Temperature Effect on Zero	+/- 0.0027% of rated output/°C	Safe Overload	150% FS
Temperature Effect on Output	+/- 0.0015% of applied load/°C	Cable Length	50' Braided Shield Cable
Cable Color Code	Input	Output	Seal Type
	Green +Excitation	White +Signal	Environmentally-Sealed, IP67
	Black -Excitation	Red -Signal	

# CG-743 & CG-743-SSW

▶ SINGLE-ENDED BEAM

▶ STAINLESS STEEL

NTEP 1:5000 Class III Multiple Cell

Coti Global Sensors • 5699 Highway 53 Harvest, Alabama 35749 • Toll Free: 1-866-762-COTI(2684) • Fax: 256-852-9903 • www.cotiglobal.com



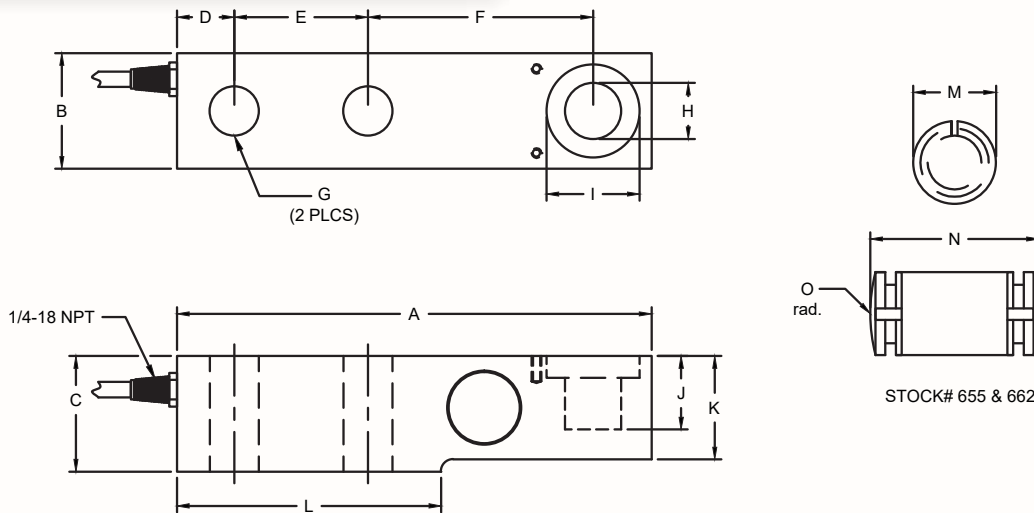
CG-743	ORDER INFORMATION	DISCOUNT C	SUGGESTED LIST PRICE
1K, 3K, 5K			\$ 889.35
10K, 20K			\$1111.69

CG-743-SSW	ORDER INFORMATION	DISCOUNT C	SUGGESTED LIST PRICE
1K, 3K, 5K			\$ 939.75
10K, 20K			\$1207.50

ACCESSORIES	DISCOUNT G	SUGGESTED LIST PRICE
Stock # 655	Rocker Pin (Dog Bone Style) 1K - 5K	\$ 46.20
Stock # 662	Rocker Pin (Dog Bone Style) 10K	\$ 46.20

INTERCHANGEABLE PRODUCTS
Masstron@... 1K..ML4311, 3K..ML4331, 5K..ML4350, 10K..ML4410, 20K..ML4420
Toledo..... 1K..13136900, 3K..13079300, 5K..13078900, 10K..13078400
Toledo..... 20K..13077500,.....20K..71208066 20K
Toledo..... 743 Mount
Totalcomp..... TB743

Main Dimensions and Accessories



RATED CAPACITY	DIMENSIONS														
	A	B	C	D	E	F	G	H	I	J	K	L	M	N	O
1K - 5K	8.00	1.44	1.70	0.74	2.50	3.88	0.52	0.62	1.26	1.19	1.46	3.75	-	-	-
10K	9.25	1.88	2.06	0.87	2.62	4.88	0.78	0.88	1.50	1.19	1.87	4.31	-	-	-
20K	11.00	2.38	2.62	1.00	3.25	5.50	1.06	1.25	1.89	0.82	2.36	5.25	-	-	-
#655	-	-	-	-	-	-	-	-	-	-	-	-	0.59	1.50	2.00
#662	-	-	-	-	-	-	-	-	-	-	-	-	0.85	1.73	2.00

## SPECIFICATIONS

Rated Output (mV/V)	2.00	Input Impedance	385 +/- 10 ohms
Nonlinearity	+/- 0.03% FS	Output Impedance	350 +/- 3 ohms
Hysteresis	+/- 0.02% FS	Insulation Resistance	5000 Megohms
Repeatability	+/- 0.01% FS	Excitation Voltage	10V AC/DC (20V Max)
Creep (30 minutes)	+/- 0.02% FS	Compensated Temperature Range	-10°C - +40°C
Zero Balance	+/- 1.00% FS	Operating Temperature Range	-20°C - +60°C
Temperature Effect on Zero	+/- 0.0027% of rated output/°C	Safe Overload	150% FS
Temperature Effect on Output	+/- 0.0015% of applied load/°C	Cable Length	30' Standard Cable
Cable Color Code	Input Green +Excitation Black -Excitation	Output White +Signal Red -Signal	Seal Type Environmentally-Sealed, IP67 Welded-Seal, IP67

# CG-745

▶ SINGLE-ENDED BEAM

▶ STAINLESS STEEL

NTEP 1:5000 Class III Multiple Cell

Coti Global Sensors • 5699 Highway 53 Harvest, Alabama 35749 • Toll Free: 1-866-762-COTI(2684) • Fax: 256-852-9903 • www.cotiglobal.com



### CG-745 ORDER INFORMATION

	DISCOUNT C	SUGGESTED LIST PRICE
500 lb, 1K, 1.25K, 2.5K, 4K		\$ 462.00
5K		\$ 635.25
10K		\$ 750.75

### ACCESSORIES

	DISCOUNT G	SUGGESTED LIST PRICE
Stock # 655 & 655A Rocker Pin (Dog Bone Style) 1K - 5K		\$ 46.20
Stock # 662 Rocker Pin (Dog Bone Style) 10K		\$ 46.20

### ACCESSORIES

	DISCOUNT C	SUGGESTED LIST PRICE
FT745 (1K - 5K) Load Cell Foot		\$ 57.75
FT745A (10K) Load Cell Foot		\$ 69.30
Stock #680 - Foot Retaining Clip		\$ 21.95

### INTERCHANGEABLE PRODUCTS

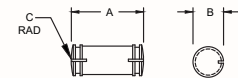
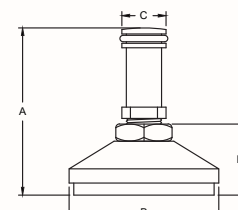
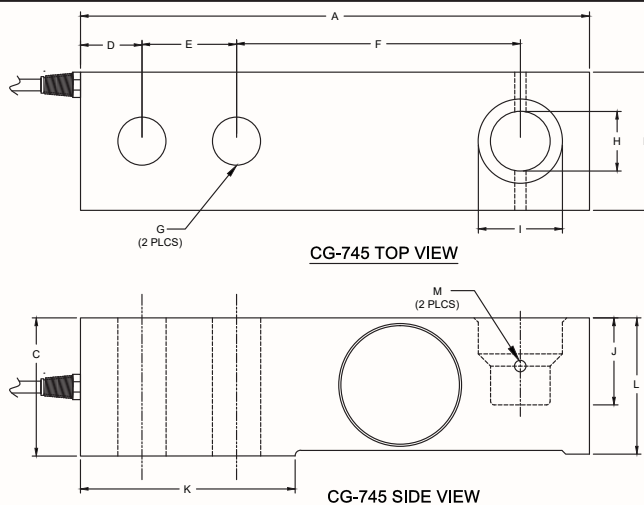
HBM.....	THC
Rice Lake Weighing Systems.....	RL30745
Toledo.....	TB600363 (1.25K), TB600342 (2.5K), TB600261 (4K)
	TB600364 (10K), TB600343 (5K), TB600529 (500 lb), 745A
Totalcomp.....	TB745

### WEIGH MODULE AVAILABLE

Coti Global Sensors

CG-RTM see page 144

Main Dimensions and Accessories



RATED CAPACITY	DIMENSIONS			
	A	B	C	D
FT745	2.14 - 2.30	2.00	0.59	0.95
FT745A	2.76 - 2.92	2.75	0.85	1.52

RATED CAPACITY	DIMENSIONS		
	A	B	C
#655	1.50	0.59	2.00
#655A	1.25	0.59	2.00
#662	1.73	0.85	2.00

RATED CAPACITY	DIMENSIONS												
	A	B	C	D	E	F	G	H	I	J	K	L	M
500LB-4K	5.25	1.21	1.19	0.63	1.00	3.00	0.51	0.63	0.89	0.69	2.27	1.18	0.12
5K	5.38	1.46	1.46	0.65	1.00	3.00	0.51	0.63	0.89	0.92	2.27	1.44	0.12
10K	6.75	1.69	1.69	0.75	1.50	3.75	0.78	0.89	1.38	1.07	2.91	1.67	0.12

### SPECIFICATIONS

Rated Output (mV/V)	2.00	Input Impedance	385 +/- 10 ohms
Nonlinearity	+/- 0.03% FS	Output Impedance	350 +/- 3 ohms
Hysteresis	+/- 0.02% FS	Insulation Resistance	5000 Megohms
Repeatability	+/- 0.01% FS	Excitation Voltage	10V AC/DC (20V Max)
Creep (30 minutes)	+/- 0.02% FS	Compensated Temperature Range	-10°C - +40°C
Zero Balance	+/- 1.00% FS	Operating Temperature Range	-20°C - +60°C
Temperature Effect on Zero	+/- 0.0027% of rated output/°C	Safe Overload	150% FS
Temperature Effect on Output	+/- 0.0015% of applied load/°C	Cable Length	30' Standard Cable
Cable Color Code	Input Green +Excitation Black -Excitation	Output White +Signal Red -Signal	Seal Type Environmentally-Sealed, IP67

# CG-SMB6

▶ SINGLE-ENDED BEAM

▶ ALLOY STEEL

Coti Global Sensors • 5699 Highway 53 Harvest, Alabama 35749 • Toll Free: 1-866-762-COTI(2684) • Fax: 256-852-9903 • www.cotiglobal.com



### CG-SMB6 ORDER INFORMATION DISCOUNT C SUGGESTED LIST PRICE

CG-SMB6 (350 ohms Bridge)	
35K	\$1829.52
45K	\$1829.52

\* Spacer Plate Included

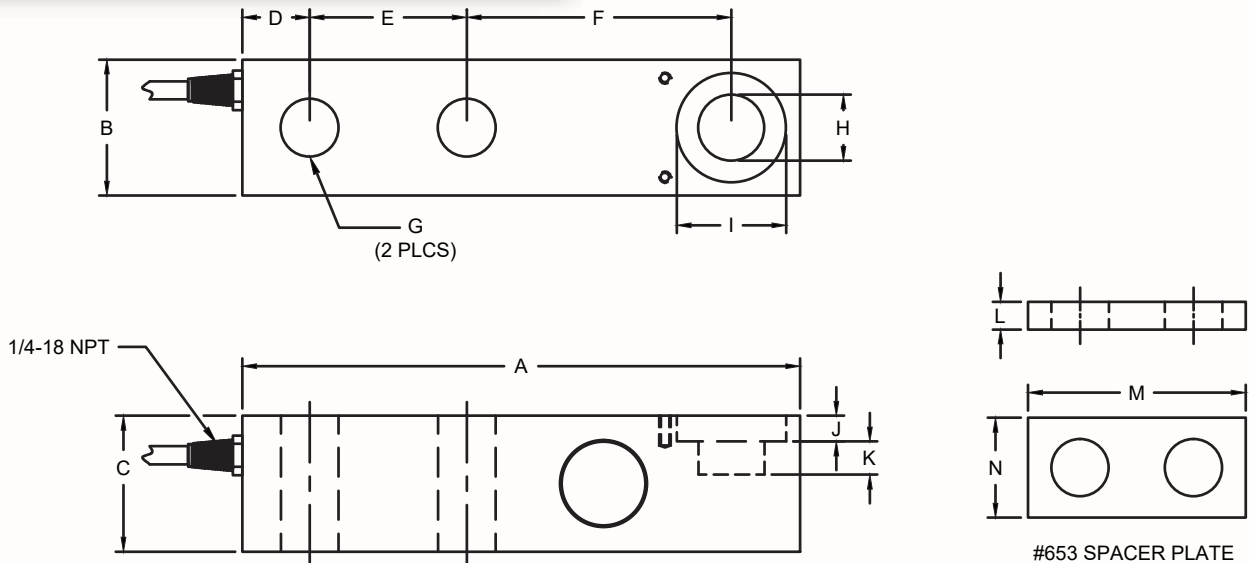
### ACCESSORIES DISCOUNT G SUGGESTED LIST PRICE

653 Spacer Plate	\$ 98.18
------------------	----------

### INTERCHANGEABLE PRODUCTS

Masstron.....	ML4447
Masstron.....	ML4449
TotalComp.....	TBM4

Main Dimensions and Accessories



RATED CAPACITY	DIMENSIONS													
	A	B	C	D	E	F	G	H	I	J	K	L	M	N
35K - 45K	12.50	2.75	2.75	1.25	3.50	6.25	1.31	1.50	2.00	0.38	0.94	-	-	-
#653	-	-	-	-	-	-	-	-	-	-	-	0.50	6.00	2.75

## ▶ SPECIFICATIONS ◀

Rated Output (mV/V)	2.00	Input Impedance	380 +/- 10 ohms
Nonlinearity	+/- 0.03% FS	Output Impedance	350 +/- 3 ohms
Hysteresis	+/- 0.03% FS	Insulation Resistance	5000 Megohms
Repeatability	+/- 0.01% FS	Excitation Voltage	10V AC/DC (20V Max)
Creep (30 minutes)	+/- 0.02% FS	Compensated Temperature Range	-10°C - +40°C
Zero Balance	+/- 1.00% FS	Operating Temperature Range	-20°C - +60°C
Temperature Effect on Zero	+/- 0.0027% of rated output/°C	Safe Overload	150% FS
Temperature Effect on Output	+/- 0.0015% of applied load/°C	Cable Length	50' Braided Shield Cable
Cable Color Code	Input	Output	Seal Type
	Green +Excitation	White +Signal	Environmentally-Sealed, IP67
	Black -Excitation	Red -Signal	



# CG-SMB6-2

▶ SINGLE-ENDED BEAM

▶ ALLOY STEEL

Coti Global Sensors • 5699 Highway 53 Harvest, Alabama 35749 • Toll Free: 1-866-762-COTI(2684) • Fax: 256-852-9903 • www.cotiglobal.com



## CG-SMB6-2 ORDER INFORMATION DISCOUNT C SUGGESTED LIST PRICE

CG-SMB6-2 (2000 ohms Bridge)	
35K	\$1829.52
45K	\$1829.52
* Spacer Plate Included	

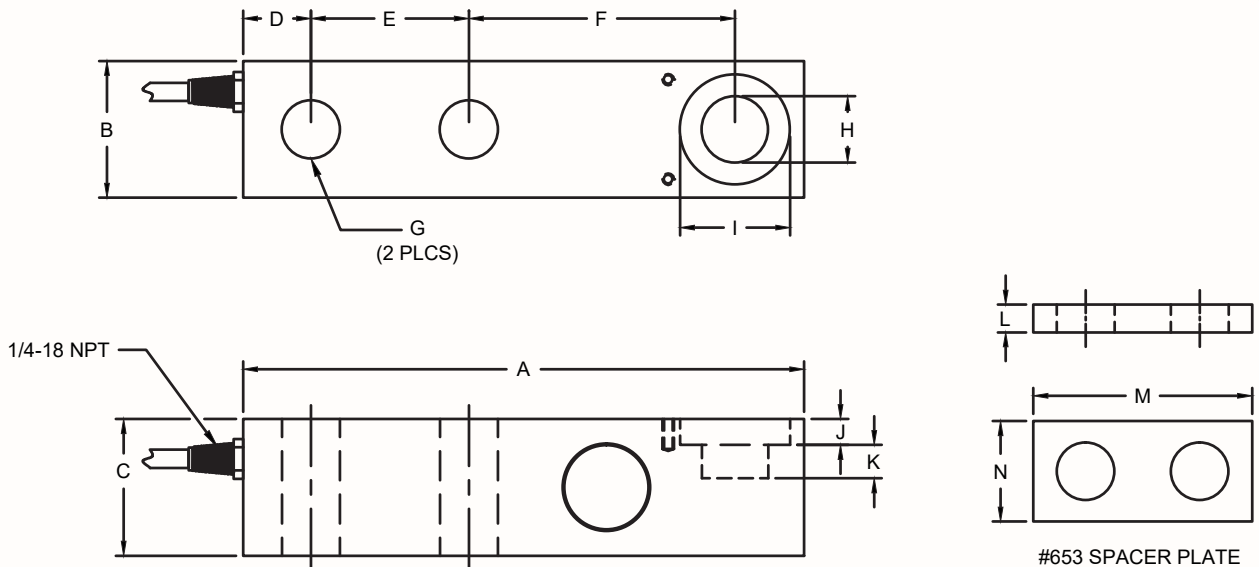
## ACCESSORIES DISCOUNT G SUGGESTED LIST PRICE

653 Spacer Plate	\$ 98.18
------------------	----------

## INTERCHANGEABLE PRODUCTS

Masstron.....	ML4447
Masstron.....	ML4449
Toledo.....	1332900B
TotalComp.....	TBM42

Main Dimensions and Accessories



RATED CAPACITY	DIMENSIONS														
	A	B	C	D	E	F	G	H	I	J	K	L	M	N	
35K - 45K	12.50	2.75	2.75	1.25	3.50	6.25	1.31	1.50	2.00	0.38	0.94	-	-	-	
#653	-	-	-	-	-	-	-	-	-	-	-	0.50	6.00	2.75	

## SPECIFICATIONS

Rated Output (mV/V)	2.00	Input Impedance	2150 +/- 10 ohms
Nonlinearity	+/- 0.03% FS	Output Impedance	2000 +/- 5 ohms
Hysteresis	+/- 0.03% FS	Insulation Resistance	5000 Megohms
Repeatability	+/- 0.01% FS	Excitation Voltage	10V AC/DC (20V Max)
Creep (30 minutes)	+/- 0.02% FS	Compensated Temperature Range	-10°C - +40°C
Zero Balance	+/- 1.00% FS	Operating Temperature Range	-20°C - +60°C
Temperature Effect on Zero	+/- 0.0027% of rated output/°C	Safe Overload	150% FS
Temperature Effect on Output	+/- 0.0015% of applied load/°C	Cable Length	50' Braided Shield Cable
Cable Color Code	Input Green +Excitation Black -Excitation	Output White +Signal Red -Signal	Seal Type Environmentally-Sealed, IP67



# CG-HMT

▶ SINGLE-ENDED BEAM

▶ STAINLESS STEEL

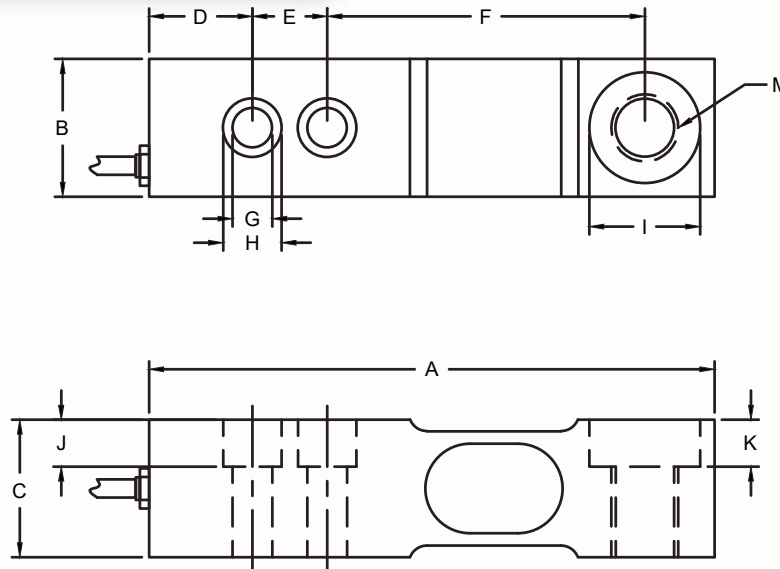
Coti Global Sensors • 5699 Highway 53 Harvest, Alabama 35749 • Toll Free: 1-866-762-COTI(2684) • Fax: 256-852-9903 • www.cotiglobal.com



CG-HMT ORDER INFORMATION	DISCOUNT C	SUGGESTED LIST PRICE
250 KG		\$ 433.13
500 KG		\$ 433.13
1250 KG		\$ 433.13

INTERCHANGEABLE PRODUCTS	
Cardinal.....	LFB-500HMT 250Kg
Cardinal.....	LFB-1000HMT 500Kg
Cardinal.....	LFB-2500HMT 1250Kg

Main Dimensions and Accessories



RATED CAPACITY	DIMENSIONS											
	A	B	C	D	E	F	G	H	I	J	K	L
250KG - 1250KG	4.75	1.00	1.00	1.00	0.75	2.50	0.43	0.62	0.88	0.37	0.38	M12x1.75

## ▶ SPECIFICATIONS ◀

Rated Output (mV/V)	2.00	Input Impedance	385 +/- 10 ohms
Nonlinearity	+/- 0.03% FS	Output Impedance	350 +/- 3 ohms
Hysteresis	+/- 0.03% FS	Insulation Resistance	5000 Megohms
Repeatability	+/- 0.01% FS	Excitation Voltage	10V AC/DC (20V Max)
Creep (30 minutes)	+/- 0.02% FS	Compensated Temperature Range	-10°C - +40°C
Zero Balance	+/- 1.00% FS	Operating Temperature Range	-20°C - +60°C
Temperature Effect on Zero	+/- 0.0027% of rated output/°C	Safe Overload	150% FS
Temperature Effect on Output	+/- 0.0015% of applied load/°C	Cable Length	20' Standard Cable
Cable Color Code		Seal Type	Environmentally-Sealed, IP67
Input	Output		
Green +Excitation	Red +Signal		
Black -Excitation	White -Signal		

# CG-TB2

▶ SINGLE-ENDED BEAM

▶ STAINLESS STEEL

Coti Global Sensors • 5699 Highway 53 Harvest, Alabama 35749 • Toll Free: 1-866-762-COTI(2684) • Fax: 256-852-9903 • www.cotiglobal.com

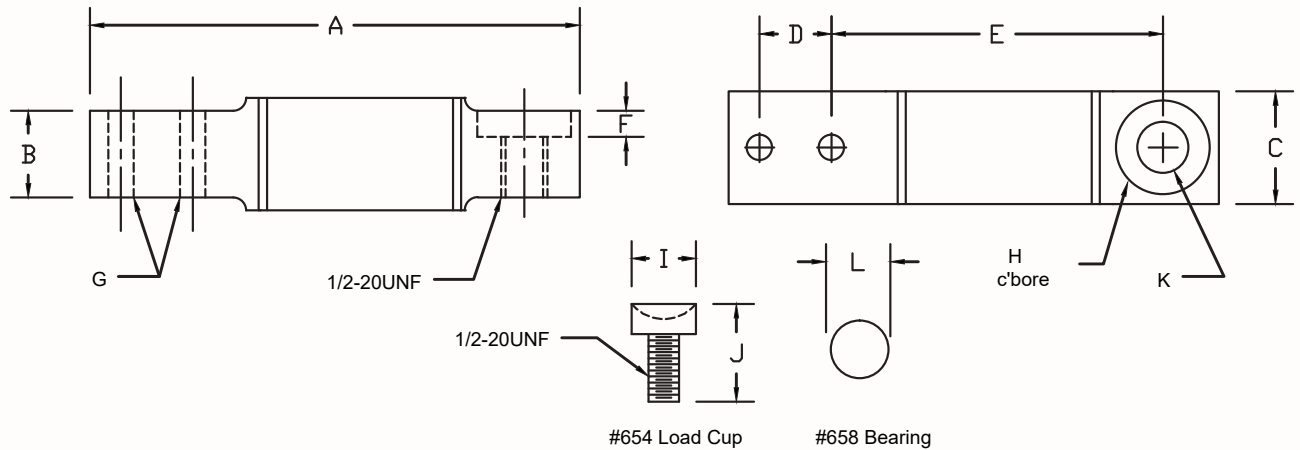


CG-TB2 ORDER INFORMATION	DISCOUNT C	SUGGESTED LIST PRICE
100 lb		\$ 628.90
200 lb		\$ 628.90
500 lb		\$ 628.90
1K		\$ 628.90
2K		\$ 628.90

ACCESSORIES	DISCOUNT G	SUGGESTED LIST PRICE
Stock # 654 Bearing Cup		\$ 57.75
Stock # 658 3/4" Bearing		\$ 11.55

INTERCHANGEABLE PRODUCTS	
Rice Lake.....	RL32155
Toledo.....	1110 Series, 1178 Series, 11785600A, 11785700A
Toledo.....	11786900A, 11788500A, 12744300B, 2095 Platform
Toledo.....	2155 Base, 2855 Base

Main Dimensions and Accessories



RATED CAPACITY	DIMENSIONS											
	A	B	C	D	E	F	G	H	I	J	K	L
100-200LB	5.37	1.38	1.75	1.00	3.63	-	0.53	-	-	-	0.19	-
500LB-2K	6.12	1.38	1.75	1.00	4.00	0.69	0.53	1.09	-	-	0.50	-
Load Cup #654	-	-	-	-	-	-	-	-	1.06	1.62	-	-
Load Bearing #658	-	-	-	-	-	-	-	-	-	-	-	0.81

## ▶ SPECIFICATIONS ◀

Rated Output (mV/V)	2.00	Input Impedance	480 +/- 10 ohms
Nonlinearity	+/- 0.03% FS	Output Impedance	440 +/- 3 ohms
Hysteresis	+/- 0.03% FS	Insulation Resistance	5000 Megohms
Repeatability	+/- 0.01% FS	Excitation Voltage	10V AC/DC (20V Max)
Creep (30 minutes)	+/- 0.02% FS	Compensated Temperature Range	-10°C - +40°C
Zero Balance	+/- 1.00% FS	Operating Temperature Range	-20°C - +60°C
Temperature Effect on Zero	+/- 0.0027% of rated output/°C	Safe Overload	150% FS
Temperature Effect on Output	+/- 0.0015% of applied load/°C	Cable Length	30' 6 Conductor Cable
Cable Color Code		Seal Type	Environmentally-Sealed, IP67
Input	Output	Sense Leads	
White +Excitation	Green +Signal	Yellow +Sense	
Blue -Excitation	Black -Signal	Red -Sense	

# CG-WB-SS

▶ SINGLE-ENDED BEAM

▶ STAINLESS STEEL

NTEP 1:10,000 Class III. Multiple Cell

Coti Global Sensors • 5699 Highway 53 Harvest, Alabama 35749 • Toll Free: 1-866-762-COTI(2684) • Fax: 256-852-9903 • www.cotiglobal.com



## CG-WB-SS ORDER INFORMATION

	DISCOUNT C	SUGGESTED LIST PRICE
*CG-WB-SS 1.25K		\$ 571.73
CG-WB-SS 2.5K		\$ 571.73
CG-WB-SS 5K		\$ 647.96
CG-WB-SS 10K		\$ 698.78
CG-WB-SS 25K, 37.5K		\$1102.50
CG-WB-SS-27173 50K		\$1187.92
CG-WB-SS-50104 50K		\$1206.98
CG-WB-SS-50935 WBT 60K		\$1206.98
CG-WB-SS-55829 EZ Post 60K		\$1226.03
*CG-WB-SS-WBT 75K		\$2100.00
*CG-WB-SS EZ Post 75K		\$1501.50
*NON-NTEP		

## INTERCHANGEABLE PRODUCTS

Rice Lake Weighing Systems.....	RL75000 SS
Rice Lake Weighing Systems.....	RL32011WB-L
Weigh-Tronix.....	13498-0127 5K, 17257-0129 5K
Weigh-Tronix.....	13851-0078 10K
Weigh-Tronix.....	WBT Series Chainlink Style
Weigh-Tronix.....	Weighbar

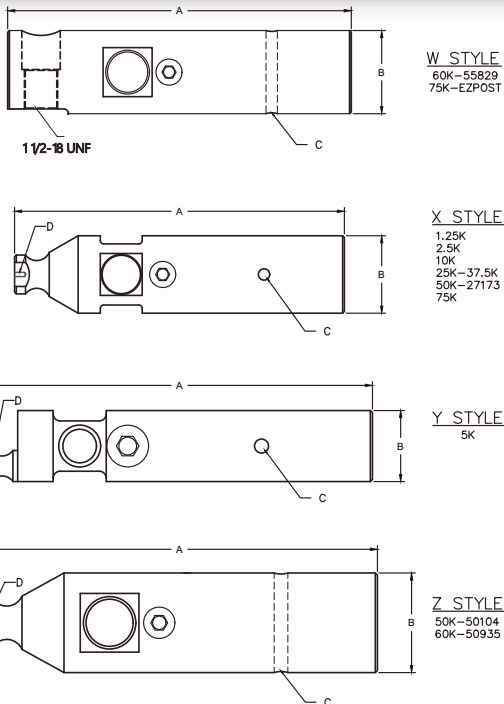
## ACCESSORIES

	DISCOUNT E	SUGGESTED LIST PRICE
671 Threaded Support Cap for CG-WB-SS 60K-55829 /75K EZ		\$ 78.83
672 Support Post for CG-WBM-W		\$103.09
673 Locking Plate for CG-WBM-W		\$ 32.75
674 Anti-Rotation Pin for CG-WBM Mount Series		\$ 24.26
675 Load Pin for CG-WBM-X		\$169.79
675A Load Pin for CG-WBM-Z		\$175.85
676 Checking Plate for CG-WBM-W		\$ 42.45
677 Load pin retainer clip for CG-WBM-X & CG-WBM-Z		\$ 30.32
678 Link for CG-WBM-X and CG-WBM-Z		\$169.79

## WEIGH MODULE AVAILABLE

Coti Global Sensors	WBM-W see page 154
Coti Global Sensors	WBM-X see page 155
Coti Global Sensors	WBM-X-27173 see page 155
Coti Global Sensors	WBM-Z see page 156

Main Dimensions and Accessories



RATED CAPACITY	DIMENSIONS				
	STYLE	A	B	C	D
1.25K	X	11.50	1.25	0.31	6-32 UNF
2.5K	X	11.50	1.62	0.38	6-32 UNF
5K	Y	10.88	2.00	0.38	8-32 UNF
10K	X	12.62	2.50	0.38	1/4-20 UNF
25K-37.5K	X	14.88	3.50	0.50	5/16-18 UNF
50K-27173	X	14.88	3.50	0.50	5/16-18 UNF
50K-50104	Z	14.88	3.75	0.50	5/16-18 UNF
60K-50935	Z	14.88	3.75	0.50	5/16-18 UNF
60K-55829	W	15.39	3.75	0.50	-
75K-EZPOST	W	15.50	3.75	0.50	-
75K	X	18.88	5.00	0.50	5/16-18 UNF

## SPECIFICATIONS

Rated Output (mV/V)	2.00 (3.00 mV/V 37.5K, 50K, 60K, 75K)		Input Impedance	385 +/- 10 ohms
Nonlinearity	+/- 0.03% FS		Output Impedance	350 +/- 3 ohms
Hysteresis	+/- 0.02% FS		Insulation Resistance	5000 Megohms
Repeatability	+/- 0.01% FS		Excitation Voltage	10V AC/DC (20V Max)
Creep (30 minutes)	+/- 0.02% FS		Compensated Temperature Range	-10°C - +40°C
Zero Balance	+/- 1.00% FS		Operating Temperature Range	-20°C - +60°C
Temperature Effect on Zero	+/- 0.0027% of rated output/°C		Safe Overload	150% FS, 75K EZ 130%
Temperature Effect on Output	+/- 0.0015% of applied load/°C		Cable Length - 1.25K - 10K	20' Standard Cable
Cable Color Code	Input	Output	Cable Length - 25K - 75K	50' Braided Shield Cable
	Green +Excitation	White +Signal	Seal Type	Environmentally-Sealed, IP67
	Black -Excitation	Red -Signal		

# CG-WBL-SS

▶ SINGLE-ENDED BEAM

▶ STAINLESS STEEL

Potted-Seal, IP67

NTEP 1:10,000 Class III Multiple Cell

Coti Global Sensors • 5699 Highway 53 Harvest, Alabama 35749 • Toll Free: 1-866-762-COTI(2684) • Fax: 256-852-9903 • www.cotiglobal.com



## CG-WBL-SS ORDER INFORMATION

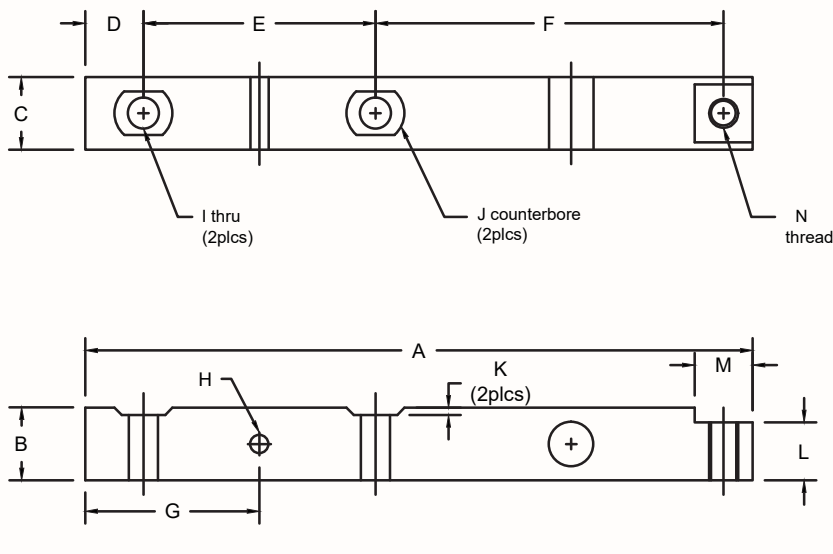
	DISCOUNT C	SUGGESTED LIST PRICE
*CG-WBL-SS 1.25K		\$ 519.75
CG-WBL-SS 2.5K		\$ 519.75

\*NON-NTEP

## INTERCHANGEABLE PRODUCTS

Rice Lake Weighing Systems.....	RL32011WB-T
Weigh-Tronix 1.25K.....	41035-1027
1.25K.....	41035-0029
2.5K.....	41036-1057

Main Dimensions and Accessories



RATED CAPACITY	DIMENSIONS													
	A	B	C	D	E	F	G	H	I	J	K	L	M	N
1.25K	11.50	1.25	1.25	1.00	4.00	6.00	3.00	0.31	0.53	1.03	0.12	1.00	1.00	1/2-13UNC
2.5K	11.50	1.62	1.62	1.03	4.00	6.00	3.03	0.38	0.66	1.25	0.12	1.18	1.50	5/8-11UNC

## SPECIFICATIONS

Rated Output (mV/V)	2.00	Input Impedance	385 +/- 10 ohms
Nonlinearity	+/- 0.03% FS	Output Impedance	350 +/- 3 ohms
Hysteresis	+/- 0.02% FS	Insulation Resistance	5000 Megohms
Repeatability	+/- 0.01% FS	Excitation Voltage	10V AC/DC (20V Max)
Creep (30 minutes)	+/- 0.02% FS	Compensated Temperature Range	-10°C - +40°C
Zero Balance	+/- 1.00% FS	Operating Temperature Range	-20°C - +60°C
Temperature Effect on Zero	+/- 0.0027% of rated output/°C	Safe Overload	150% FS
Temperature Effect on Output	+/- 0.0015% of applied load/°C	Cable Length	20' Standard Cable
Cable Color Code	Input	Output	Seal Type
	Green +Excitation	White +Signal	Environmentally-Sealed, IP67
	Black -Excitation	Red -Signal	

# CG-BLC-C

COUNTER BORE,  
SINGLE-ENDED BEAM

STAINLESS STEEL

Coti Global Sensors • 5699 Highway 53 Harvest, Alabama 35749 • Toll Free: 1-866-762-COTI(2684) • Fax: 256-852-9903 • www.cotiglobal.com



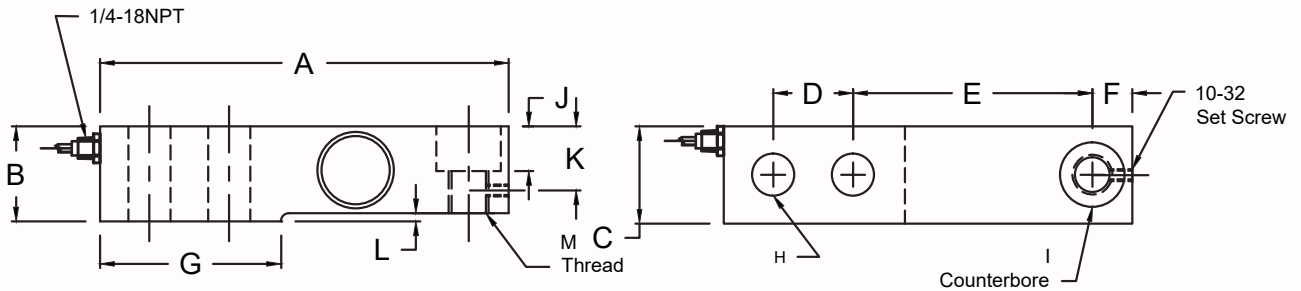
## CG-BLC-C ORDER INFORMATION

With Counter Bore	DISCOUNT C	SUGGESTED LIST PRICE
CG-BLC-C 1K		\$ 346.50
CG-BLC-C 2.5K		\$ 346.50
CG-BLC-C 4K		\$ 346.50
CG-BLC-C 5K		\$ 462.00
CG-BLC-C 10K		\$ 548.63

## INTERCHANGEABLE PRODUCTS

Artech.....	SS30510
HBM.....	BLC
Rice Lake Weighing Systems.....	RLBLC
Toledo.....	13552100A

Main Dimensions and Accessories



RATED CAPACITY	DIMENSIONS												
	A	B	C	D	E	F	G	H	I	J	K	L	M
1K-4K	5.12	1.19	1.21	1.00	3.00	0.60	2.27	0.52	0.81	0.56	0.80	0.062	1/2-20UNF
5K	6.75	1.44	1.45	1.50	3.75	0.75	3.00	0.78	1.19	0.79	1.00	0.090	3/4-16UNF
10K	6.75	1.69	1.69	1.50	3.75	0.75	3.00	0.78	1.19	0.79	1.30	0.090	3/4-16UNF

## SPECIFICATIONS

Rated Output (mV/V)	3.00	Input Impedance	1080 +/- 10 ohms
Nonlinearity	+/- 0.03% FS	Output Impedance	1000 +/- 5 ohms
Hysteresis	+/- 0.03% FS	Insulation Resistance	5000 Megohms
Repeatability	+/- 0.01% FS	Excitation Voltage	10V AC/DC (20V Max)
Creep (30 minutes)	+/- 0.02% FS	Compensated Temperature Range	-10°C - +40°C
Zero Balance	+/- 1.00% FS	Operating Temperature Range	-20°C - +60°C
Temperature Effect on Zero	+/- 0.0027% of rated output/°C	Safe Overload	150% FS
Temperature Effect on Output	+/- 0.0015% of applied load/°C	Cable Length	20' Standard Cable
Cable Color Code	Input Green +Excitation Black -Excitation	Output White +Signal Red -Signal	Seal Type Welded-Seal, IP67

# CG-BLC-T

▶ **THREADED, SINGLE-ENDED BEAM**

▶ **STAINLESS STEEL**

Coti Global Sensors • 5699 Highway 53 Harvest, Alabama 35749 • Toll Free: 1-866-762-COTI(2684) • Fax: 256-852-9903 • www.cotiglobal.com



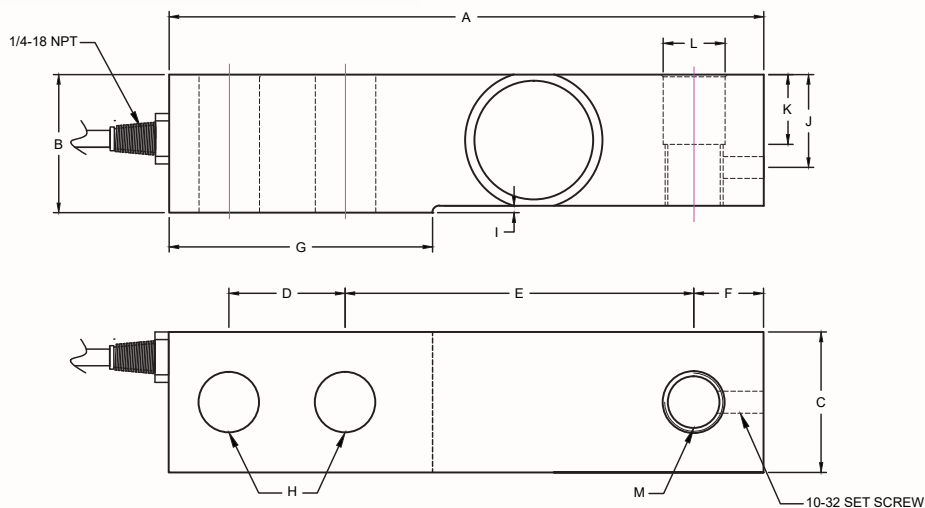
## CG-BLC-T ORDER INFORMATION

	DISCOUNT C	SUGGESTED LIST PRICE
Without Counter Bore - Threaded		
CG-BLC-T	1K	\$ 346.50
CG-BLC-T	2.5K	\$ 346.50
CG-BLC-T	4K	\$ 346.50
CG-BLC-T	5K	\$ 462.00
CG-BLC-T	10K	\$ 548.63

## INTERCHANGEABLE PRODUCTS

HBM.....	BLC
Rice Lake Weighing Systems.....	RLBLC
Toledo .....	084759-020

Main Dimensions and Accessories



RATED CAPACITY	DIMENSIONS												
	A	B	C	D	E	F	G	H	I	J	K	L	M
1K-4K	5.12	1.19	1.21	1.00	3.00	0.60	2.27	0.52	0.065	0.80	0.60	0.53	1/2-20UNF
5K	6.75	1.44	1.45	1.50	3.75	0.75	3.00	0.78	0.090	1.00	0.67	0.78	3/4-18UNF
10K	6.75	1.69	1.69	1.50	3.75	0.75	3.00	0.78	0.090	1.30	0.80	0.78	3/4-18UNF

## SPECIFICATIONS

Rated Output (mV/V)	3.00	Input Impedance	1080 +/- 10 ohms
Nonlinearity	+/- 0.03% FS	Output Impedance	1000 +/- 5 ohms
Hysteresis	+/- 0.03% FS	Insulation Resistance	5000 Megohms
Repeatability	+/- 0.01% FS	Excitation Voltage	10V AC/DC (20V Max)
Creep (30 minutes)	+/- 0.02% FS	Compensated Temperature Range	-10°C - +40°C
Zero Balance	+/- 1.00% FS	Operating Temperature Range	-20°C - +60°C
Temperature Effect on Zero	+/- 0.0027% of rated output/°C	Safe Overload	150% FS
Temperature Effect on Output	+/- 0.0015% of applied load/°C	Cable Length	20' Standard Cable
Cable Color Code	Input	Output	Seal Type
	Green +Excitation	White +Signal	Welded-Seal, IP67
	Black -Excitation	Red -Signal	



# CG-SB4

▶ SINGLE-ENDED BEAM

▶ STAINLESS STEEL  
Welded-Seal

Coti Global Sensors • 5699 Highway 53 Harvest, Alabama 35749 • Toll Free: 1-866-762-COTI(2684) • Fax: 256-852-9903 • www.cotiglobal.com



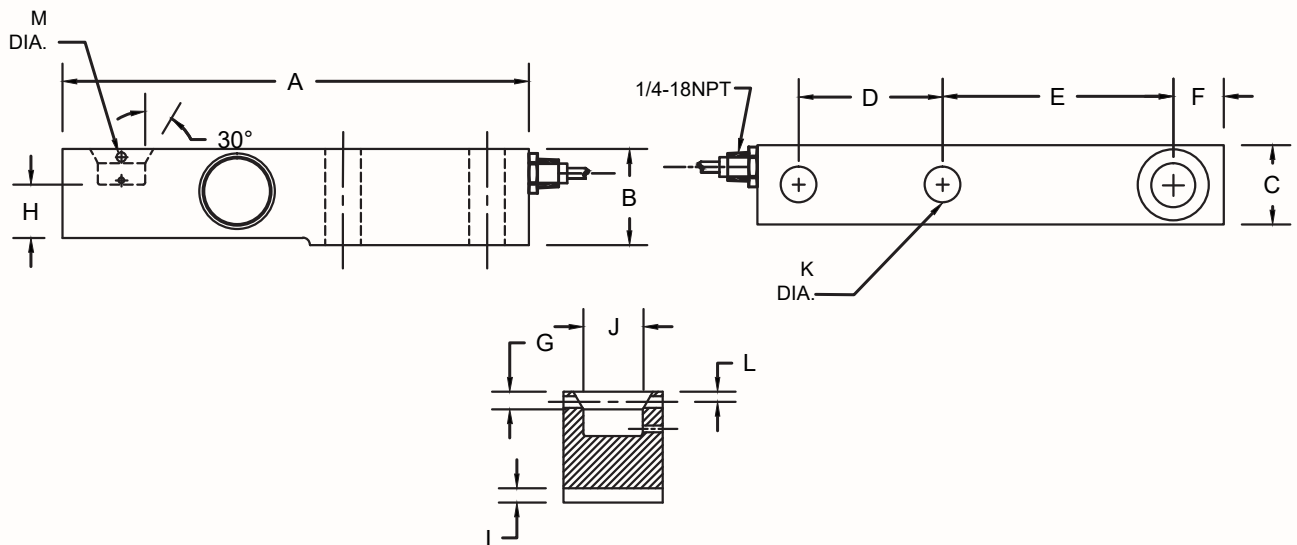
## CG-SB4 ORDER INFORMATION

	DISCOUNT C	SUGGESTED LIST PRICE
5KN, 10KN, 23KN		\$ 687.23
50KN		\$ 750.75

## INTERCHANGEABLE PRODUCTS

Flintec.....	SB4
--------------	-----

Main Dimensions and Accessories



RATED CAPACITY	DIMENSIONS												
	A	B	C	D	E	F	G	H	I	J	K	L	M
5KN, 10KN, 23KN	6.10	1.41	1.18	1.37	3.14	0.59	0.27	0.82	0.23	0.70	0.51	0.15	0.15
50KN	7.50	1.93	1.69	1.57	4.13	0.82	0.23	1.12	0.31	0.98	0.82	0.31	0.15

## SPECIFICATIONS

Rated Output (mV/V)	2.00	Input Impedance	1100 +/- 10 ohms
Nonlinearity	+/- 0.03% FS	Output Impedance	1000 +/- 5 ohms
Hysteresis	+/- 0.03% FS	Insulation Resistance	5000 Megohms
Repeatability	+/- 0.01% FS	Excitation Voltage	10V AC/DC (20V Max)
Creep (30 minutes)	+/- 0.02% FS	Compensated Temperature Range	-10°C - +40°C
Zero Balance	+/- 1.00% FS	Operating Temperature Range	-20°C - +60°C
Temperature Effect on Zero	+/- 0.0027% of rated output/°C	Safe Overload	150% FS
Temperature Effect on Output	+/- 0.0015% of applied load/°C	Cable Length	20' Standard Cable
Cable Color Code	Input	Output	Seal Type
	Green +Excitation	White +Signal	Welded-Seal, IP67
	Black -Excitation	Red -Signal	



# CG-BLF

▶ SINGLE-ENDED BEAM

▶ ALLOY STEEL

Coti Global Sensors • 5699 Highway 53 Harvest, Alabama 35749 • Toll Free: 1-866-762-COTI(2684) • Fax: 256-852-9903 • www.cotiglobal.com



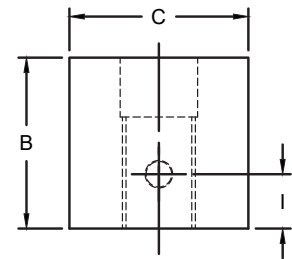
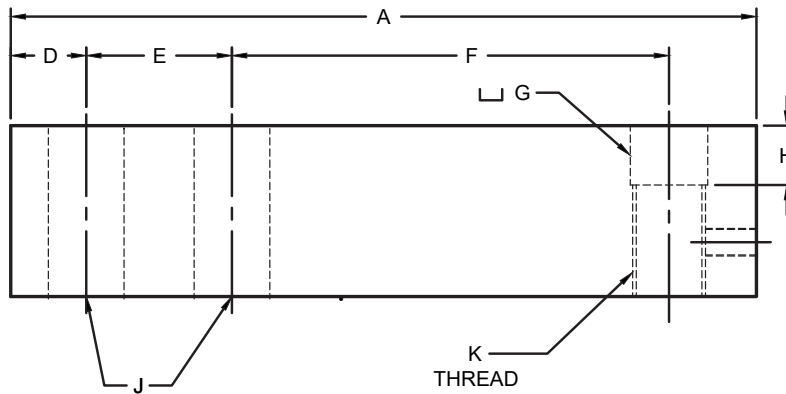
### CG-BLF ORDER INFORMATION

	DISCOUNT C	SUGGESTED LIST PRICE
1.5K		\$606.38
2.5K		\$606.38
5K		\$721.88

### INTERCHANGEABLE PRODUCTS

Fairbanks .....	3-53581-X
Fairbanks .....	3-52921-1
HBM.....	BLF
Rice Lake.....	RLBLF

Main Dimensions and Accessories



RATED CAPACITY	DIMENSIONS										
	A	B	C	D	E	F	G	H	I	J	K
1.5K-2.5K	9.00	1.13	1.25	0.62	1.75	6.00	0.69	0.50	0.25	0.53	5/8-18UNF
5K	10.00	1.44	1.50	0.75	2.00	6.25	0.94	0.50	0.50	0.78	7/8-14UNF

### ▶ SPECIFICATIONS ◀

Rated Output (mV/V)	2.00 +/- 0.1%	Input Impedance	1080 +/- 10 ohms
Nonlinearity	+/- 0.03% FS	Output Impedance	1000 +/- 5 ohms
Hysteresis	+/- 0.03% FS	Insulation Resistance	5000 Megohms
Repeatability	+/- 0.01% FS	Excitation Voltage	10V AC/DC (20V Max)
Creep (30 minutes)	+/- 0.02% FS	Compensated Temperature Range	-10°C - +40°C
Zero Balance	+/- 1.00% FS	Operating Temperature Range	-20°C - +60°C
Temperature Effect on Zero	+/- 0.0027% of rated output/°C	Safe Overload	150% FS
Temperature Effect on Output	+/- 0.0015% of applied load/°C	Cable Length	30' Standard Cable
Cable Color Code	Input	Output	Seal Type
	Green +Excitation	White +Signal	Environmentally-Sealed, IP67
	Black -Excitation	Red -Signal	

# **DOUBLE-ENDED BEAMS**

# CG-STR

▶ **DOUBLE-ENDED BEAM**

▶ **ALLOY STEEL**

NTEP 1:10,000 Class III Multiple Cell

Coti Global Sensors • 5699 Highway 53 Harvest, Alabama 35749 • Toll Free: 1-866-762-COTI(2684) • Fax: 256-852-9903 • www.cotiglobal.com



### CG-STR ORDER INFORMATION

	DISCOUNT C	SUGGESTED LIST PRICE
40K		\$1039.50
50K		\$1039.50
* Load Buttons Included		

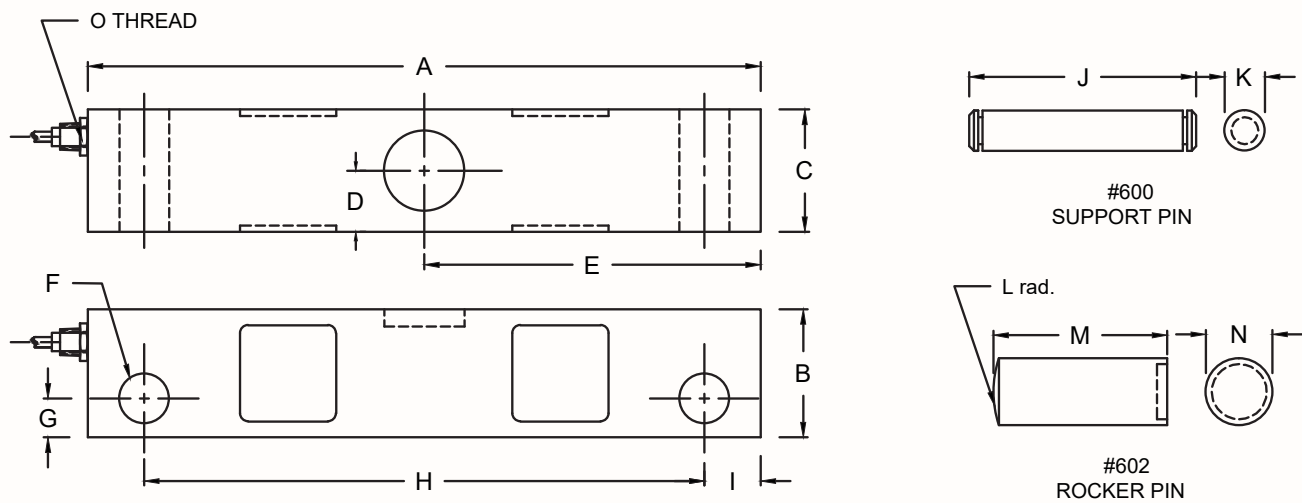
### ACCESSORIES

	DISCOUNT G	SUGGESTED LIST PRICE
600		Cell Support Pin \$ 17.33
601		Retaining Ring for Support Pin \$ .58
602		Rocker Pin \$ 43.31
603		Load Button \$ 17.33
604		Load Button (Old Style) w/ Guide Pin \$ 17.33
605		Upper Button Insert \$ 13.86

### INTERCHANGEABLE PRODUCTS

Epelsa.....	STR
First Weigh.....	LC32

Main Dimensions and Accessories



RATED CAPACITY	DIMENSIONS														
	A	B	C	D	E	F	G	H	I	J	K	L	M	N	O
40K-50K	10.50	2.00	1.91	0.95	5.25	0.78	0.61	8.75	0.88	-	-	-	-	-	1/2-14 NPT
#600 Support Pin	-	-	-	-	-	-	-	-	-	4.25	0.75	-	-	-	-
#602 Rocker Pin	-	-	-	-	-	-	-	-	-	-	-	12.00	3.25	1.25	-

## SPECIFICATIONS

Rated Output (mV/V)	3.00	Input Impedance	700 +/- 10 ohms	
Nonlinearity	+/- 0.03% FS	Output Impedance	700 +/- 5 ohms	
Hysteresis	+/- 0.02% FS	Insulation Resistance	5000 Megohms	
Repeatability	+/- 0.01% FS	Excitation Voltage	10V AC/DC (20V Max)	
Creep (30 minutes)	+/- 0.02% FS	Compensated Temperature Range	-10°C - +40°C	
Zero Balance	+/- 1.00% FS	Operating Temperature Range	-20°C - +60°C	
Temperature Effect on Zero	+/- 0.0027% of rated output/°C	Safe Overload	150% FS	
Temperature Effect on Output	+/- 0.0015% of applied load/°C	Cable Length	60' Braided Shield Cable	
Cable Color Code	Input Green +Excitation Black -Excitation	Output White +Signal Red -Signal	Seal Type	Environmentally-Sealed, IP67

# CG-STR1

▶ **DOUBLE-ENDED BEAM**

▶ **ALLOY STEEL**

NTEP 1:10,000 Class III Multiple Cell

Coti Global Sensors • 5699 Highway 53 Harvest, Alabama 35749 • Toll Free: 1-866-762-COTI(2684) • Fax: 256-852-9903 • www.cotiglobal.com



### CG-STR1 ORDER INFORMATION

	DISCOUNT C	SUGGESTED LIST PRICE
40K		\$1039.50
50K		\$1039.50
* Load Buttons Included		

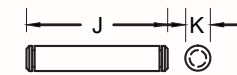
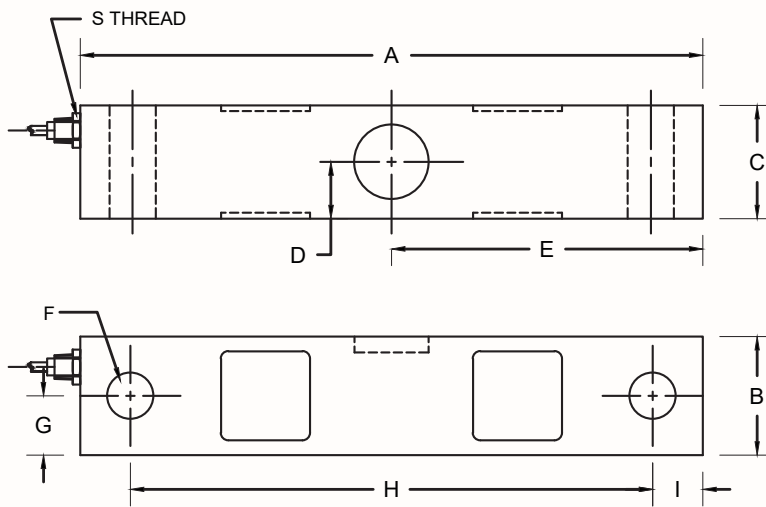
### ACCESSORIES

	DISCOUNT G	SUGGESTED LIST PRICE
600 Cell Support Pin		\$ 17.33
601 Retaining Ring for Support Pin		\$ .58
606 Load Button		\$ 40.43
607 Rocker Pin		\$ 57.75

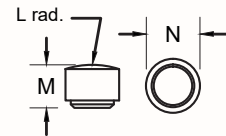
### INTERCHANGEABLE PRODUCTS

Fairbanks .....	91088-50K
Fairbanks .....	90814-40K
Sensortronics.....	65061A

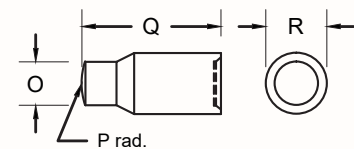
Main Dimensions and Accessories



600 SUPPORT PIN



606 LOAD BUTTON



607 ROCKER PIN

RATED CAPACITY	DIMENSIONS																			
	A	B	C	D	E	F	G	H	I	J	K	L	M	N	O	P	Q	R	S	
40K-50K	10.50	2.44	1.94	0.97	5.25	0.78	1.22	8.75	0.88	-	-	-	-	-	-	-	-	-	-	1/2-14 NPT
#600 Support Pin	-	-	-	-	-	-	-	-	-	4.25	0.75	-	-	-	-	-	-	-	-	-
#606 Load Button	-	-	-	-	-	-	-	-	-	-	-	8.00	1.00	1.25	-	-	-	-	-	-
#607 Rocker Pin	-	-	-	-	-	-	-	-	-	-	-	-	-	-	1.25	8.00	4.00	1.75	-	-

### ▶ SPECIFICATIONS ◀

Rated Output (mV/V)	3.00	Input Impedance	700 +/- 10 ohms
Nonlinearity	+/- 0.03% FS	Output Impedance	700 +/- 5 ohms
Hysteresis	+/- 0.02% FS	Insulation Resistance	5000 Megohms
Repeatability	+/- 0.01% FS	Excitation Voltage	10V AC/DC (20V Max)
Creep (30 minutes)	+/- 0.02% FS	Compensated Temperature Range	-10°C - +40°C
Zero Balance	+/- 1.00% FS	Operating Temperature Range	-20°C - +60°C
Temperature Effect on Zero	+/- 0.0027% of rated output/°C	Safe Overload	150% FS
Temperature Effect on Output	+/- 0.0015% of applied load/°C	Cable Length	60' Braided Shield Cable
Cable Color Code	Input Green +Excitation Black -Excitation	Output White +Signal Red -Signal	Seal Type Environmentally-Sealed, IP67

# CG-STR1-SSW

▶ **DOUBLE-ENDED BEAM**

▶ **STAINLESS STEEL**  
Welded-Seal

Coti Global Sensors • 5699 Highway 53 Harvest, Alabama 35749 • Toll Free: 1-866-762-COTI(2684) • Fax: 256-852-9903 • www.cotiglobal.com



**CG-STR1 SSW ORDER INFORMATION**    DISCOUNT C    SUGGESTED LIST PRICE

50K ..... \$1386.00  
\* Load Button Included

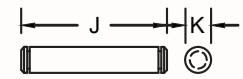
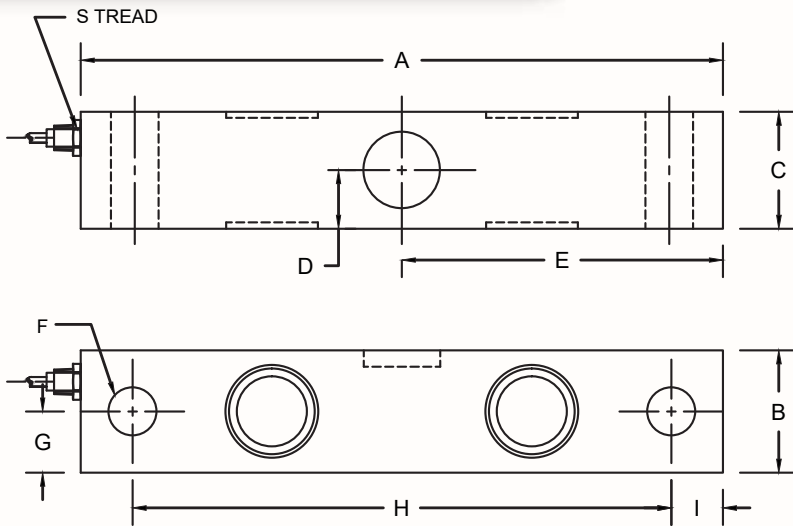
**ACCESSORIES**    DISCOUNT G    SUGGESTED LIST PRICE

600    Cell Support Pin    \$ 17.33  
601    Retaining Ring for Support Pin    \$ .58  
606    Load Button    \$ 40.43  
607    Rocker Pin    \$ 57.75

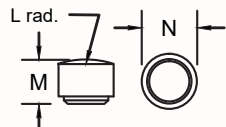
**INTERCHANGEABLE PRODUCTS**

Fairbanks ..... 91088-50K  
Fairbanks ..... Rodan  
Sensortronics..... 65061A

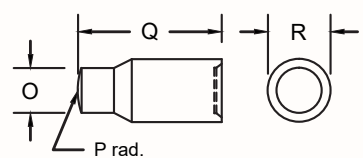
Main Dimensions and Accessories



600 SUPPORT PIN



606 LOAD BUTTON



607 ROCKER PIN

RATED CAPACITY	DIMENSIONS																		
	A	B	C	D	E	F	G	H	I	J	K	L	M	N	O	P	Q	R	S
50K	10.50	2.44	1.94	0.97	5.25	0.78	1.22	8.75	0.88	-	-	-	-	-	-	-	-	-	1/2-14 NPT
#600 Support Pin	-	-	-	-	-	-	-	-	-	4.25	0.75	-	-	-	-	-	-	-	-
#606 Load Button	-	-	-	-	-	-	-	-	-	-	-	8.00	1.00	1.25	-	-	-	-	-
#607 Rocker Pin	-	-	-	-	-	-	-	-	-	-	-	-	-	-	1.25	8.00	4.00	1.75	-

▶ **SPECIFICATIONS** ◀

Rated Output (mV/V)	3.00	Input Impedance	700 +/- 10 ohms
Nonlinearity	+/- 0.03% FS	Output Impedance	700 +/- 5 ohms
Hysteresis	+/- 0.02% FS	Insulation Resistance	5000 Megohms
Repeatability	+/- 0.01% FS	Excitation Voltage	10V AC/DC (20V Max)
Creep (30 minutes)	+/- 0.02% FS	Compensated Temperature Range	-10°C - +40°C
Zero Balance	+/- 1.00% FS	Operating Temperature Range	-20°C - +60°C
Temperature Effect on Zero	+/- 0.0027% of rated output/°C	Safe Overload	150% FS
Temperature Effect on Output	+/- 0.0015% of applied load/°C	Cable Length	60' Braided Shield Cable
Cable Color Code	Input                      Output	Seal Type	Welded-Seal, IP67
	Green +Excitation      White +Signal		
	Black -Excitation      Red -Signal		

# CG-5103

▶ **DOUBLE-ENDED  
SHEAR BEAM**

▶ **ALLOY STEEL**  
NTEP 1:10,000 Class III Multiple Cell

Coti Global Sensors • 5699 Highway 53 Harvest, Alabama 35749 • Toll Free: 1-866-762-COTI(2684) • Fax: 256-852-9903 • www.cotiglobal.com



## CG-5103 ORDER INFORMATION DISCOUNT C SUGGESTED LIST PRICE

5K, 10K, 20K	\$ 682.50
30K, 40K, 50K, 60K	\$ 787.50
100K	\$1522.50
150K	\$1522.50
200K, 250K	\$2887.50

## INTERCHANGEABLE PRODUCTS

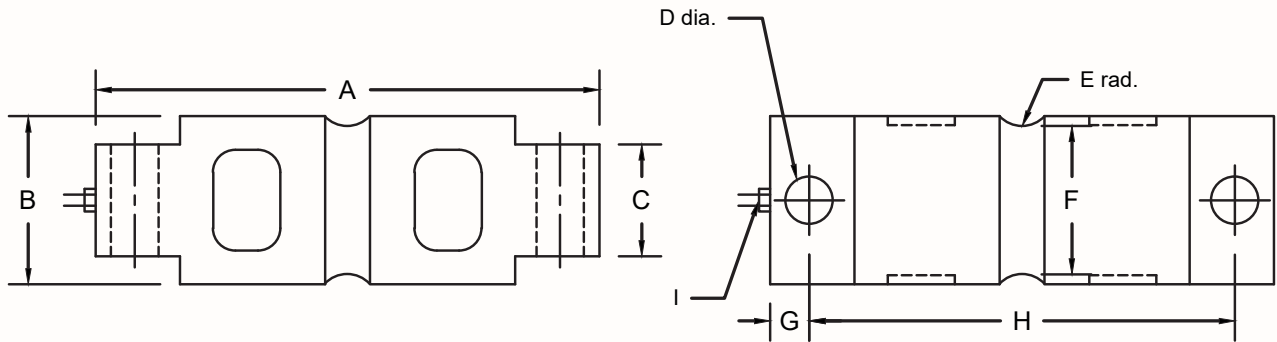
Artech.....	70210
Celtron.....	CSB
Mettler Toledo.....	SLD-430
Revere Transducers.....	5103
Rice Lake Weighing Systems.....	RL70000
Sensortronics.....	60058
Totalcomp.....	GDE03
Totalcomp.....	TDE03
Zemic.....	H9C

## WEIGH MODULES

Coti Global Sensors

CG03M-MS see page 145

Main Dimensions and Accessories



RATED CAPACITY	DIMENSIONS								
	A	B	C	D	E	F	G	H	I
5K-10K	8.12	1.70	1.12	0.66	0.50	1.48	0.62	6.88	1/4-18 NPT
20K	8.12	1.95	1.12	0.66	0.50	1.48	0.62	6.88	1/4-18 NPT
30K-60K	10.25	3.00	2.37	1.06	1.00	2.73	0.88	8.50	1/2-14 NPT
100K	11.25	3.50	2.50	1.06	1.50	3.24	0.88	9.50	1/2-14 NPT
150K	11.25	3.90	2.80	1.06	1.50	3.64	0.88	9.50	1/2-14 NPT
200K-250K	16.10	5.38	4.60	1.56	2.00	5.17	1.55	13.00	1/2-14 NPT

## ▶ SPECIFICATIONS ◀

Rated Output (mV/V)	3.00	Input Impedance	700 +/- 10 ohms
Nonlinearity	+/- 0.03% FS	Output Impedance	700 +/- 5 ohms
Hysteresis	+/- 0.02% FS	Insulation Resistance	5000 Megohms
Repeatability	+/- 0.01% FS	Excitation Voltage	10V AC/DC (20V Max)
Creep (30 minutes)	+/- 0.02% FS	Compensated Temperature Range	-10°C - +40°C
Zero Balance	+/- 1.00% FS	Operating Temperature Range	-20°C - +60°C
Temperature Effect on Zero	+/- 0.0027% of rated output/°C	Safe Overload	150% FS
Temperature Effect on Output	+/- 0.0015% of applied load/°C	Cable Length	50' Braided Shield Cable
Cable Color Code	Input	Output	Seal Type
	Green +Excitation	White +Signal	Environmentally-Sealed, IP67
	Black -Excitation	Red -Signal	

# CG-5103-SSW

**DOUBLE-ENDED  
SHEAR BEAM**

**STAINLESS STEEL**  
Hermetically Sealed

Coti Global Sensors • 5699 Highway 53 Harvest, Alabama 35749 • Toll Free: 1-866-762-COTI(2684) • Fax: 256-852-9903 • www.cotiglobal.com



CG-5103 SSW ORDER INFORMATION	DISCOUNT C	SUGGESTED LIST PRICE
10K, 20K		\$ 866.25
30K, 40K, 50K, 60K		\$ 952.88

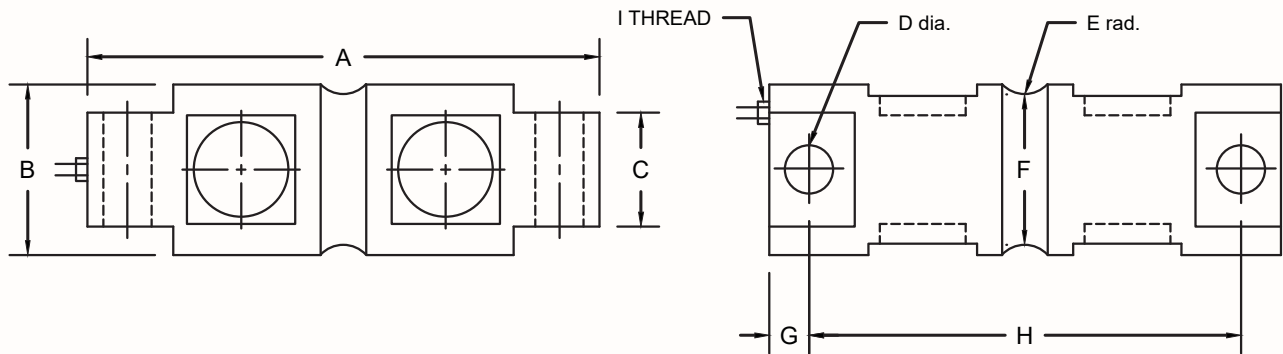
### INTERCHANGEABLE PRODUCTS

Artech.....	SS70210
Cardinal.....	CLDBR
Mettler Toledo.....	SLD-530
Revere Transducers.....	9103
Rice Lake Weighing Systems.....	RL7000SS
Rice Lake Weighing Systems.....	RL71000 HE
Rice Lake Weighing Systems.....	RL72010MH
Rice Lake Weighing Systems.....	RL72015HE

### WEIGH MODULES

Coti Global Sensors	CG03M-SM see page 146
Coti Global Sensors	CG03M-SSW see page 147

Main Dimensions and Accessories



RATED CAPACITY	DIMENSIONS								
	A	B	C	D	E	F	G	H	I
10K	8.12	1.70	1.12	0.66	0.50	1.48	0.62	6.88	1/4-18 NPT
20K	8.12	1.95	1.12	0.66	0.50	1.48	0.62	6.88	1/4-18 NPT
30K-60K	10.25	3.00	2.37	1.06	1.00	2.73	0.88	8.50	1/2-14 NPT

## SPECIFICATIONS

Rated Output (mV/V)	3.00	Input Impedance	700 +/- 10 ohms
Nonlinearity	+/- 0.03% FS	Output Impedance	700 +/- 5 ohms
Hysteresis	+/- 0.02% FS	Insulation Resistance	5000 Megohms
Repeatability	+/- 0.01% FS	Excitation Voltage	10V AC/DC (20V Max)
Creep (30 minutes)	+/- 0.02% FS	Compensated Temperature Range	-10°C - +40°C
Zero Balance	+/- 1.00% FS	Operating Temperature Range	-20°C - +60°C
Temperature Effect on Zero	+/- 0.0027% of rated output/°C	Safe Overload	150% FS
Temperature Effect on Output	+/- 0.0015% of applied load/°C	Cable Length	50' Braided Shield Cable
Cable Color Code	Input	Output	Seal Type
	Green +Excitation	White +Signal	Hermetically Sealed
	Black -Excitation	Red -Signal	



# CG-5223

▶ **DOUBLE-ENDED BEAM**

▶ **ALLOY STEEL**

NTEP 1:10,000 Class III Multiple Cell

Coti Global Sensors • 5699 Highway 53 Harvest, Alabama 35749 • Toll Free: 1-866-762-COTI(2684) • Fax: 256-852-9903 • www.cotiglobal.com



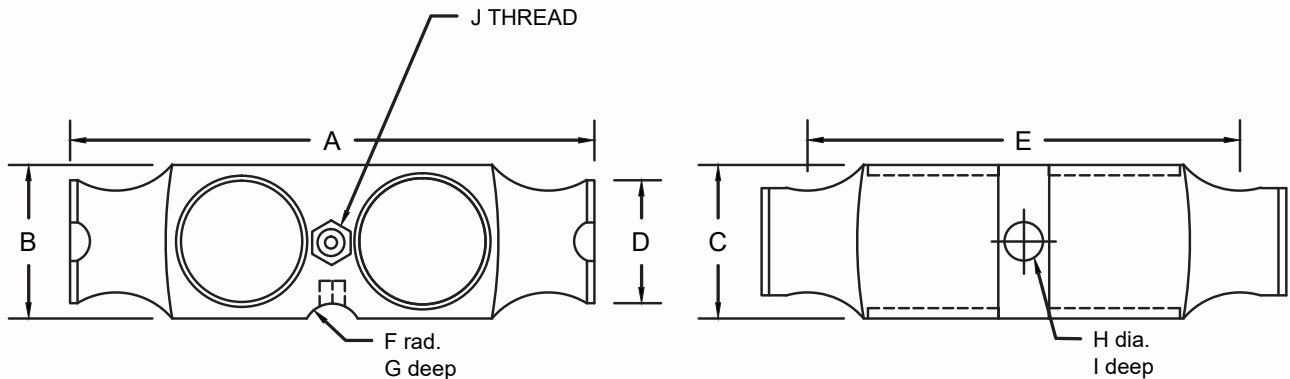
## CG-5223 ORDER INFORMATION

	DISCOUNT C	SUGGESTED LIST PRICE
50K		\$ 892.50
60K, 65K		\$ 892.50
75K, 100K		\$1048.16
125K		\$1048.16

## INTERCHANGEABLE PRODUCTS

Artech .....	80210
Revere Transducers.....	5223
Rice Lake Weighing Systems.....	RL75223
Sensortronics.....	65040A-XX-1127W
Thurman.....	TSC 800
Totalcomp.....	GDE23
Totalcomp.....	TDE23
Unibridge.....	DL90000
Zemic .....	HM9E

Main Dimensions and Accessories



RATED CAPACITY	DIMENSIONS									
	A	B	C	D	E	F	G	H	I	J
50K-125K	10.25	3.00	3.00	2.40	8.50	1.00	0.28	0.75	0.78	1/2-14 NPT

## ▶ SPECIFICATIONS ◀

Rated Output (mV/V)	3.00	Input Impedance	700 +/- 10 ohms
Nonlinearity	+/- 0.03% FS	Output Impedance	700 +/- 5 ohms
Hysteresis	+/- 0.02% FS	Insulation Resistance	5000 Megohms
Repeatability	+/- 0.01% FS	Excitation Voltage	10V AC/DC (20V Max)
Creep (30 minutes)	+/- 0.02% FS	Compensated Temperature Range	-10°C - +40°C
Zero Balance	+/- 1.00% FS	Operating Temperature Range	-20°C - +60°C
Temperature Effect on Zero	+/- 0.0027% of rated output/°C	Safe Overload	150% FS
Temperature Effect on Output	+/- 0.0015% of applied load/°C	Cable Length	50' Braided Shield/65K - 60'
Cable Color Code	Input Green +Excitation Black -Excitation	Output White +Signal Red -Signal	Seal Type Environmentally-Sealed, Welded Covers, IP67



# CG-BLC-2

▶ **DOUBLE-ENDED BEAM**

▶ **ALLOY STEEL**

NTEP 1:10,000 Class III Multiple Cell

Coti Global Sensors • 5699 Highway 53 Harvest, Alabama 35749 • Toll Free: 1-866-762-COTI(2684) • Fax: 256-852-9903 • www.cotiglobal.com



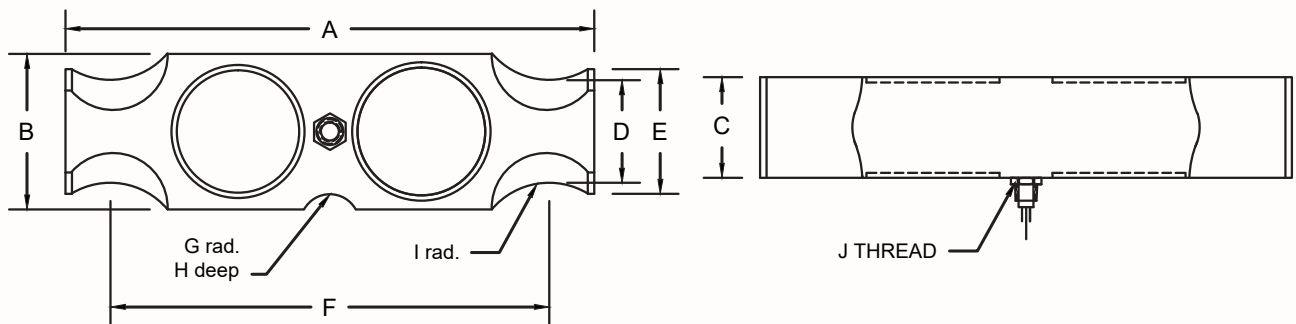
### CG-BLC-2 ORDER INFORMATION

	DISCOUNT C	SUGGESTED LIST PRICE
50K		\$ 1062.60
65K		\$ 1062.60
100K		\$ 1062.60

### INTERCHANGEABLE PRODUCTS

NV Technologies.....	BLC-2-XX-N
Revere Transducers.....	9803
Thurman.....	10088970A 50K

Main Dimensions and Accessories



RATED CAPACITY	DIMENSIONS									
	A	B	C	D	E	F	G	H	I	J
50K-100K	10.25	3.00	1.94	2.06	2.40	8.50	1.00	.311	1.00	1/2-14 NPT

### ▶ SPECIFICATIONS ◀

Rated Output (mV/V)	3.00	Input Impedance	700 +/- 10 ohms
Nonlinearity	+/- 0.03% FS	Output Impedance	700 +/- 5 ohms
Hysteresis	+/- 0.02% FS	Insulation Resistance	5000 Megohms
Repeatability	+/- 0.01% FS	Excitation Voltage	10V AC/DC (20V Max)
Creep (30 minutes)	+/- 0.02% FS	Compensated Temperature Range	-10°C - +40°C
Zero Balance	+/- 1.00% FS	Operating Temperature Range	-20°C - +60°C
Temperature Effect on Zero	+/- 0.0027% of rated output/°C	Safe Overload	150% FS
Temperature Effect on Output	+/- 0.0015% of applied load/°C	Cable Length	50' Braided Shield Cable
Cable Color Code	Input Green +Excitation Black -Excitation	Output White +Signal Red -Signal	Seal Type Environmentally-Sealed, IP67

# CG-16

▶ **DOUBLE-ENDED  
SHEAR BEAM**

▶ **ALLOY STEEL**

Coti Global Sensors • 5699 Highway 53 Harvest, Alabama 35749 • Toll Free: 1-866-762-COTI(2684) • Fax: 256-852-9903 • www.cotiglobal.com



### CG-16 ORDER INFORMATION

DISCOUNT C SUGGESTED LIST PRICE

1K, 1.5K, 2K, 2.5K, 3K, 5K	\$ 546.00
10K, 15K, 20K, 25K	\$ 624.75
35K	\$ 624.75
50K	\$ 929.78
*75K	\$ 929.78
*100K & 125K	\$1264.73
* Has square center	

### INTERCHANGEABLE PRODUCTS

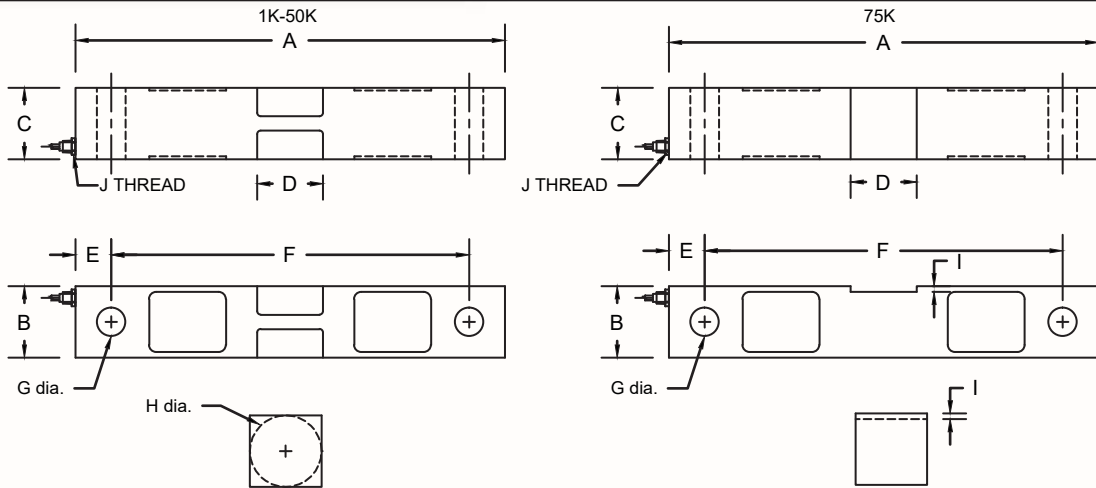
Artech.....	70510
Celtron.....	DSR
Mettler Toledo.....	0792
Mettler Toledo.....	SLD-525
Revere.....	5203
Rice Lake Weighing Systems.....	RL75016
Sensortronics.....	65016
Totalcomp.....	GDE16
Totalcomp.....	TDE16
Transcell.....	DBS
*Zemic.....	H9D
*35K has different yoke not interchangeable with Coti Global.	

### WEIGH MODULES

Coti Global Sensors

CG16M-MS see page 148

Main Dimensions and Accessories



RATED CAPACITY	DIMENSIONS									
	A	B	C	D	E	F	G	H	I	J
1K-5K	7.50	1.25	1.25	1.15	0.62	6.25	0.50	1.25	-	1/4-18 NPT
10K-25K	8.75	1.94	1.44	2.00	0.62	7.50	0.81	2.00	-	1/4-18 NPT
35K	8.75	2.50	1.50	2.00	0.62	7.50	0.81	2.50	-	1/2-14 NPT
50K	13.50	2.94	2.44	3.25	1.00	11.50	1.31	3.00	-	1/2-14 NPT
75K	13.50	2.94	2.44	3.25	1.00	11.50	1.31	-	0.17	1/2-14 NPT
100K-125K	18.50	3.94	2.94	3.25	1.75	15.00	1.63	-	0.25	1/2-14 NPT

### SPECIFICATIONS

Rated Output (mV/V)	3.00	Input Impedance	700 +/- 10 ohms
Nonlinearity	+/- 0.03% FS	Output Impedance	700 +/- 5 ohms
Hysteresis	+/- 0.02% FS	Insulation Resistance	5000 Megohms
Repeatability	+/- 0.01% FS	Excitation Voltage	10V AC/DC (20V Max)
Creep (30 minutes)	+/- 0.02% FS	Compensated Temperature Range	-10°C - +40°C
Zero Balance	+/- 1.00% FS	Operating Temperature Range	-20°C - +60°C
Temperature Effect on Zero	+/- 0.0027% of rated output/°C	Safe Overload	150% FS
Temperature Effect on Output	+/- 0.0015% of applied load/°C	Cable Length: 1K - 5K 50' Standard	10K - 125K 50' Braided Shield
Cable Color Code	Input	Output	Seal Type
	Green +Excitation	White +Signal	Environmentally-Sealed, IP67
	Black -Excitation	Red -Signal	

# CG-16-SSW

▶ **DOUBLE-ENDED  
SHEAR BEAM**

▶ **STAINLESS STEEL**  
Welded-Seal, IP67

Coti Global Sensors • 5699 Highway 53 Harvest, Alabama 35749 • Toll Free: 1-866-762-COTI(2684) • Fax: 256-852-9903 • www.cotiglobal.com



### CG-16 SSW ORDER INFORMATION

	DISCOUNT C	SUGGESTED LIST PRICE
1K, 1.5K, 2K, 2.5K, 3K, 5K		\$ 617.93
10K, 15K, 20K, 25K, 35K		\$ 693.00
50K		\$1386.00
* 75K		\$1386.00
* 75K capacity has square center		

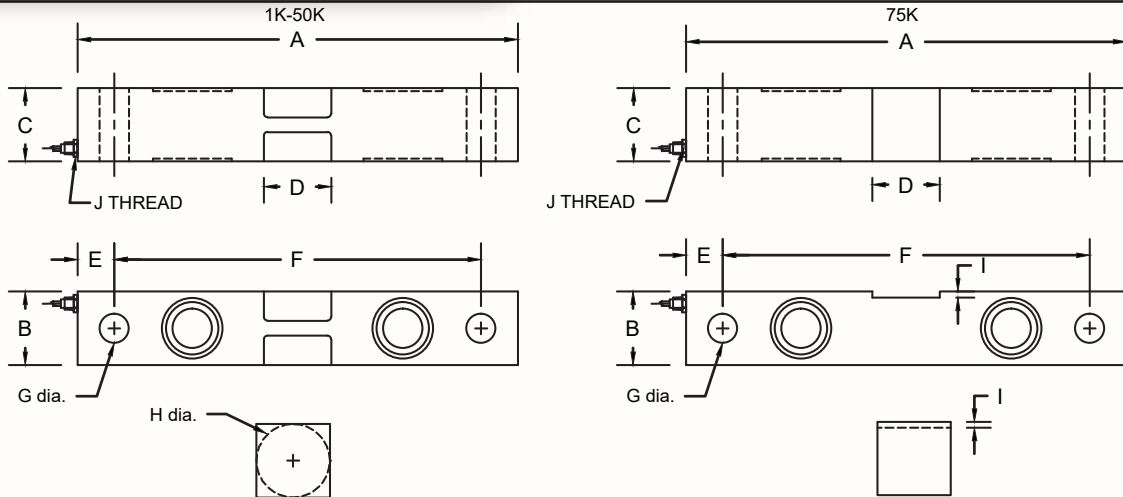
### INTERCHANGEABLE PRODUCTS

Celtron.....	DSR HSS
Mettler Toledo.....	SLD-525
Revere.....	9203
Rice Lake Weighing Systems.....	RL75016SS
Rice Lake Weighing Systems.....	RL75016SS-W
Rice Lake Weighing Systems.....	RL75016WHE
Sensortronics.....	65016W
Sensortronics.....	65016WH

### WEIGH MODULES

Coti Global Sensors	CG16M-SM see page 149
Coti Global Sensors	CG16M-SSW see page 150

Main Dimensions and Accessories



RATED CAPACITY	DIMENSIONS									
	A	B	C	D	E	F	G	H	I	J
1K-5K	7.50	1.25	1.25	1.15	0.62	6.25	0.50	1.25	-	1/4-18 NPT
10K-25K	8.75	1.94	1.44	2.00	0.62	7.50	0.81	2.00	-	1/4-18 NPT
35K	8.75	2.50	1.50	2.00	0.62	7.50	0.81	2.50	-	1/2-14 NPT
50K	13.50	2.94	2.44	3.25	1.00	11.50	1.31	3.00	-	1/2-14 NPT
75K	13.50	2.94	2.44	3.25	1.00	11.50	1.31	-	0.17	1/2-14 NPT

## SPECIFICATIONS

Rated Output (mV/V)	3.00	Input Impedance	700 +/- 10 ohms
Nonlinearity	+/- 0.03% FS	Output Impedance	700 +/- 5 ohms
Hysteresis	+/- 0.02% FS	Insulation Resistance	5000 Megohms
Repeatability	+/- 0.01% FS	Excitation Voltage	10V AC/DC (20V Max)
Creep (30 minutes)	+/- 0.02% FS	Compensated Temperature Range	-10°C - +40°C
Zero Balance	+/- 1.00% FS	Operating Temperature Range	-20°C - +60°C
Temperature Effect on Zero	+/- 0.0027% of rated output/°C	Safe Overload	150% FS
Temperature Effect on Output	+/- 0.0015% of applied load/°C	Cable Length: 1K - 5K 50' Standard	10K - 125K 50' Braided Shield
Cable Color Code	Input	Output	Seal Type
	Green +Excitation	White +Signal	Welded-Seal, IP67
	Black -Excitation	Red -Signal	

# CG-BE40

▶ **DOUBLE-ENDED BEAM**

▶ **ALLOY STEEL**

NTEP 1:10,000 Class III Multiple Cell

Coti Global Sensors • 5699 Highway 53 Harvest, Alabama 35749 • Toll Free: 1-866-762-COTI(2684) • Fax: 256-852-9903 • www.cotiglobal.com



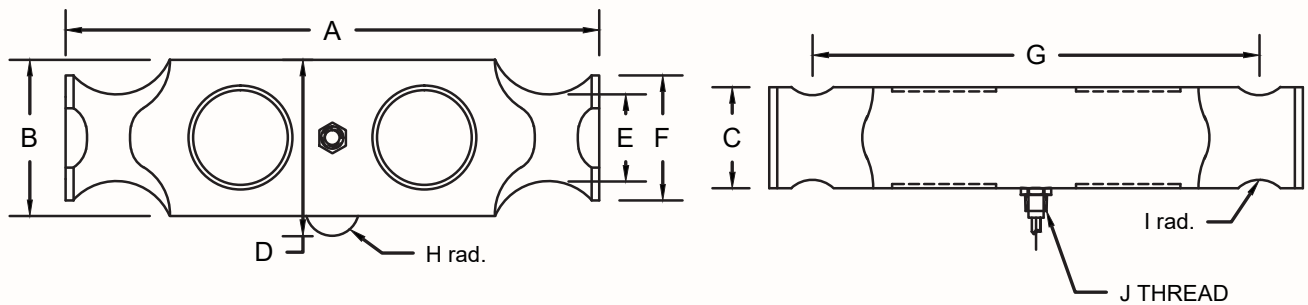
### CG-BE40 ORDER INFORMATION

	DISCOUNT C	SUGGESTED LIST PRICE
25K, 40K, 50K SE, 60K SE, 75K SE		\$ 661.50
50K, 60K, 75K		\$ 866.25
100K, 125K		\$1627.50

### INTERCHANGEABLE PRODUCTS

Airweigh.....	AW900
Artech.....	80310
Celtron.....	DLB
Massload.....	MLS400
Revere.....	9323 50Kse - 75Kse
Revere.....	9903 50Kle - 75Kle
Rice Lake Weighing Systems.....	RL75040A
Sensortronics.....	65040A
Thurman.....	TSC840
Totalcomp.....	TDE40

Main Dimensions and Accessories



RATED CAPACITY	DIMENSIONS									
	A	B	C	D	E	F	G	H	I	J
25K-75KSE	8.25	2.44	1.94	2.97	1.63	2.00	7.25	0.50	0.50	1/4-18NPT
50K-75K	11.50	2.94	1.94	3.47	1.70	2.20	10.00	1.00	0.75	1/2-14NPT
100K-125K	14.50	3.86	2.90	4.68	2.44	3.20	12.50	1.50	1.00	1/2-14NPT

### SPECIFICATIONS

Rated Output (mV/V)	3.00	Input Impedance	700 +/- 10 ohms
Nonlinearity	+/- 0.03% FS	Output Impedance	700 +/- 5 ohms
Hysteresis	+/- 0.02% FS	Insulation Resistance	5000 Megohms
Repeatability	+/- 0.01% FS	Excitation Voltage	10V AC/DC (20V Max)
Creep (30 minutes)	+/- 0.02% FS	Compensated Temperature Range	-10°C - +40°C
Zero Balance	+/- 1.00% FS	Operating Temperature Range	-20°C - +60°C
Temperature Effect on Zero	+/- 0.0027% of rated output/°C	Safe Overload	150% FS
Temperature Effect on Output	+/- 0.0015% of applied load/°C	Cable Length	50' Braided Shield
Cable Color Code	Input	Output	Seal Type
	Green +Excitation	White +Signal	Environmentally-Sealed, IP67
	Black -Excitation	Red -Signal	

# CG-58

▶ **DOUBLE-ENDED BEAM**

▶ **ALLOY STEEL**

NTEP 1:10,000 Class III Multiple Cell

Coti Global Sensors • 5699 Highway 53 Harvest, Alabama 35749 • Toll Free: 1-866-762-COTI(2684) • Fax: 256-852-9903 • www.cotiglobal.com



### CG-58 ORDER INFORMATION

	DISCOUNT C	SUGGESTED LIST PRICE
*10K, *20K		\$ 651.00
25K		\$ 651.00
40K, 50K SE		\$ 782.25
50K, 60K, 75K		\$ 861.00
100K, 125K		\$1627.50
*NON-NTEP		

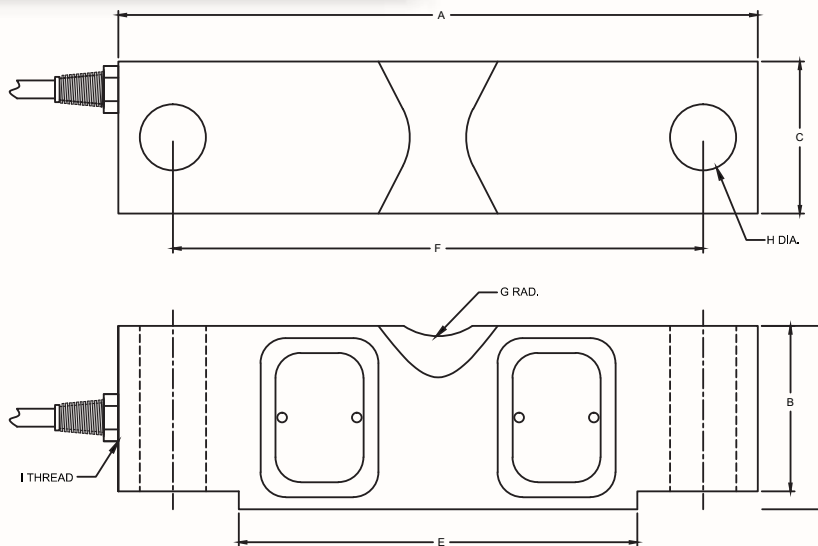
### INTERCHANGEABLE PRODUCTS

Artech.....	70310
Celtron.....	CLB
Revere .....	5303
Rice Lake Weighing Systems.....	RL75058
Sensortronics.....	65058A
Tedea.....	4158
Totalcomp.....	TDE58
Zemic .....	B9N

### WEIGH MODULES

Coti Global Sensors..... CG-TSA see page 151

Main Dimensions and Accessories



RATED CAPACITY	DIMENSIONS										
	A	B	C	D	E	F	G	H	I	J	K
10K-25K	7.75	1.70	1.69	1.94	5.00	6.50	0.75	0.68	1/4-18NPT	0.31	0.97
40K-50KSE	10.25	2.10	1.94	2.44	6.39	8.50	1.00	0.81	1/4-18NPT	0.34	1.22
50K-75K	10.25	2.65	2.44	2.94	6.39	8.50	1.00	1.06	1/2-14NPT	0.45	1.47
100K-125K	15.25	3.43	2.90	3.86	9.00	12.75	1.50	1.62	1/2-14NPT	0.43	1.93

### ▶ SPECIFICATIONS ◀

Rated Output (mV/V)	3.00	Input Impedance	700 +/- 10 ohms
Nonlinearity	+/- 0.03% FS	Output Impedance	700 +/- 5 ohms
Hysteresis	+/- 0.02% FS	Insulation Resistance	5000 Megohms
Repeatability	+/- 0.01% FS	Excitation Voltage	10V AC/DC (20V Max)
Creep (30 minutes)	+/- 0.02% FS	Compensated Temperature Range	-10°C - +40°C
Zero Balance	+/- 1.00% FS	Operating Temperature Range	-20°C - +60°C
Temperature Effect on Zero	+/- 0.0027% of rated output/°C	Safe Overload	150% FS
Temperature Effect on Output	+/- 0.0015% of applied load/°C	Cable Length	50' Braided Shield / 75K - 75'
Cable Color Code	Input	Output	Seal Type
	Green +Excitation	White +Signal	Environmentally-Sealed, IP67
	Black -Excitation	Red -Signal	

# CG-DB50000S

▶ **DOUBLE-ENDED BEAM**

▶ **STAINLESS STEEL**  
NTEP 1:10,000 CLASS III. MULTIPLE CELL

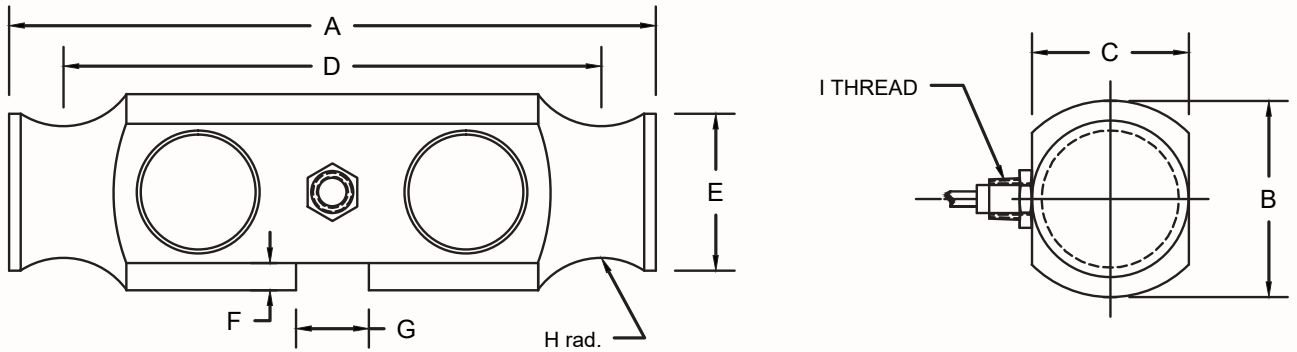
Coti Global Sensors • 5699 Highway 53 Harvest, Alabama 35749 • Toll Free: 1-866-762-COTI(2684) • Fax: 256-852-9903 • www.cotiglobal.com



CG-DB50000S ORDER INFORMATION	DISCOUNT C	SUGGESTED LIST PRICE
35K		\$1244.25
50K		\$1244.25
75K		\$1244.25

INTERCHANGEABLE PRODUCTS	
Cardinal.....	DB35000S
Cardinal.....	DB50000S
Cardinal.....	DB75000S
Rice Lake Weighing Systems.....	RLDB50000S

Main Dimensions and Accessories



RATED CAPACITY	DIMENSIONS										
	A	B	C	D	E	F	G	H	I		
35K-75K	8.25	2.50	1.80	7.25	2.00	0.38	0.93	0.75	1/2-14NPT		

## ▶ SPECIFICATIONS ◀

Rated Output (mV/V)	2.00	Input Impedance	700 +/- 10 ohms
Nonlinearity	+/- 0.03% FS	Output Impedance	700 +/- 5 ohms
Hysteresis	+/- 0.02% FS	Insulation Resistance	5000 Megohms
Repeatability	+/- 0.01% FS	Excitation Voltage	10V AC/DC (20V Max)
Creep (30 minutes)	+/- 0.02% FS	Compensated Temperature Range	-10°C - +40°C
Zero Balance	+/- 1.00% FS	Operating Temperature Range	-20°C - +60°C
Temperature Effect on Zero	+/- 0.0027% of rated output/°C	Safe Overload	150% FS
Temperature Effect on Output	+/- 0.0015% of applied load/°C	Cable Length	50' Braided Shield Cable
Cable Color Code	Input	Output	Seal Type
	Green +Excitation	White +Signal	Welded-Seal, IP67
	Black -Excitation	Red -Signal	



# CG-Lodec

▶ **DOUBLE-ENDED BEAM**

▶ **ALLOY STEEL**

Coti Global Sensors • 5699 Highway 53 Harvest, Alabama 35749 • Toll Free: 1-866-762-COTI(2684) • Fax: 256-852-9903 • www.cotiglobal.com



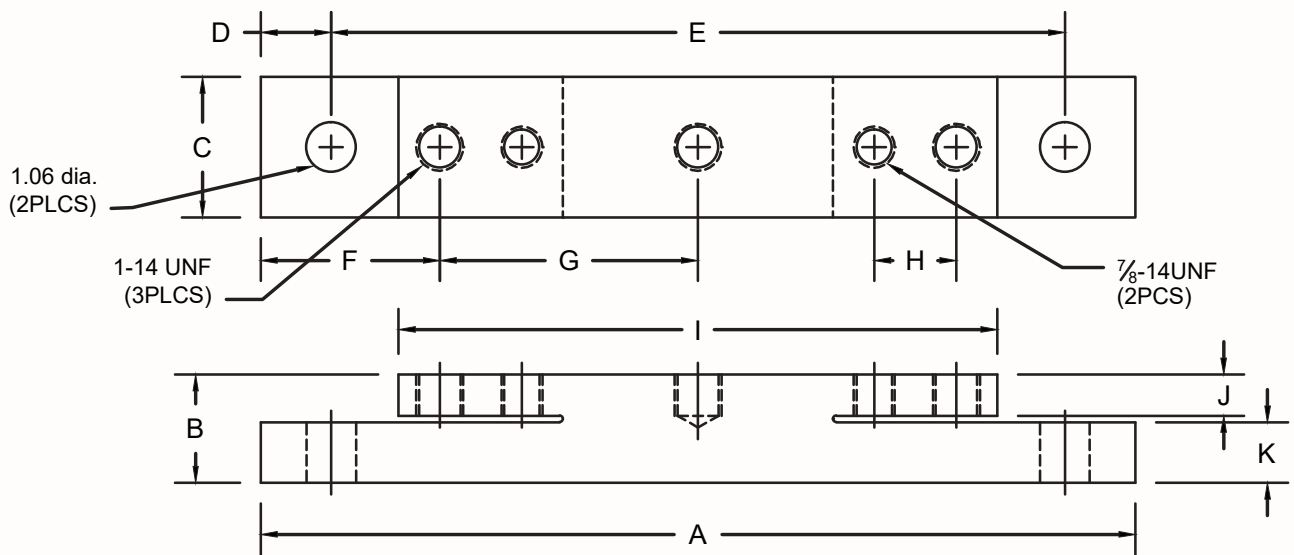
### CG-Lodec ORDER INFORMATION

	DISCOUNT C	SUGGESTED LIST PRICE
12.5K.....with 7pin male connector		\$ 866.25
12.5K.....with cable		\$ 866.25
30K.....with 7pin male connector		\$ 866.25

### INTERCHANGEABLE PRODUCTS

SI Lodec.....	Lodec
---------------	-------

Main Dimensions and Accessories



RATED CAPACITY	DIMENSIONS										
	A	B	C	D	E	F	G	H	I	J	K
12.5K - 30K	22.62	2.31	3.00	1.50	19.62	3.81	7.50	1.75	16.75	0.88	1.29

### ▶ SPECIFICATIONS ◀

Rated Output (mV/V)	0.50 @ 12.5K	Input Impedance	415 +/- 10 ohms
Nonlinearity	+/- 0.03% FS	Output Impedance	350 +/- 5 ohms
Hysteresis	+/- 0.02% FS	Insulation Resistance	5000 Megohms
Repeatability	+/- 0.01% FS	Excitation Voltage	10V AC/DC (20V Max)
Creep (30 minutes)	+/- 0.02% FS	Compensated Temperature Range	-10°C - +40°C
Zero Balance	+/- 1.00% FS	Operating Temperature Range	-20°C - +60°C
Temperature Effect on Zero	+/- 0.0027% of rated output/°C	Safe Overload	150% FS
Temperature Effect on Output	+/- 0.0015% of applied load/°C	Cable Length	80' Braided Shield Cable
Cable Color Code	Input	Output	Seal Type
	Green +Excitation	White +Signal	Environmentally-Sealed, IP67
	Black -Excitation	Red -Signal	

Pin Connector Code	
Pin A.....	+ Signal
Pin B.....	Open
Pin C.....	- Excitation
Pin D.....	+ Excitation
Pin E.....	Open
Pin F.....	- Signal



# CG-SLS

▶ **DOUBLE-ENDED BEAM**

▶ **ALLOY STEEL**

Coti Global Sensors • 5699 Highway 53 Harvest, Alabama 35749 • Toll Free: 1-866-762-COTI(2684) • Fax: 256-852-9903 • www.cotiglobal.com



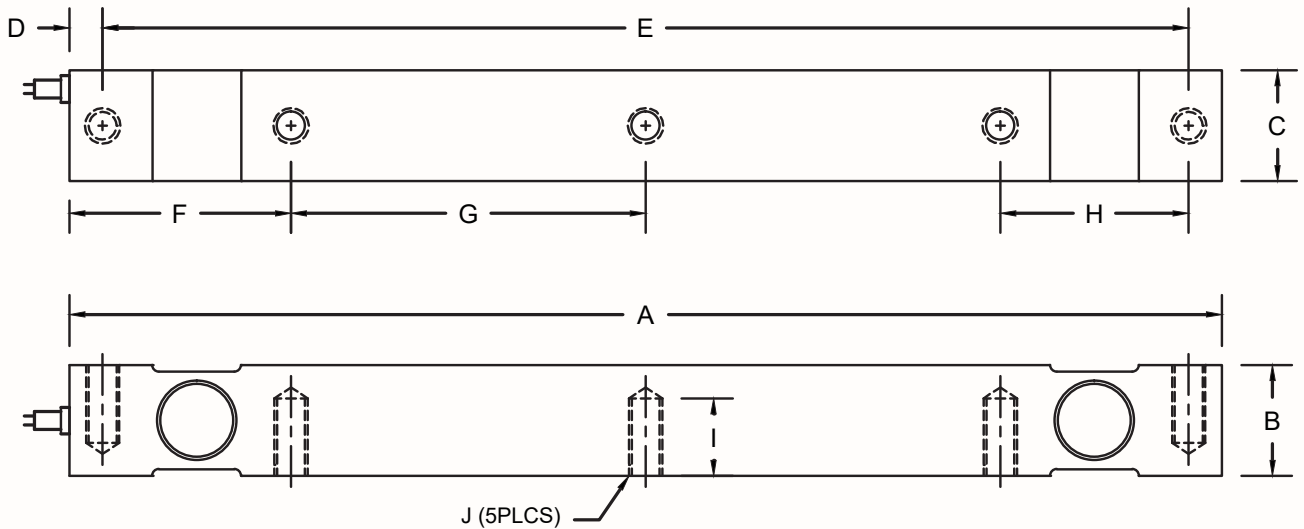
### CG-SLS ORDER INFORMATION

	DISCOUNT C	SUGGESTED LIST PRICE
25K		\$ 866.25
40K		\$ 866.25

### INTERCHANGEABLE PRODUCTS

Mass Load..... ML-1100

Main Dimensions and Accessories



RATED CAPACITY	DIMENSIONS									
	A	B	C	D	E	F	G	H	I	J
25K - 40K	26.00	2.50	2.50	0.75	24.50	5.00	8.00	4.25	1.90	3/4-10UNC

### ▶ SPECIFICATIONS ◀

Rated Output (mV/V)	2.00	Input Impedance	700 +/- 10 ohms
Nonlinearity	+/- 0.03% FS	Output Impedance	700 +/- 5 ohms
Hysteresis	+/- 0.02% FS	Insulation Resistance	5000 Megohms
Repeatability	+/- 0.01% FS	Excitation Voltage	10V AC/DC (20V Max)
Creep (30 minutes)	+/- 0.02% FS	Compensated Temperature Range	-10°C - +40°C
Zero Balance	+/- 1.00% FS	Operating Temperature Range	-20°C - +60°C
Temperature Effect on Zero	+/- 0.0027% of rated output/°C	Safe Overload	150% FS
Temperature Effect on Output	+/- 0.0015% of applied load/°C	Cable Length	30' Standard Cable
Cable Color Code	Input Green +Excitation Black -Excitation	Output White +Signal Red -Signal	Seal Type Environmentally-Sealed, IP67

# CG-80210

DOUBLE-ENDED BEAM

ALLOY STEEL

NTEP 1:10,000 Class III Multiple Cell

Coti Global Sensors • 5699 Highway 53 Harvest, Alabama 35749 • Toll Free: 1-866-762-COTI(2684) • Fax: 256-852-9903 • www.cotiglobal.com



### CG-80210 ORDER INFORMATION

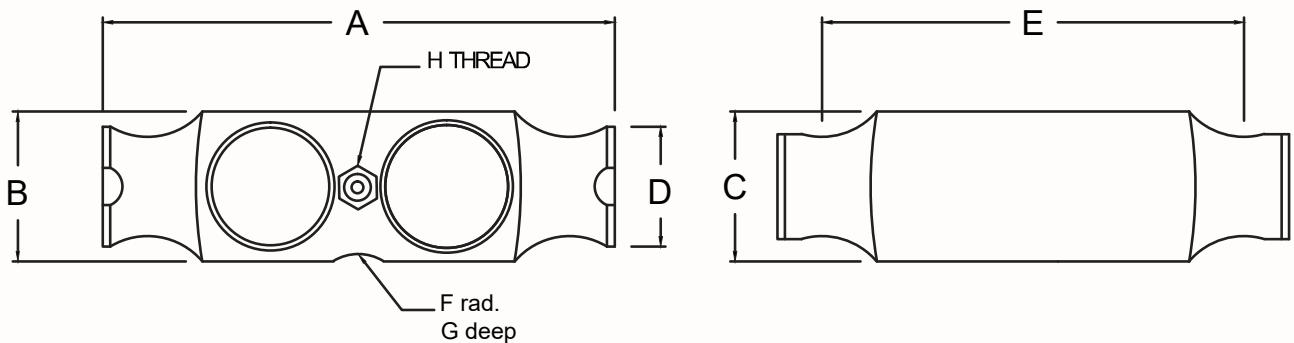
	DISCOUNT C	SUGGESTED LIST PRICE
50K SE		\$ 727.65
60K SE		\$ 727.65

### INTERCHANGEABLE PRODUCTS

Airweigh.....	50K SE.....	AW900
Airweigh.....	60K SE.....	AW900B
NV Technology.....		BLC-1 60K-N
* Revere.....		9423
Sensortronics.....		65040-1134
Sooner Scale.....		80210

\*denotes CG model does NOT have load pin hole

Main Dimensions and Accessories



RATED CAPACITY	DIMENSIONS							
	A	B	C	D	E	F	G	H
50Kse-60Kse	8.25	2.45	1.94	2.00	7.25	0.50	0.07	1/2-14 NPT

### SPECIFICATIONS

Rated Output (mV/V)	3.00	Input Impedance	700 +/- 10 ohms
Nonlinearity	+/- 0.03% FS	Output Impedance	700 +/- 5 ohms
Hysteresis	+/- 0.02% FS	Insulation Resistance	5000 Megohms
Repeatability	+/- 0.01% FS	Excitation Voltage	10V AC/DC (20V Max)
Creep (30 minutes)	+/- 0.02% FS	Compensated Temperature Range	-10°C - +40°C
Zero Balance	+/- 1.00% FS	Operating Temperature Range	-20°C - +60°C
Temperature Effect on Zero	+/- 0.0027% of rated output/°C	Safe Overload	150% FS
Temperature Effect on Output	+/- 0.0015% of applied load/°C	Cable Length	50' Braided Shield Cable
Cable Color Code	Input	Output	Seal Type
	Green +Excitation	White +Signal	Environmentally-Sealed, IP67
	Black -Excitation	Red -Signal	

# CG-WBM

▶ DOUBLE-ENDED BEAM

▶ ALLOY STEEL

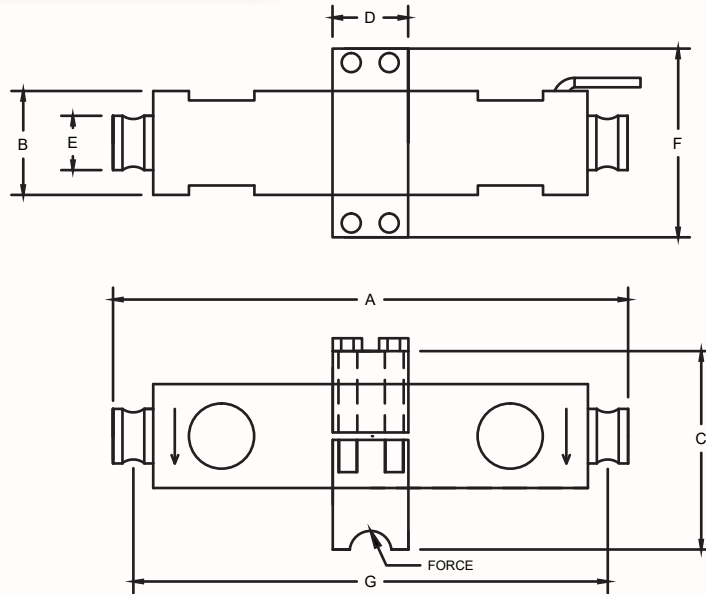
Coti Global Sensors • 5699 Highway 53 Harvest, Alabama 35749 • Toll Free: 1-866-762-COTI(2684) • Fax: 256-852-9903 • www.cotiglobal.com



CG-WBM ORDER INFORMATION	DISCOUNT C	SUGGESTED LIST PRICE
37.5K		\$1,501.50
50K		\$1,501.50

INTERCHANGEABLE PRODUCTS	
Weigh-Tronix.....	WBM
Weigh-Tronix.....	18561-0029

Main Dimensions and Accessories



RATED CAPACITY	DIMENSIONS						
	A	B	C	D	E	F	G
37.5K	13.625	2.75	5.25	2.00	1.44	5.00	12.55
50K	13.125	3.00	5.25	2.50	1.50	6.00	11.97

## ▶ SPECIFICATIONS ◀

Rated Output (mV/V)	3.00	Input Impedance	385 +/- 10 ohms
Nonlinearity	+/- 0.03% FS	Output Impedance	350 +/- 5 ohms
Hysteresis	+/- 0.02% FS	Insulation Resistance	5000 Megohms
Repeatability	+/- 0.01% FS	Excitation Voltage	10V AC/DC (20V Max)
Creep (30 minutes)	+/- 0.02% FS	Compensated Temperature Range	-10°C - +40°C
Zero Balance	+/- 1.00% FS	Operating Temperature Range	-20°C - +60°C
Temperature Effect on Zero	+/- 0.0027% of rated output/°C	Safe Overload	150% FS
Temperature Effect on Output	+/- 0.0015% of applied load/°C	Cable Length	50' Braided Shield Cable
Cable Color Code	Input Green +Excitation Black -Excitation	Output White +Signal Red -Signal	Seal Type Environmentally-Sealed, IP67

# **SINGLE POINTS**

# CG-FB

▶ SINGLE POINT

▶ ALUMINUM

Coti Global Sensors • 5699 Highway 53 Harvest, Alabama 35749 • Toll Free: 1-866-762-COTI(2684) • Fax: 256-852-9903 • www.cotiglobal.com



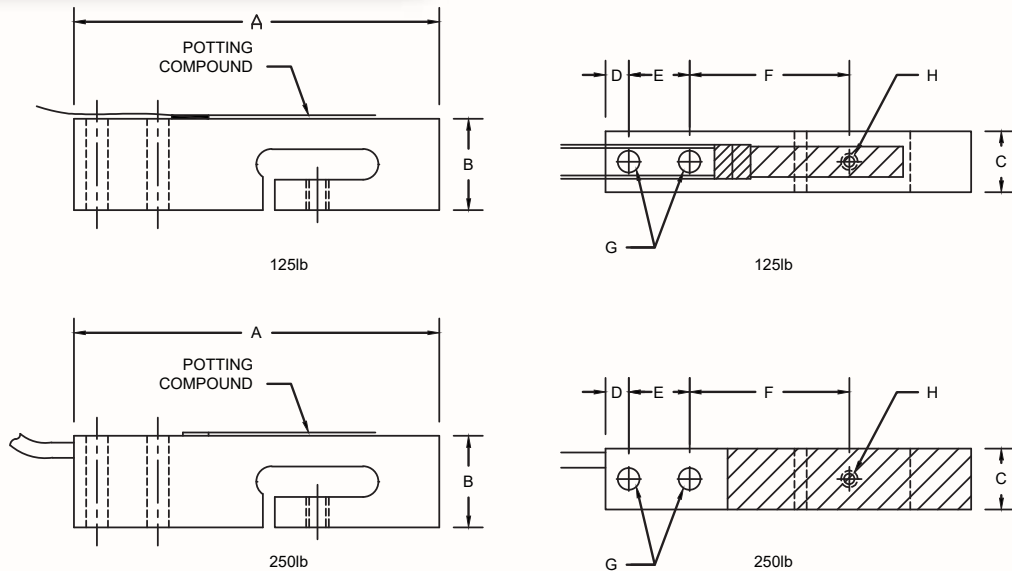
### CG-FB ORDER INFORMATION

	DISCOUNT C	SUGGESTED LIST PRICE
125 lb		\$ 658.35
250 lb		\$ 658.35

### INTERCHANGEABLE PRODUCTS

Fairbanks.....	3-551761-1
Fairbanks.....	3-55383-2

Main Dimensions and Accessories



RATED CAPACITY	DIMENSIONS									
	A	B	C	D	E	F	G	H		
125LB	3.00	0.75	0.50	0.19	0.50	1.31	0.18	8-32UNF		
250LB	3.00	0.85	0.75	0.19	0.50	1.31	0.18	10-32UNF		

### SPECIFICATIONS

Rated Output (mV/V)	2.00 +/- 10%	Input Impedance	385 +/- 10 ohms
Nonlinearity	+/- 0.03% FS	Output Impedance	350 +/- 3 ohms
Hysteresis	+/- 0.02% FS	Insulation Resistance	5000 Megohms
Repeatability	+/- 0.02% FS	Excitation Voltage	10V AC/DC (20V Max)
Creep (30 minutes)	+/- 0.03% FS	Compensated Temperature Range	-10°C - +40°C
Zero Balance	+/- 1.00% FS	Operating Temperature Range	-20°C - +60°C
Temperature Effect on Zero	+/- 0.002% of rated output/°C	Safe Overload	150% FS
Temperature Effect on Output	+/- 0.001% of applied load/°C	Cable Length	10' Standard Cable
Cable Color Code	Input	Output	Seal Type
	Green +Excitation	White +Signal	Environmentally Sealed, IP67
	Black -Excitation	Red -Signal	

# CG-1010

▶ SINGLE POINT

▶ ALUMINUM

Coti Global Sensors • 5699 Highway 53 Harvest, Alabama 35749 • Toll Free: 1-866-762-COTI(2684) • Fax: 256-852-9903 • www.cotiglobal.com



### CG-1010 ORDER INFORMATION

DISCOUNT C

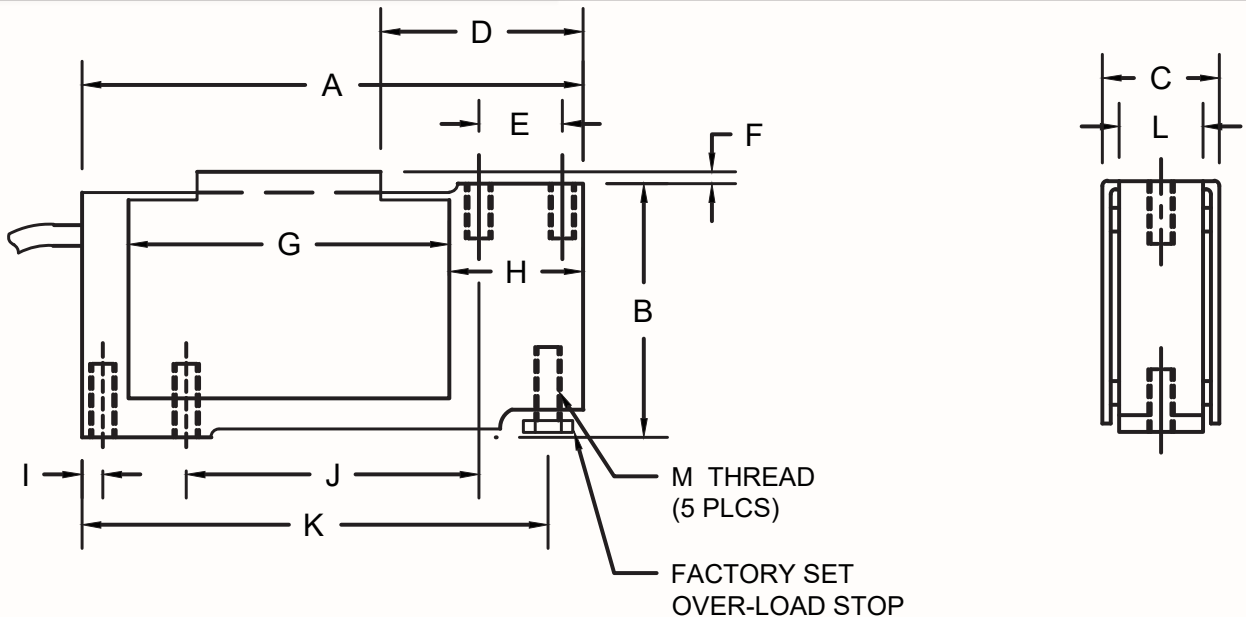
SUGGESTED LIST PRICE

3 KG	\$215.00
5 KG	\$215.00
7 KG	\$215.00
10 KG	\$215.00
15 KG	\$215.00
20 KG	\$215.00
30 KG	\$215.00
50 KG	\$215.00
90 KG	\$215.00

### INTERCHANGEABLE PRODUCTS

Rice Lake Weighing Systems.....	RL1010
Tedea.....	1010

Main Dimensions and Accessories



RATED CAPACITY	DIMENSIONS												
	A	B	C	D	E	F	G	H	I	J	K	L	M
3-90KG	4.65	2.48	1.32	1.34	0.75	0.12	3.15	0.96	0.30	2.55	4.35	1.00	1/4-20UNCx0.50dp

### ▶ SPECIFICATIONS ◀

Rated Output (mV/V)	2.00 +/- 10%	Input Impedance	410 +/- 10 ohms
Nonlinearity	+/- 0.03% FS	Output Impedance	350 +/- 3 ohms
Hysteresis	+/- 0.02% FS	Insulation Resistance	5000 Megohms
Repeatability	+/- 0.02% FS	Excitation Voltage	10V AC/DC (20V Max)
Creep (30 minutes)	+/- 0.03% FS	Compensated Temperature Range	-10°C - +40°C
Zero Balance	+/- 1.00% FS	Operating Temperature Range	-20°C - +60°C
Temperature Effect on Zero	+/- 0.002% of rated output/°C	Safe Overload	150% FS
Temperature Effect on Output	+/- 0.001% of applied load/°C	Cable Length	10' Standard Cable
Cable Color Code	Input Green +Excitation Black -Excitation	Output White +Signal Red -Signal	Seal Type Environmentally Sealed, Potted, IP67
		Max Platform Size:	400 X 400 mm

# CG-PWS

▶ SINGLE POINT

▶ STAINLESS STEEL

Coti Global Sensors • 5699 Highway 53 Harvest, Alabama 35749 • Toll Free: 1-866-762-COTI(2684) • Fax: 256-852-9903 • www.cotiglobal.com



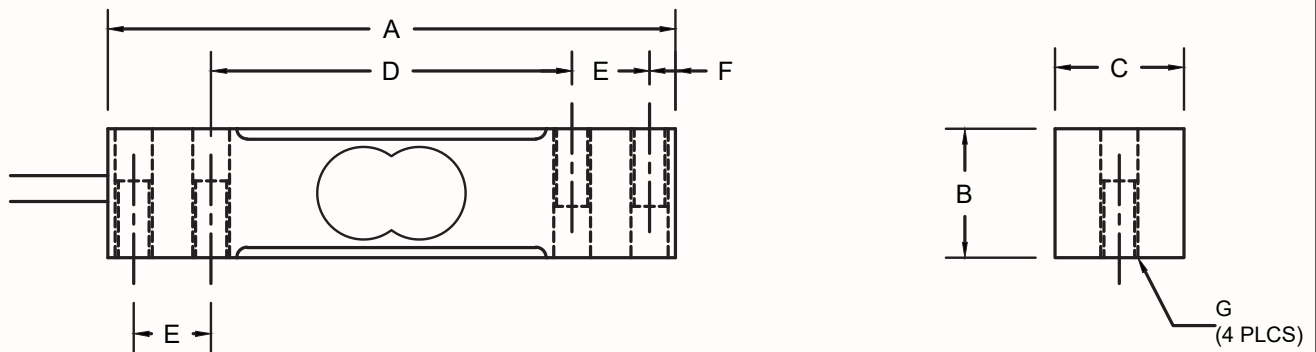
### CG-PWS ORDER INFORMATION

	DISCOUNT C	SUGGESTED LIST PRICE
7 KG		\$ 317.63
10 KG		\$ 317.63
15 KG		\$ 317.63
30 KG		\$ 317.63
60 KG		\$ 317.63
100 KG		\$ 317.63
150 KG		\$ 317.63

### INTERCHANGEABLE PRODUCTS

HBM.....	PWS
Rice Lake Weighing Systems.....	RL1380

Main Dimensions and Accessories



RATED CAPACITY	DIMENSIONS						
	A	B	C	D	E	F	G
7-15KG	5.50	1.19	0.75	3.50	0.75	0.25	1/4-20UNCx0.75dp
30-60KG	5.50	1.19	0.94	3.50	0.75	0.25	1/4-20UNCx0.75dp
100-150KG	5.50	1.19	1.21	3.12	0.88	0.31	3/8-16UNCx0.75dp

### ▶ SPECIFICATIONS ◀

Rated Output (mV/V)	2.00 +/- 10%	Input Impedance	385 +/- 10 ohms
Nonlinearity	+/- 0.03% FS	Output Impedance	350 +/- 3 ohms
Hysteresis	+/- 0.02% FS	Insulation Resistance	5000 Megohms
Repeatability	+/- 0.02% FS	Excitation Voltage	10V AC/DC (20V Max)
Creep (30 minutes)	+/- 0.03% FS	Compensated Temperature Range	-10°C - +40°C
Zero Balance	+/- 1.00% FS	Operating Temperature Range	-20°C - +60°C
Temperature Effect on Zero	+/- 0.002% of rated output/°C	Safe Overload	150% FS
Temperature Effect on Output	+/- 0.001% of applied load/°C	Cable Length	10' Standard Cable
Cable Color Code	Input	Output	Seal Type
	Green +Excitation	White +Signal	Environmentally Sealed, IP67
	Black -Excitation	Red -Signal	Max Platform Size:
			400 X 400 mm

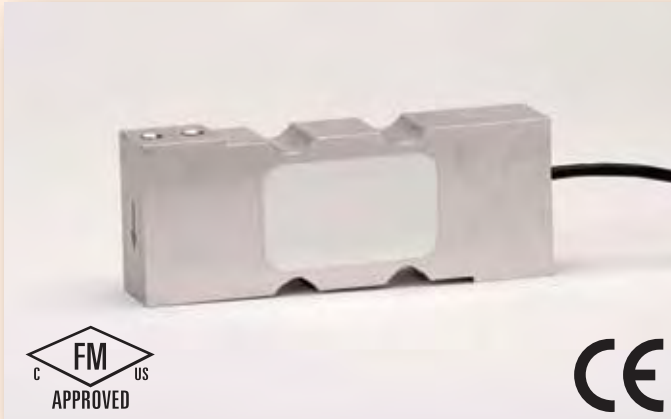


# CG-SPL

▶ SINGLE POINT

▶ ALUMINUM

Coti Global Sensors • 5699 Highway 53 Harvest, Alabama 35749 • Toll Free: 1-866-762-COTI(2684) • Fax: 256-852-9903 • www.cotiglobal.com



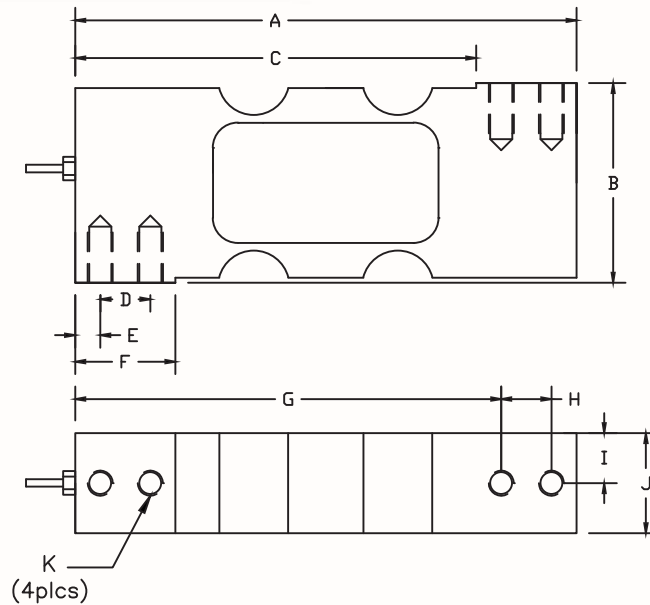
### CG-SPL ORDER INFORMATION

	DISCOUNT C	SUGGESTED LIST PRICE
6 lb.		\$ 363.00
10 lb.		\$ 363.00
15 lb.		\$ 363.00
25 lb.		\$ 363.00
50 lb.		\$ 363.00
100 lb.		\$ 363.00

### INTERCHANGEABLE PRODUCTS

Cardinal.....	SP-L
---------------	------

Main Dimensions and Accessories



RATED CAPACITY	DIMENSIONS										
	A	B	C	D	E	F	G	H	I	J	K
6lb-100lb	5.00	1.99	4.00	0.50	0.25	1.00	4.25	0.50	0.50	1.00	1/4-28UNF X0.50dp

### ▶ SPECIFICATIONS ◀

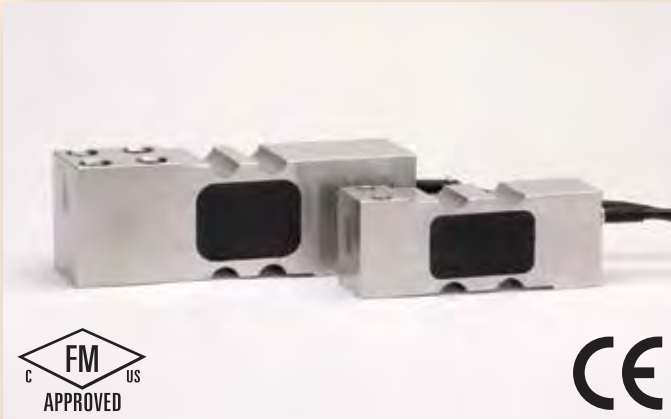
Rated Output (mV/V)	2.00 +/- 10%	Input Impedance	410 +/- 10 ohms
Nonlinearity	+/- 0.02% FS	Output Impedance	350 +/- 3 ohms
Hysteresis	+/- 0.02% FS	Insulation Resistance	5000 Megohms
Repeatability	+/- 0.02% FS	Excitation Voltage	10V AC/DC (20V Max)
Creep (30 minutes)	+/- 0.03% FS	Compensated Temperature Range	-10°C - +40°C
Zero Balance	+/- 1.00% FS	Operating Temperature Range	-20°C - +60°C
Temperature Effect on Zero	+/- 0.002% of rated output/°C	Safe Overload	150% FS
Temperature Effect on Output	+/- 0.001% of applied load/°C	Cable Length	10' Standard Cable
Cable Color Code	Input	Output	Seal Type
	Green +Excitation	Red +Signal	Environmentally Sealed, IP65
	Black -Excitation	White -Signal	Max Platform Size:
			400 X 400 mm

# CG-SPLM

▶ SINGLE POINT

▶ STAINLESS STEEL

Coti Global Sensors • 5699 Highway 53 Harvest, Alabama 35749 • Toll Free: 1-866-762-COTI(2684) • Fax: 256-852-9903 • www.cotiglobal.com

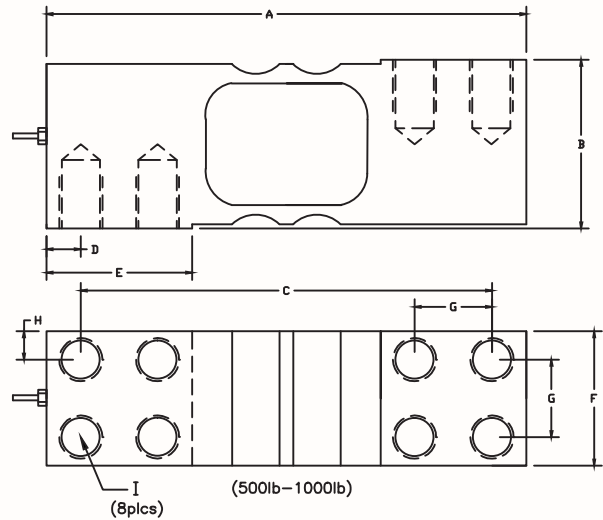
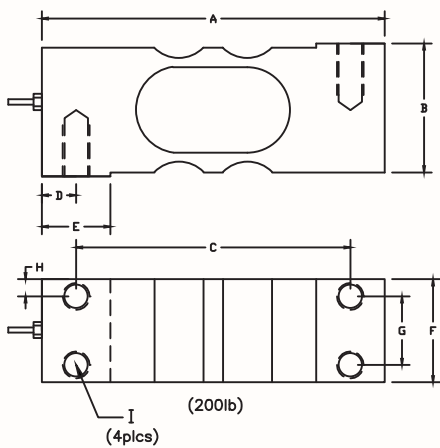


CG-SPLM ORDER INFORMATION	DISCOUNT C	SUGGESTED LIST PRICE
200 lb		\$ 669.90
500 lb		\$ 750.75
1000 lb		\$ 854.70

## INTERCHANGEABLE PRODUCTS

Cardinal..... SP-LM

Main Dimensions and Accessories



RATED CAPACITY	DIMENSIONS										
	A	B	C	D	E	F	G	H	I		
200lb	5.00	1.94	4.00	0.50	1.00	1.50	1.00	0.25	M10X1.5X0.75dp		
500lb-1000lb	7.00	2.46	6.00	0.50	2.13	1.96	1.13	0.42	M16X2.0X0.75dp		

## SPECIFICATIONS

Rated Output (mV/V)	2.00 +/- 10%	Input Impedance	410 +/- 10 ohms
Nonlinearity	+/- 0.03% FS	Output Impedance	350 +/- 3 ohms
Hysteresis	+/- 0.02% FS	Insulation Resistance	5000 Megohms
Repeatability	+/- 0.02% FS	Excitation Voltage	10V AC/DC (20V Max)
Creep (30 minutes)	+/- 0.03% FS	Compensated Temperature Range	-10°C - +40°C
Zero Balance	+/- 1.00% FS	Operating Temperature Range	-20°C - +60°C
Temperature Effect on Zero	+/- 0.002% of rated output/°C	Safe Overload	150% FS
Temperature Effect on Output	+/- 0.001% of applied load/°C	Cable Length	10' Standard Cable
Cable Color Code	Input Green +Excitation Black -Excitation	Output Red +Signal White -Signal	Seal Type Max Platform Size:
			Environmentally Sealed, Potted, IP67 600 X 600 mm

# CG-51

▶ SINGLE POINT

▶ STAINLESS STEEL

Coti Global Sensors • 5699 Highway 53 Harvest, Alabama 35749 • Toll Free: 1-866-762-COTI(2684) • Fax: 256-852-9903 • www.cotiglobal.com



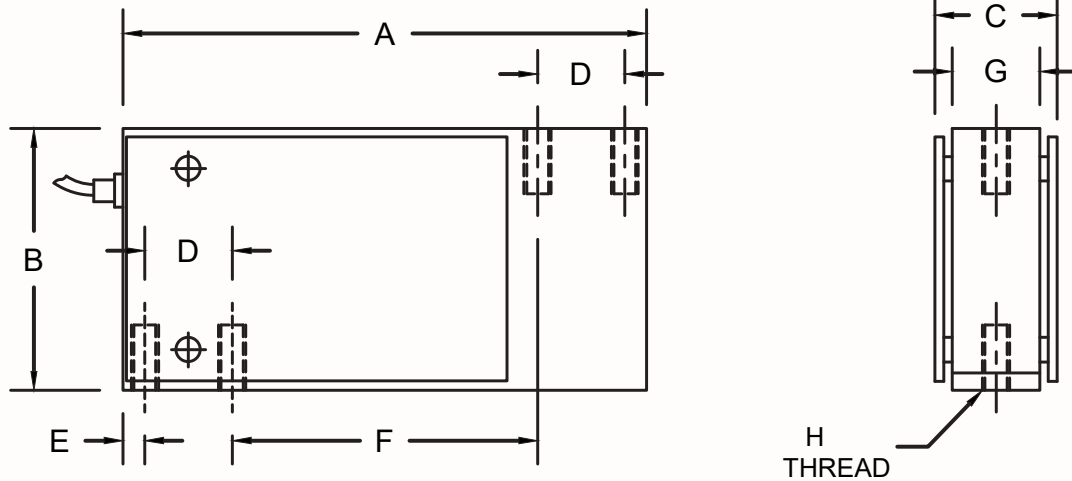
### CG-51 ORDER INFORMATION

	DISCOUNT C	SUGGESTED LIST PRICE
10 lb		\$ 433.13
15 lb		\$ 433.13
25 lb		\$ 433.13
50 lb		\$ 462.00
100 lb		\$ 462.00
200 lb		\$ 462.00

### INTERCHANGEABLE PRODUCTS

Artech.....	SS60210
NCI .....	Mark III
NCI .....	Mark IX
Sensortronics.....	60051

Main Dimensions and Accessories



RATED CAPACITY	DIMENSIONS							
	A	B	C	D	E	F	G	H
10-25LB	4.63	2.50	0.70	0.75	0.25	2.62	0.50	1/4-28UNFx0.50dp
50-200LB	4.63	2.50	0.95	0.75	0.25	2.62	0.75	1/4-28UNFx0.50dp

### ▶ SPECIFICATIONS ◀

Rated Output (mV/V)	2.00 +/- 10%	Input Impedance	385 +/- 10 ohms
Nonlinearity	+/- 0.03% FS	Output Impedance	350 +/- 3 ohms
Hysteresis	+/- 0.02% FS	Insulation Resistance	5000 Megohms
Repeatability	+/- 0.02% FS	Excitation Voltage	10V AC/DC (20V Max)
Creep (30 minutes)	+/- 0.03% FS	Compensated Temperature Range	-10°C - +40°C
Zero Balance	+/- 1.00% FS	Operating Temperature Range	-20°C - +60°C
Temperature Effect on Zero	+/- 0.002% of rated output/°C	Safe Overload	150% FS
Temperature Effect on Output	+/- 0.001% of applied load/°C	Cable Length	10' Standard Cable
Cable Color Code	Input Red +Excitation Black -Excitation	Output Green +Signal White -Signal	Seal Type Max Platform Size:
			Environmentally Sealed, Potted, IP67
			10 - 25 lb: 203X254 mm
			50 - 200 lb: 304X304 mm

# CG-60048

▶ SINGLE POINT

▶ STAINLESS STEEL

Coti Global Sensors • 5699 Highway 53 Harvest, Alabama 35749 • Toll Free: 1-866-762-COTI(2684) • Fax: 256-852-9903 • www.cotiglobal.com



### CG-60048 ORDER INFORMATION

DISCOUNT C

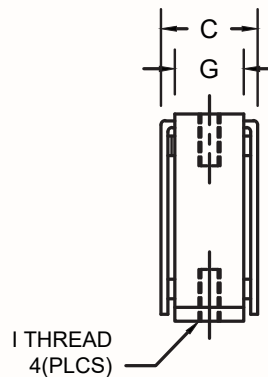
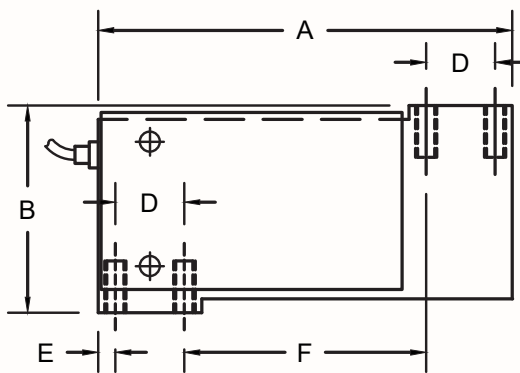
SUGGESTED LIST PRICE

25 lb		\$ 571.73
50 lb		\$ 571.73
100 lb		\$ 571.73
200 lb		\$ 571.73
400 lb		\$ 664.13
500 lb		\$ 664.13
1K		\$ 719.25

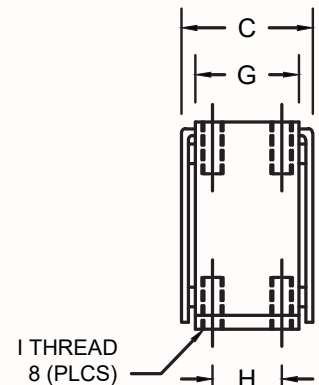
### INTERCHANGEABLE PRODUCTS

NCI®/Weigh-tronix®.....	Mark V
Sensortronics.....	60048SS

Main Dimensions and Accessories



25-200lb



400lb-1K

RATED CAPACITY	DIMENSIONS								
	A	B	C	D	E	F	G	H	I
25-200LB	6.00	3.00	1.25	1.00	0.25	3.50	1.00	-	1/4-28UNFx0.75dp (4 plcs)
400-500LB	6.00	3.00	1.25	1.00	0.25	3.50	1.00	0.50	1/4-28UNFx0.75dp (8 plcs)
1K	6.00	3.00	1.75	1.00	0.25	3.50	1.50	1.00	5/16-24UNFx0.75dp (8 plcs)

### SPECIFICATIONS

Rated Output (mV/V)	2.00 +/- 10%	Input Impedance	385 +/- 10 ohms
Nonlinearity	+/- 0.03% FS	Output Impedance	350 +/- 3 ohms
Hysteresis	+/- 0.02% FS	Insulation Resistance	5000 Megohms
Repeatability	+/- 0.02% FS	Excitation Voltage	10V AC/DC (20V Max)
Creep (30 minutes)	+/- 0.03% FS	Compensated Temperature Range	-10°C - +40°C
Zero Balance	+/- 1.00% FS	Operating Temperature Range	-20°C - +60°C
Temperature Effect on Zero	+/- 0.002% of rated output/°C	Safe Overload	150% FS
Temperature Effect on Output	+/- 0.001% of applied load/°C	Cable Length	10' Standard Cable
Cable Color Code	Input Green +Excitation Black -Excitation	Output White +Signal Red -Signal	Seal Type Max Platform Size:
			Environmentally Sealed, Potted, IP67
			25 - 500 lb: 508X508 mm
			1000 lb: 762X762 mm

# CG-22

▶ **SINGLE POINT**

▶ **ALUMINUM**

Environmentally Sealed

NTEP 1: 5,000 Class III Single Cell

Coti Global Sensors • 5699 Highway 53 Harvest, Alabama 35749 • Toll Free: 1-866-762-COTI(2684) • Fax: 256-852-9903 • www.cotiglobal.com



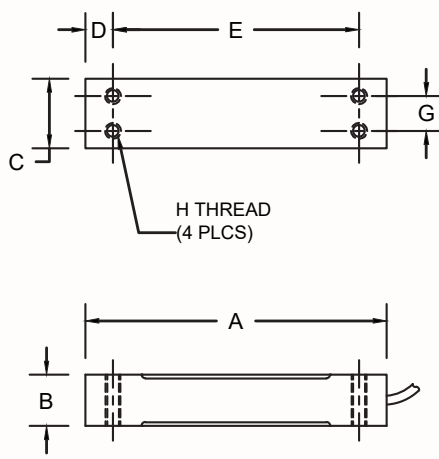
## CG-22 ORDER INFORMATION DISCOUNT C SUGGESTED LIST PRICE

*3 KG	\$ 141.75
*5 KG	\$ 141.75
*6 KG	\$ 141.75
*7 KG	\$ 141.75
10 KG	\$ 141.75
15 KG	\$ 141.75
20 KG	\$ 141.75
30 KG	\$ 141.75
60 KG	\$ 141.75
75 KG	\$ 141.75
100 KG	\$ 141.75
* NON-NTEP	

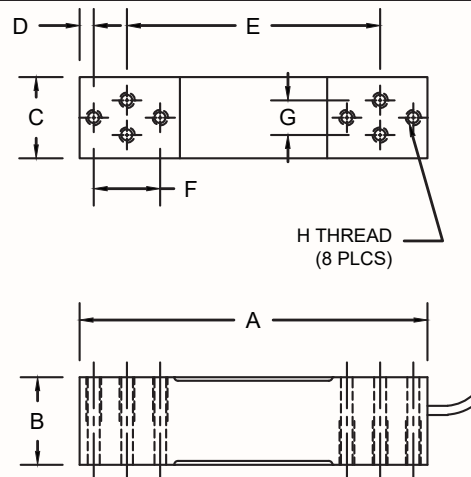
## INTERCHANGEABLE PRODUCTS

Artech.....	61022
BLH .....	C2G1
Celtron.....	LPS
Fairbanks .....	4900 Series
HBM.....	PW6K
HBM.....	PW6C 5kg - 30kg
NMB .....	C2G1
Rice Lake Weighing Systems.....	RL1521A
Tedea.....	1022

Main Dimensions and Accessories



3 KG to 30KG



60KG to 100KG

RATED CAPACITY	DIMENSIONS							
	A	B	C	D	E	F	G	H
3KG	2.76	0.87	0.59	0.24	2.28	-	0.28	M3
5KG-30KG	5.12	0.87	1.18	0.47	4.17	-	0.59	M6
60KG-100KG	5.91	1.57	1.38	0.28	4.61	0.75	0.59	M6

## ▶ SPECIFICATIONS ◀

Rated Output (mV/V)	2.00 +/- 10%	Input Impedance	410 +/- 10 ohms
Nonlinearity	+/- 0.02% FS	Output Impedance	350 +/- 3 ohms
Hysteresis	+/- 0.02% FS	Insulation Resistance	5000 Megohms
Repeatability	+/- 0.02% FS	Excitation Voltage	10V AC/DC (20V Max)
Creep (30 minutes)	+/- 0.03% FS	Compensated Temperature Range	-10°C - +40°C
Zero Balance	+/- 1.00% FS	Operating Temperature Range	-20°C - +60°C
Temperature Effect on Zero	+/- 0.002% of rated output/°C	Safe Overload	150% FS
Temperature Effect on Output	+/- 0.001% of applied load/°C	Cable Length	10' Standard Cable
Cable Color Code	Input	Output	Seal Type
	Green +Excitation	White +Signal	Environmentally Sealed, IP67
	Black -Excitation	Red -Signal	Max Platform Size:
			350 X 350 mm

# CG-42

▶ SINGLE POINT

▶ ALUMINUM  
NTEP 1:5,000 Class III Single Cell

Coti Global Sensors • 5699 Highway 53 Harvest, Alabama 35749 • Toll Free: 1-866-762-COTI(2684) • Fax: 256-852-9903 • www.cotiglobal.com



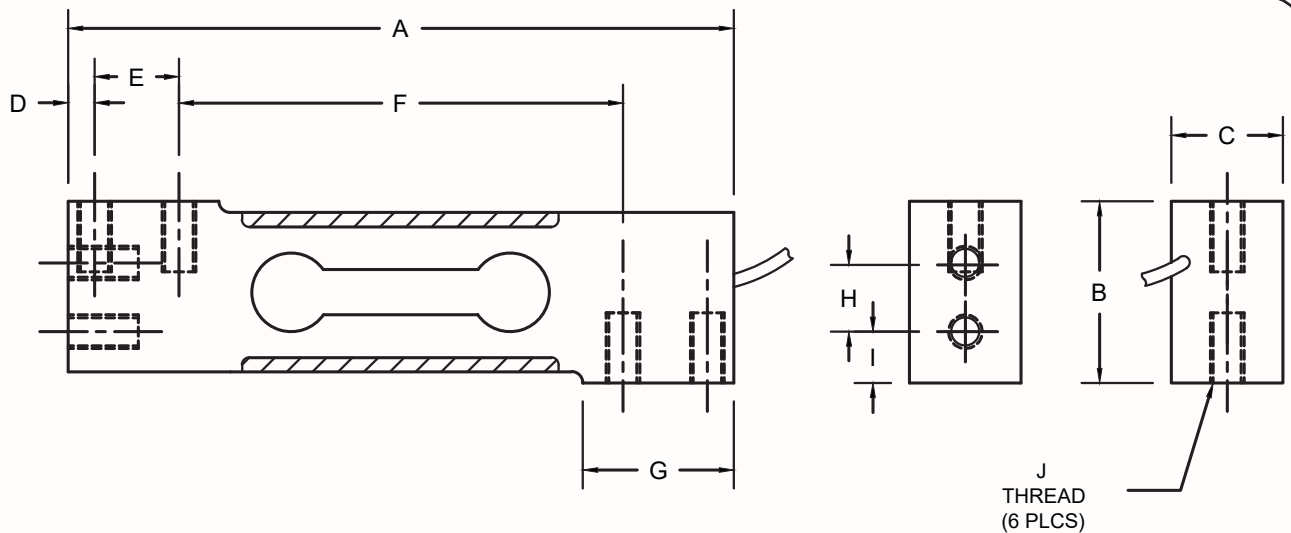
### CG-42 ORDER INFORMATION

	DISCOUNT C	SUGGESTED LIST PRICE
* 3 KG		\$185.00
* 5 KG		\$185.00
* 7 KG		\$185.00
10 KG		\$185.00
15 KG		\$185.00
20 KG		\$185.00
30 KG		\$185.00
50 KG		\$185.00
75 KG		\$185.00
*100 KG		\$185.00
*NON-NTEP		

### INTERCHANGEABLE PRODUCTS

Anyload.....	108TAUN
Artech.....	879
Cardinal.....	TSP
CAS.....	BCA
Flintec.....	PC 42
HBM.....	SP4
Rice Lake Weighing Systems.....	RL1042
Rice Lake Weighing Systems.....	RLSP4
Revere.....	642
Scaime.....	AG
Tedea.....	1042

Main Dimensions and Accessories



RATED CAPACITY	DIMENSIONS									
	A	B	C	D	E	F	G	H	I	J
3-30KG	5.91	1.575	.787	0.24	0.75	3.937	1.339	0.75	0.37	1/4-20UNCx0.44dp
50-100KG	5.91	1.575	.992	0.24	0.75	3.937	1.339	0.75	0.37	1/4-20UNCX0.44dp

## ▶ SPECIFICATIONS ◀

Rated Output (mV/V)	2.00 +/- 10%	Input Impedance	410 +/- 10 ohms
Nonlinearity	+/- 0.02% FS	Output Impedance	350 +/- 3 ohms
Hysteresis	+/- 0.02% FS	Insulation Resistance	5000 Megohms
Repeatability	+/- 0.02% FS	Excitation Voltage	10V AC/DC (20V Max)
Creep (30 minutes)	+/- 0.03% FS	Compensated Temperature Range	-10°C - +40°C
Zero Balance	+/- 1.00% FS	Operating Temperature Range	-20°C - +60°C
Temperature Effect on Zero	+/- 0.002% of rated output/°C	Safe Overload	150% FS
Temperature Effect on Output	+/- 0.001% of applied load/°C	Cable Length	10' 4 Conductor Cable
Cable Color Code		Seal Type	Environmentally Sealed, IP67
Input	Output	Max Platform Size:	400 X 400 mm
Green +Excitation	Red +Signal		
Black -Excitation	White -Signal		

# CG-42-SS

SINGLE POINT

STAINLESS STEEL

Coti Global Sensors • 5699 Highway 53 Harvest, Alabama 35749 • Toll Free: 1-866-762-COTI(2684) • Fax: 256-852-9903 • www.cotiglobal.com



### CG-42-SS ORDER INFORMATION

DISCOUNT C

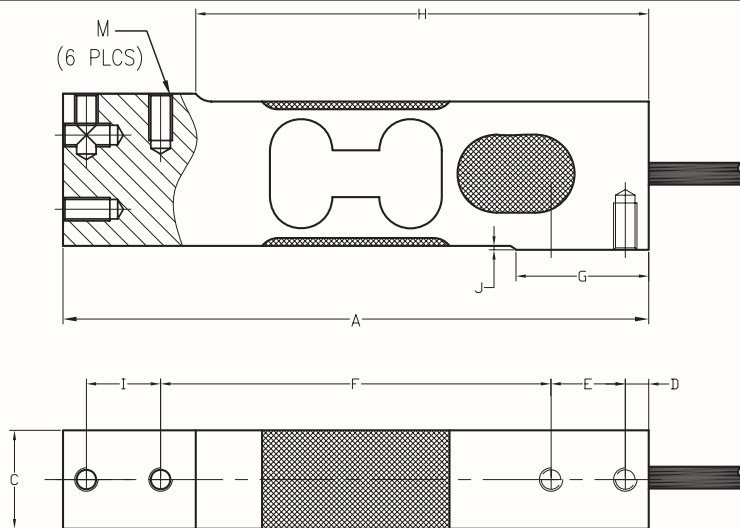
SUGGESTED LIST PRICE

10 KG		\$317.63
15 KG		\$317.63
20 KG		\$317.63
30 KG		\$317.63
50 KG		\$317.63
75 KG		\$317.63
100 KG		\$317.63
150 KG		\$317.63

### INTERCHANGEABLE PRODUCTS

HBM.....	PW15
Rice Lake Weighing Systems.....	RLPWM15
Tedea.....	1142

Main Dimensions and Accessories



RATED CAPACITY	DIMENSIONS												
	A	B	C	D	E	F	G	H	I	J	K	L	M
<10-30>KG	5.91	1.575	0.787	0.235	0.75	3.937	1.339	4.57	0.75	0.04	0.37	0.75	1/4-20UNCX0.5 ↓
<50-150>KG	5.91	1.575	0.992	0.235	0.75	3.937	1.339	4.57	0.75	0.04	0.37	0.75	1/4-20UNCX0.5 ↓

### SPECIFICATIONS

Rated Output (mV/V)	2.00 +/- 10%	Input Impedance	385+/- 10 ohms
Nonlinearity	+/- 0.02% FS	Output Impedance	350 +/- 3 ohms
Hysteresis	+/- 0.02% FS	Insulation Resistance	5000 Megohms
Repeatability	+/- 0.02% FS	Excitation Voltage	10V AC/DC (20V Max)
Creep (30 minutes)	+/- 0.03% FS	Compensated Temperature Range	-10°C - +40°C
Zero Balance	+/- 1.00% FS	Operating Temperature Range	-20°C - +60°C
Temperature Effect on Zero	+/- 0.002% of rated output/°C	Safe Overload	150% FS
Temperature Effect on Output	+/- 0.001% of applied load/°C	Cable Length	10' 4 Conductor Cable
Cable Color Code		Seal Type	Environmentally Sealed, IP67
Input	Output	Max Platform Size:	400 X 400 mm
Green +Excitation	Red +Signal		
Black -Excitation	White -Signal		



# CG-40

▶ SINGLE POINT

▶ ALUMINUM  
NTEP 1:5,000 Class III Single Cell

Coti Global Sensors • 5699 Highway 53 Harvest, Alabama 35749 • Toll Free: 1-866-762-COTI(2684) • Fax: 256-852-9903 • www.cotiglobal.com



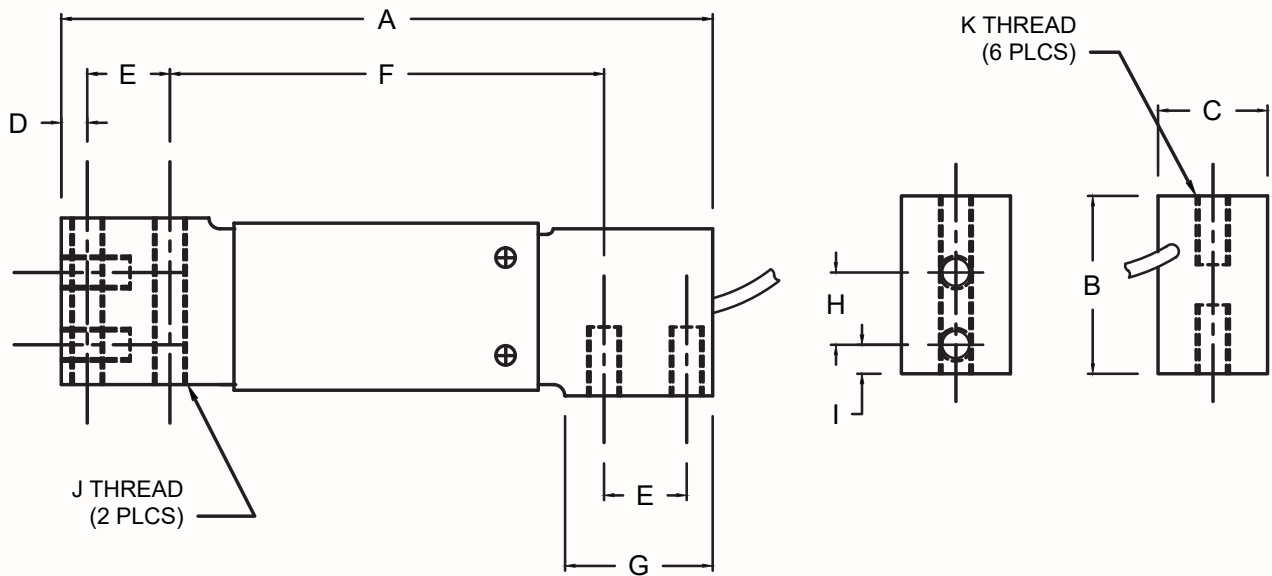
### CG-40 ORDER INFORMATION

	DISCOUNT C	SUGGESTED LIST PRICE
* 5 KG		\$ 192.00
* 7 KG		\$ 192.00
10 KG		\$ 192.00
15 KG		\$ 192.00
20 KG		\$ 192.00
30 KG		\$ 192.00
50 KG		\$ 192.00
75 KG		\$ 192.00
100 KG		\$ 192.00
*NON-NTEP		

### INTERCHANGEABLE PRODUCTS

Anyload.....	651TAUN
Celtron.....	LOC
Mettler Toledo.....	MT1041
Rice Lake Weighing Systems.....	RL1040
Tedea.....	1040
Totalcomp.....	TP40-A
Transcell.....	FAS
Zemic.....	L6N

Main Dimensions and Accessories



RATED CAPACITY	DIMENSIONS										
	A	B	C	D	E	F	G	H	I	J	K
5-100KG	5.91	1.57	1.03	0.24	0.75	3.94	1.339	0.75	0.37	1/4-28UNCx0.50dp	1/4-20UNFx0.50dp

### ▶ SPECIFICATIONS ◀

Rated Output (mV/V)	2.00 +/- 10%	Input Impedance	410 +/- 10 ohms
Nonlinearity	+/- 0.02% FS	Output Impedance	350 +/- 3 ohms
Hysteresis	+/- 0.02% FS	Insulation Resistance	5000 Megohms
Repeatability	+/- 0.02% FS	Excitation Voltage	10V AC/DC (20V Max)
Creep (30 minutes)	+/- 0.03% FS	Compensated Temperature Range	-10°C - +40°C
Zero Balance	+/- 1.00% FS	Operating Temperature Range	-20°C - +60°C
Temperature Effect on Zero	+/- 0.002% of rated output/°C	Safe Overload	150% FS
Temperature Effect on Output	+/- 0.001% of applied load/°C	Cable Length	10' 4 Conductor Cable
Cable Color Code	Input Green +Excitation Black -Excitation	Output Red +Signal White -Signal	Seal Type Environmentally Sealed, Potted, IP67
		Max Platform Size:	400 X 400 mm

# CG-40-SS

▶ POTTED SINGLE POINT

▶ STAINLESS STEEL

Coti Global Sensors • 5699 Highway 53 Harvest, Alabama 35749 • Toll Free: 1-866-762-COTI(2684) • Fax: 256-852-9903 • www.cotiglobal.com



### CG-40-SS ORDER INFORMATION

DISCOUNT C

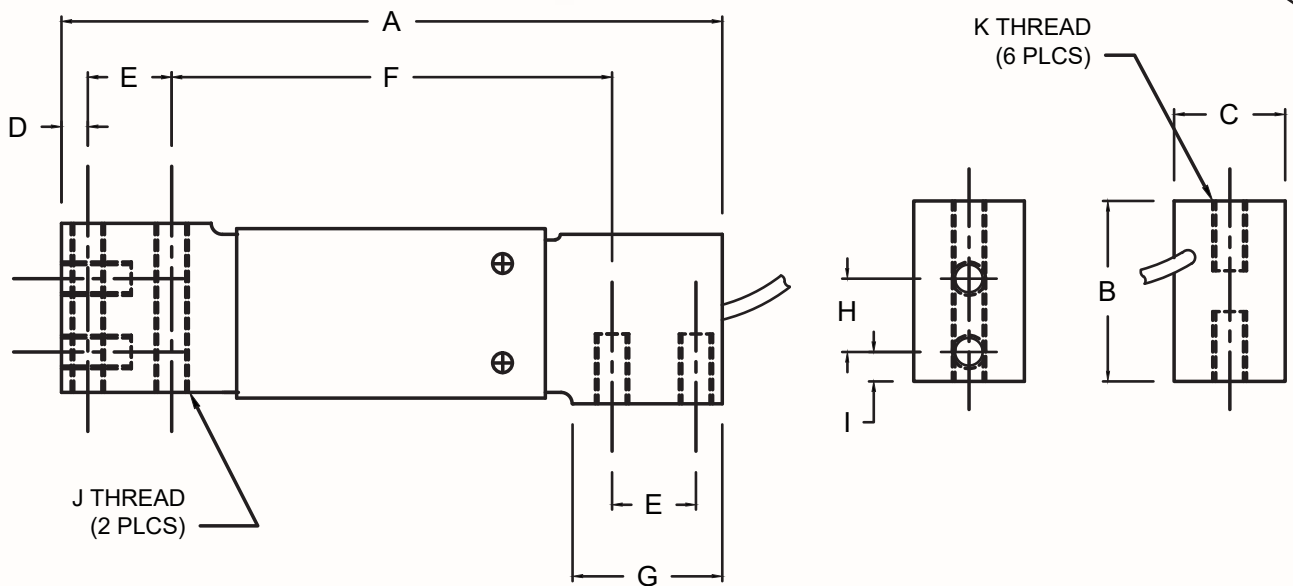
SUGGESTED LIST PRICE

10 KG	\$330.75
15 KG	\$330.75
20 KG	\$330.75
30 KG	\$330.75
50 KG	\$330.75
75 KG	\$330.75
100 KG	\$330.75
150 KG	\$330.75

### INTERCHANGEABLE PRODUCTS

Artech .....	SS60510
HBM.....	PW15AH
Rice Lake Weighing Systems.....	RL1140
Tedea.....	1140
Totalcomp.....	TP40-SS
Zemic.....	B6N

Main Dimensions and Accessories



RATED CAPACITY	DIMENSIONS										
	A	B	C	D	E	F	G	H	I	J	K
10-150KG	5.91	1.57	1.03	0.24	0.75	3.94	1.339	0.75	0.37	1/4-28UNCx0.50dp	1/4-20UNFx0.50dp

## SPECIFICATIONS

Rated Output (mV/V)	2.00 +/- 10%	Input Impedance	385 +/- 10 ohms
Nonlinearity	+/- 0.03% FS	Output Impedance	350 +/- 3 ohms
Hysteresis	+/- 0.02% FS	Insulation Resistance	5000 Megohms
Repeatability	+/- 0.02% FS	Excitation Voltage	10V AC/DC (20V Max)
Creep (30 minutes)	+/- 0.03% FS	Compensated Temperature Range	-10°C - +40°C
Zero Balance	+/- 1.00% FS	Operating Temperature Range	-20°C - +60°C
Temperature Effect on Zero	+/- 0.002% of rated output/°C	Safe Overload	150% FS
Temperature Effect on Output	+/- 0.001% of applied load/°C	Cable Length	10' 4 Conductor Cable
Cable Color Code	Input Green +Excitation Black -Excitation	Output Red +Signal White -Signal	Seal Type Environmentally Sealed, Potted, IP67
		Max Platform Size:	400 X 400 mm

# CG-50

▶ SINGLE POINT

▶ ALUMINUM  
NTEP 1:5,000 Class III Single Cell

Coti Global Sensors • 5699 Highway 53 Harvest, Alabama 35749 • Toll Free: 1-866-762-COTI(2684) • Fax: 256-852-9903 • www.cotiglobal.com



## CG-50 ORDER INFORMATION

	DISCOUNT C	SUGGESTED LIST PRICE
50 KG, 75 KG, 100 KG, 150 KG, 200 KG		\$ 325.50
250 KG		\$ 325.50
300 KG		\$ 325.50
500 KG		\$ 325.50
*635 KG		\$ 325.50
*1000 KG		\$ 325.50

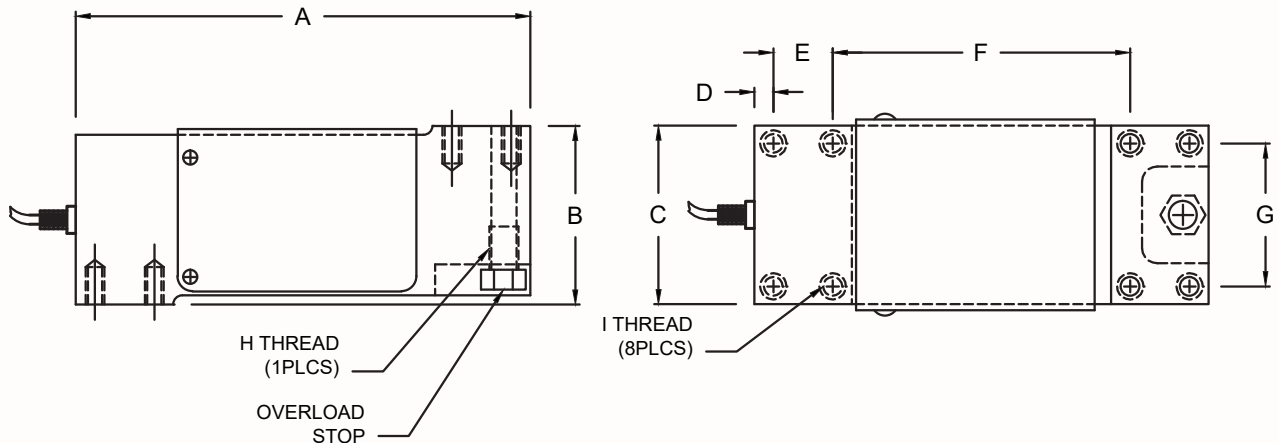
\* NON-NTEP

## INTERCHANGEABLE PRODUCTS

Anyload.....	108UAUN
Artech.....	60410
*Cardinal.....	CHB
CAS.....	BCM
Celtron.....	LOC
HBM.....	PW12
Revere.....	652
Rice Lake Weighing Systems.....	RL1250
Rice Lake Weighing Systems.....	RLPWM12
Tedea-Huntleigh.....	1250
Transcell.....	FAY
Vishay Sensortronics.....	60060

\*denotes M8 threads

Main Dimensions and Accessories



RATED CAPACITY	DIMENSIONS								
	A	B	C	D	E	F	G	H	I
50 to 1000KG	7.52	2.95	2.95	0.31	0.98	4.92	2.36	1/2-20UNFx0.50dp	5/16-18UNCx0.62dp

## SPECIFICATIONS

Rated Output (mV/V)	2.00 +/- 10%	Input Impedance	410 +/- 10 ohms
Nonlinearity	+/- 0.02% FS	Output Impedance	350 +/- 3 ohms
Hysteresis	+/- 0.02% FS	Insulation Resistance	5000 Megohms
Repeatability	+/- 0.02% FS	Excitation Voltage	10V AC/DC (20V Max)
Creep (30 minutes)	+/- 0.03% FS	Compensated Temperature Range	0°C - 30°C
Zero Balance	+/- 1.00% FS	Operating Temperature Range	-20°C - +60°C
Temperature Effect on Zero	+/- 0.002% of rated output/°C	Safe Overload	150% FS
Temperature Effect on Output	+/- 0.001% of applied load/°C	Cable Length	10' 4 Conductor Cable
Cable Color Code	Input Green +Excitation Black -Excitation	Output White +Signal Red -Signal	Seal Type Environmentally Sealed, Potted, IP67
			Max Platform Size: 50kg-500kg: 600 X 600mm/24" X 24" 635kg-1000kg: 600 X 600mm/24" X 24"

# CG-50-SS

▶ SINGLE POINT

▶ STAINLESS STEEL

Coti Global Sensors • 5699 Highway 53 Harvest, Alabama 35749 • Toll Free: 1-866-762-COTI(2684) • Fax: 256-852-9903 • www.cotiglobal.com



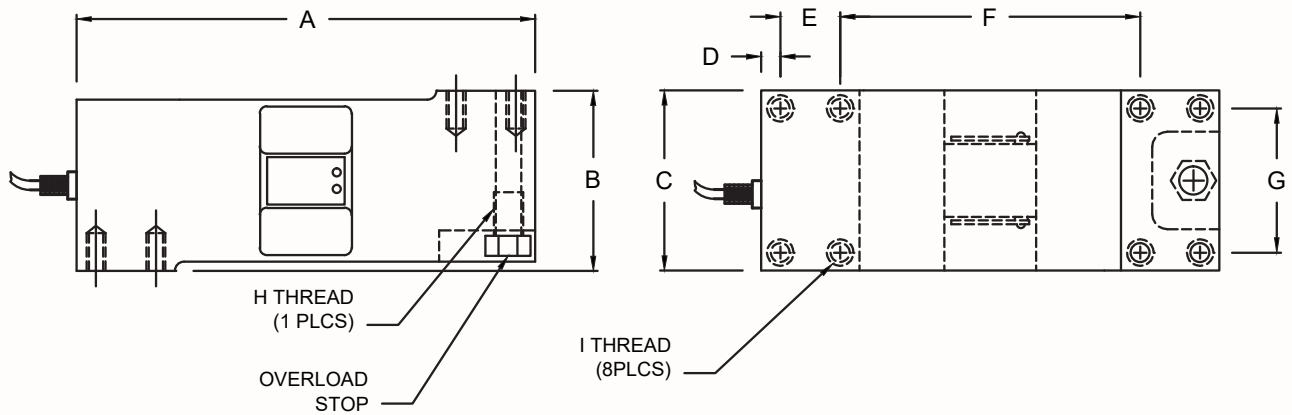
## CG-50-SS ORDER INFORMATION DISCOUNT C SUGGESTED LIST PRICE

50 KG, 75 KG, 100 KG, 150 KG, 200 KG	\$ 866.25
250 KG	\$ 866.25
300 KG	\$ 866.25
500 KG	\$ 866.25
635 KG	\$ 866.25
1000 KG	\$ 866.25

## INTERCHANGEABLE PRODUCTS

Artech.....	60410
CAS.....	BCM
Celtron.....	LOC
Flintec.....	PCB
HBM.....	PW12
Revere .....	652
Rice Lake Weighing Systems.....	RL1250
Rice Lake Weighing Systems.....	RLPWM12
Tedea-Huntleigh.....	1250
Transcell.....	FAY

Main Dimensions and Accessories



RATED CAPACITY	DIMENSIONS									
	A	B	C	D	E	F	G	H	I	
50 to 1000KG	7.52	2.95	2.95	0.31	0.98	4.92	2.36	1/2-20UNFx0.50dp	5/16-18UNCx0.62dp	

## ▶ SPECIFICATIONS ◀

Rated Output (mV/V)	2.00 +/- 10%	Input Impedance	410 +/- 10 ohms
Nonlinearity	+/- 0.02% FS	Output Impedance	350 +/- 3 ohms
Hysteresis	+/- 0.02% FS	Insulation Resistance	5000 Megohms
Repeatability	+/- 0.02% FS	Excitation Voltage	10V AC/DC (20V Max)
Creep (30 minutes)	+/- 0.03% FS	Compensated Temperature Range	-10°C - 40°C
Zero Balance	+/- 1.00% FS	Operating Temperature Range	-20°C - +60°C
Temperature Effect on Zero	+/- 0.002% of rated output/°C	Safe Overload	150% FS
Temperature Effect on Output	+/- 0.001% of applied load/°C	Cable Length	10' 4 Conductor Cable
Cable Color Code	Input Green +Excitation Black -Excitation	Output White +Signal Red -Signal	Seal Type Max Platform Size:
			Environmentally Sealed, Potted, IP67
			50kg-500kg: 600 X 600mm/24" X 24"
			635kg-1000kg: 600 X 600mm/24" X 24"

# CG-50-1

▶ SINGLE POINT

▶ ALUMINUM  
NTEP 1:5,000 Class III Single Cell

Coti Global Sensors • 5699 Highway 53 Harvest, Alabama 35749 • Toll Free: 1-866-762-COTI(2684) • Fax: 256-852-9903 • www.cotiglobal.com



## CG-50-1 ORDER INFORMATION

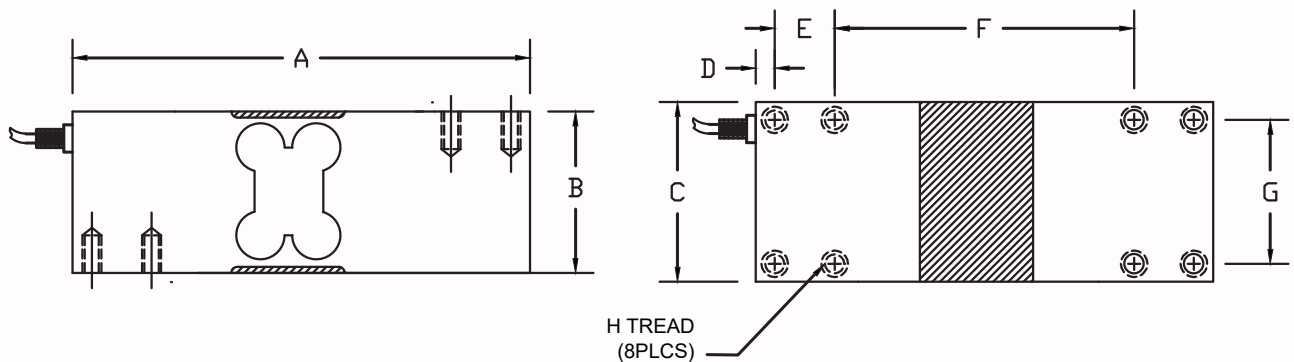
	DISCOUNT C	SUGGESTED LIST PRICE
50 KG, 75 KG, 100 KG, 150 KG, 200 KG		\$ 288.75
250 KG		\$ 288.75
300 KG		\$ 288.75
500 KG		\$ 288.75
*635 KG		\$ 288.75

\* NON-NTEP

## INTERCHANGEABLE PRODUCTS

Anyload.....	108MAUN
HBM.....	PW16
Mettler Toledo.....	MT1260
Rice Lake Weighing Systems.....	RL1260
Rice Lake Weighing Systems.....	RLPWM16
Tedea.....	1260
Tedea.....	1260S
Zemic.....(Note: Zemic model has M8 threads).....	L6W

Main Dimensions and Accessories



RATED CAPACITY	DIMENSIONS							
	A	B	C	D	E	F	G	H
50-635KG	7.40	2.45	2.49	0.22	1.38	4.21	1.97	5/16-18UNCx0.62dp

## SPECIFICATIONS

Rated Output (mV/V)	2.00 +/- 10%	Input Impedance	410 +/- 10 ohms
Nonlinearity	+/- 0.02% FS	Output Impedance	350 +/- 3 ohms
Hysteresis	+/- 0.02% FS	Insulation Resistance	5000 Megohms
Repeatability	+/- 0.02% FS	Excitation Voltage	10V AC/DC (20V Max)
Creep (30 minutes)	+/- 0.03% FS	Compensated Temperature Range	0°C - 30°C
Zero Balance	+/- 1.00% FS	Operating Temperature Range	-20°C - +60°C
Temperature Effect on Zero	+/- 0.002% of rated output/°C	Safe Overload	150% FS
Temperature Effect on Output	+/- 0.001% of applied load/°C	Cable Length	10' Standard Cable
Cable Color Code	Input	Output	Seal Type
	Red +Excitation	Green +Signal	Environmentally Sealed, IP67
	Black -Excitation	White -Signal	Max Platform Size:
			600 X 600mm/24" X 24"

# CG-50-2

▶ SINGLE POINT

▶ ALUMINUM

NTEP 1:5000 Class III Single Cell

Coti Global Sensors • 5699 Highway 53 Harvest, Alabama 35749 • Toll Free: 1-866-762-COTI(2684) • Fax: 256-852-9903 • www.cotiglobal.com



## CG-50-2 ORDER INFORMATION

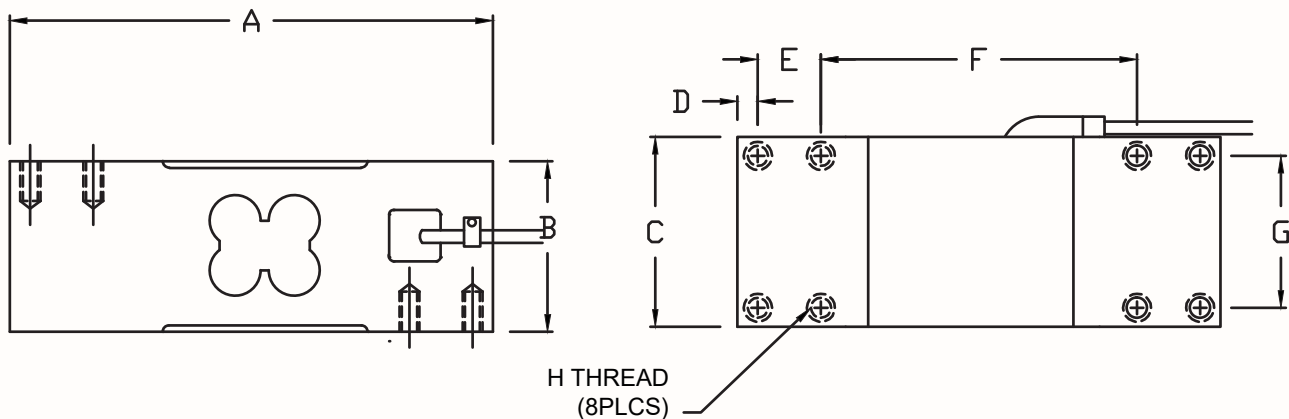
	DISCOUNT C	SUGGESTED LIST PRICE
50 KG		\$ 288.75
100 KG		\$ 288.75
150 KG		\$ 288.75
200 KG		\$ 288.75
250 KG		\$ 288.75
300 KG		\$ 288.75
500 KG		\$ 288.75
* 635 KG		\$ 288.75

\* NON-NTEP

## INTERCHANGEABLE PRODUCTS

Anyload.....	108CA
HBM.....	PW24
Tedea.....	1263
Transcell.....	FAV
Zemic.....	L6G

Main Dimensions and Accessories



RATED CAPACITY	DIMENSIONS							
	A	B	C	D	E	F	G	H
50-635kg	6.85	2.56	2.36	0.28	0.75	4.80	1.18	M8x1.25x0.79dp

## ▶ SPECIFICATIONS ◀

Rated Output (mV/V)	2.00 +/- 10%	Input Impedance	410 +/- 10 ohms
Nonlinearity	+/- 0.02% FS	Output Impedance	350 +/- 3 ohms
Hysteresis	+/- 0.02% FS	Insulation Resistance	5000 Megohms
Repeatability	+/- 0.02% FS	Excitation Voltage	10V AC/DC (20V Max)
Creep (30 minutes)	+/- 0.03% FS	Compensated Temperature Range	0°C - 30°C
Zero Balance	+/- 1.00% FS	Operating Temperature Range	-20°C - +60°C
Temperature Effect on Zero	+/- 0.002% of rated output/°C	Safe Overload	150% FS
Temperature Effect on Output	+/- 0.001% of applied load/°C	Cable Length	10', 4 Conductor
Cable Color Code	Input Green +Excitation Black -Excitation	Output White +Signal Red -Signal	Seal Type Environmentally Sealed
		Max Platform Size:	600 X 600mm/24" X 24"

# CG-MK4

▶ SINGLE POINT

▶ STAINLESS STEEL

Coti Global Sensors • 5699 Highway 53 Harvest, Alabama 35749 • Toll Free: 1-866-762-COTI(2684) • Fax: 256-852-9903 • www.cotiglobal.com



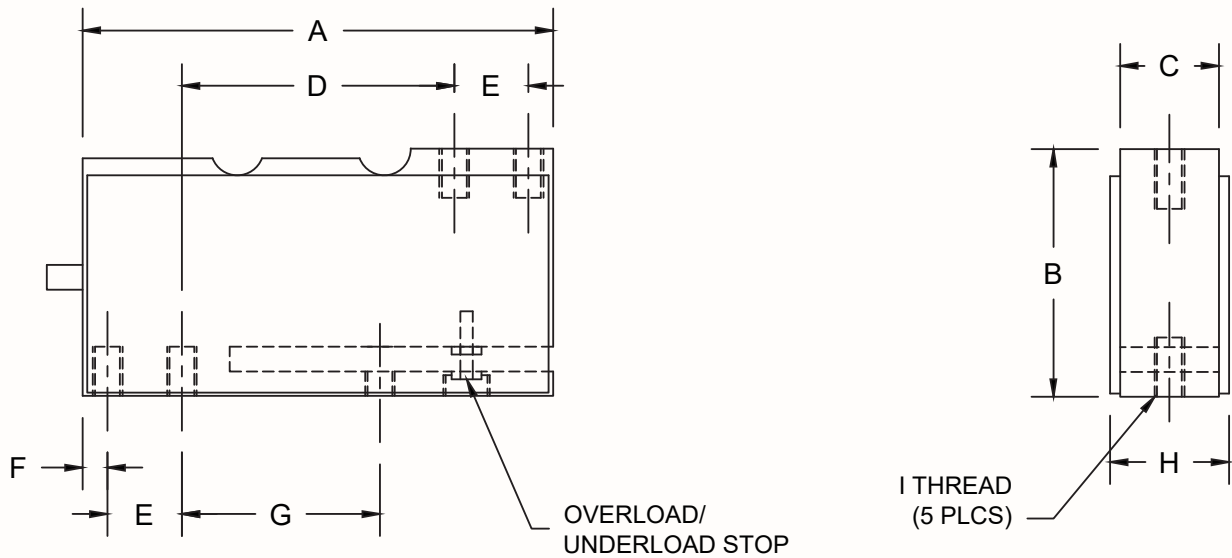
### CG-MK4 ORDER INFORMATION

	DISCOUNT C	SUGGESTED LIST PRICE
10 lb		\$ 554.40
15 lb		\$ 554.40
25 lb		\$ 554.40
30 lb		\$ 554.40
50 lb		\$ 554.40
100 lb		\$ 554.40

### INTERCHANGEABLE PRODUCTS

Artech .....	SS61010
NCI .....	Mark IV
Rice Lake Weighing Systems.....	RLMK4
Weigh-Tronix .....	Mark IV

Main Dimensions and Accessories



RATED CAPACITY	DIMENSIONS								
	A	B	C	D	E	F	G	H	I
10lb-100lb	4.75	2.50	1.00	2.75	0.75	0.25	2.00	1.26	1/4-20UNCx0.50dp

### ▶ SPECIFICATIONS ◀

Rated Output (mV/V)	2.00 +/- 10%	Input Impedance	385 +/- 10 ohms
Nonlinearity	+/- 0.03% FS	Output Impedance	350 +/- 3 ohms
Hysteresis	+/- 0.02% FS	Insulation Resistance	5000 Megohms
Repeatability	+/- 0.02% FS	Excitation Voltage	10V AC/DC (20V Max)
Creep (30 minutes)	+/- 0.03% FS	Compensated Temperature Range	-10°C - +40°C
Zero Balance	+/- 1.00% FS	Operating Temperature Range	-20°C - +60°C
Temperature Effect on Zero	+/- 0.002% of rated output/°C	Safe Overload	150% FS
Temperature Effect on Output	+/- 0.001% of applied load/°C	Cable Length	10' Standard Cable
Cable Color Code	Input	Output	Seal Type
	Green +Excitation	White +Signal	Environmentally Sealed, Potted, IP67
	Black -Excitation	Red -Signal	



# CG-MK21

▶ SINGLE POINT

▶ STAINLESS STEEL

Coti Global Sensors • 5699 Highway 53 Harvest, Alabama 35749 • Toll Free: 1-866-762-COTI(2684) • Fax: 256-852-9903 • www.cotiglobal.com



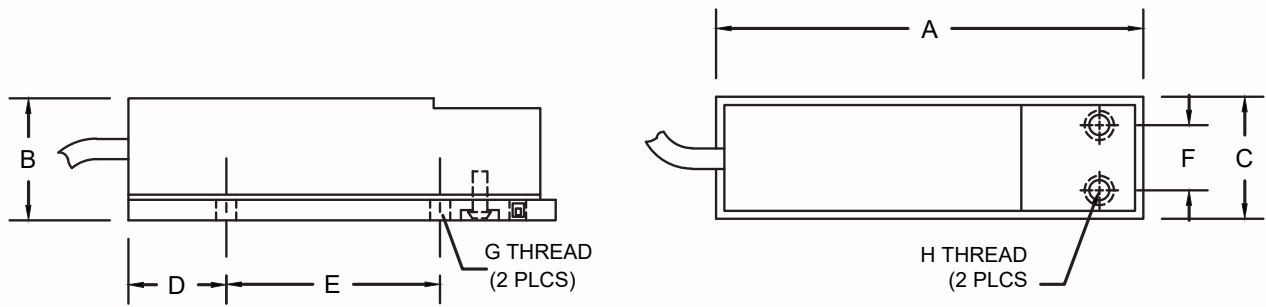
### CG-MK21 ORDER INFORMATION DISCOUNT C SUGGESTED LIST PRICE

4.5 KG	\$ 571.73
7.5 KG	\$ 571.73
18 KG	\$ 571.73
35 KG	\$ 571.73
50 KG	\$ 571.73

### INTERCHANGEABLE PRODUCTS

NCI.....	3270 Series Checkweigher
Rice Lake Weighing Systems.....	RLMK21
Weigh-Tronix .....	3270 Series Checkweigher

Main Dimensions and Accessories



RATED CAPACITY	DIMENSIONS							
	A	B	C	D	E	F	G	H
4.5-50KG	5.25	1.50	1.50	1.20	2.63	0.60	1/4-28UNF	1/4-20UNFx0.50dp

### ▶ SPECIFICATIONS ◀

Rated Output (mV/V)	2.00 +/- 10%	Input Impedance	385 +/- 10 ohms
Nonlinearity	+/- 0.03% FS	Output Impedance	350 +/- 3 ohms
Hysteresis	+/- 0.02% FS	Insulation Resistance	5000 Megohms
Repeatability	+/- 0.02% FS	Excitation Voltage	10V AC/DC (20V Max)
Creep (30 minutes)	+/- 0.03% FS	Compensated Temperature Range	-10°C - +40°C
Zero Balance	+/- 1.00% FS	Operating Temperature Range	-20°C - +60°C
Temperature Effect on Zero	+/- 0.002% of rated output/°C	Safe Overload	150% FS
Temperature Effect on Output	+/- 0.001% of applied load/°C	Cable Length	10' Standard Cable
Cable Color Code	Input Green +Excitation Black -Excitation	Output White +Signal Red -Signal	Seal Type Environmentally Sealed, IP67
		Max Platform Size:	400 X 400 mm

# CG-FLS

▶ SINGLE POINT

▶ STAINLESS STEEL

NTEP 1:5000 Class III Single Cell

Coti Global Sensors • 5699 Highway 53 Harvest, Alabama 35749 • Toll Free: 1-866-762-COTI(2684) • Fax: 256-852-9903 • www.cotiglobal.com



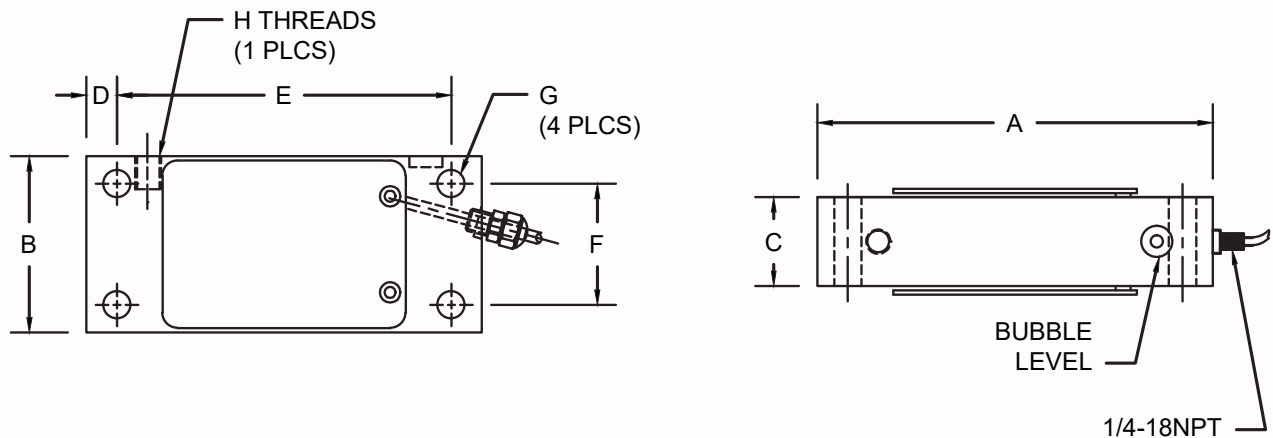
### CG-FLS ORDER INFORMATION

CG-FLS ORDER INFORMATION	DISCOUNT C	SUGGESTED LIST PRICE
50 lb		\$ 635.25
125 lb		\$ 635.25
250 lb		\$ 635.25
* 625 lb		\$ 866.25
* NON-NTEP		

### INTERCHANGEABLE PRODUCTS

Rice Lake Weighing Systems.....	RL800WT
Weightronix.....	FLS
Weightronix.....	49098
Weightronix.....	49100

Main Dimensions and Accessories



RATED CAPACITY	DIMENSIONS							
	A	B	C	D	E	F	G	H
50lb	6.50	2.90	0.74	0.50	5.50	2.00	0.45	5/16-18UNCx0.50dp
125-250lb	6.50	2.90	1.46	0.50	5.50	2.00	0.45	5/16-18UNCx0.50dp
625lb	8.00	3.75	1.91	0.50	7.00	2.75	0.52	

### SPECIFICATIONS

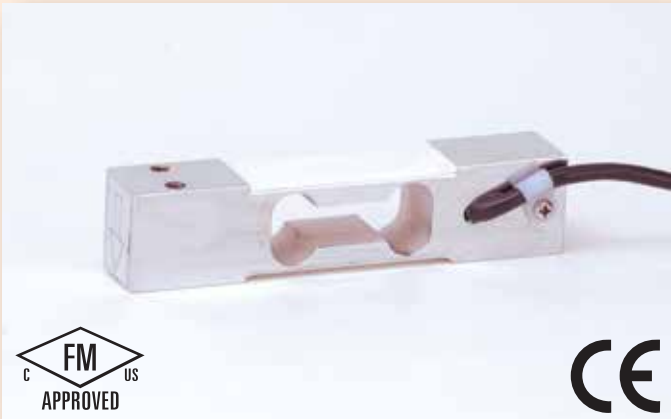
Rated Output (mV/V)	1.00 +/- 10%	Input Impedance	385 +/- 10 ohms
Nonlinearity	+/- 0.02% FS	Output Impedance	350 +/- 3 ohms
Hysteresis	+/- 0.02% FS	Insulation Resistance	5000 Megohms
Repeatability	+/- 0.02% FS	Excitation Voltage	10V AC/DC (20V Max)
Creep (30 minutes)	+/- 0.03% FS	Compensated Temperature Range	-10°C - +40°C
Zero Balance	+/- 1.00% FS	Operating Temperature Range	-20°C - +60°C
Temperature Effect on Zero	+/- 0.002% of rated output/°C	Safe Overload	150% FS
Temperature Effect on Output	+/- 0.001% of applied load/°C	Cable Length	10' Standard Cable
Cable Color Code	Input Green +Excitation Black -Excitation	Output White +Signal Red -Signal	Seal Type Environmentally Sealed, Potted, IP65
		Max Platform Size:	50 lb 457 x 457 mm 125 - 250 lb 609 x 609 mm 625 lb 609 x 762 mm

# CG-1130

▶ SINGLE POINT

▶ STAINLESS STEEL

Coti Global Sensors • 5699 Highway 53 Harvest, Alabama 35749 • Toll Free: 1-866-762-COTI(2684) • Fax: 256-852-9903 • www.cotiglobal.com



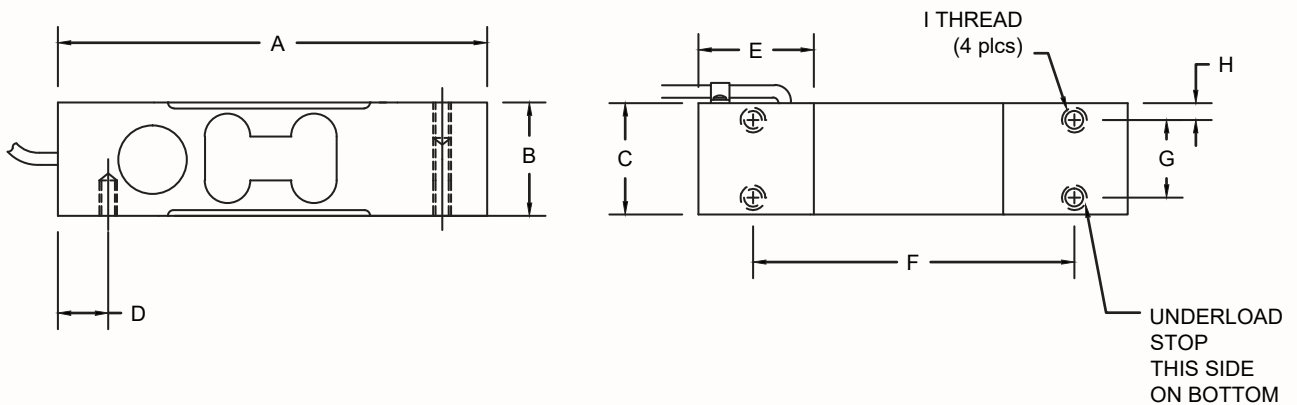
## CG-1130 ORDER INFORMATION

	DISCOUNT C	SUGGESTED LIST PRICE
7.5 KG		\$ 288.75
15 KG		\$ 288.75
30 KG		\$ 288.75
50 KG		\$ 288.75
100 KG		\$ 288.75

## INTERCHANGEABLE PRODUCTS

Tedea-Huntleigh.....	1130
Weigh-Tronix .....	MK29

Main Dimensions and Accessories



RATED CAPACITY	DIMENSIONS								
	A	B	C	D	E	F	G	H	I
7.5-100KG	5.31	1.18	0.98	0.57	1.37	4.17	0.59	0.19	1/4-20UNCx0.56dp

## SPECIFICATIONS

Rated Output (mV/V)	2.00 +/- 10%	Input Impedance	385 +/- 10 ohms
Nonlinearity	+/- 0.03% FS	Output Impedance	350 +/- 3 ohms
Hysteresis	+/- 0.02% FS	Insulation Resistance	5000 Megohms
Repeatability	+/- 0.02% FS	Excitation Voltage	10V AC/DC (20V Max)
Creep (30 minutes)	+/- 0.03% FS	Compensated Temperature Range	-10°C - +40°C
Zero Balance	+/- 1.00% FS	Operating Temperature Range	-20°C - +60°C
Temperature Effect on Zero	+/- 0.002% of rated output/°C	Safe Overload	150% FS
Temperature Effect on Output	+/- 0.001% of applied load/°C	Cable Length	10' Standard Cable
Cable Color Code	Input	Output	Seal Type
	Green +Excitation	White +Signal	Environmentally Sealed, IP67
	Black -Excitation	Red -Signal	Max Platform Size:
			400 X 400 mm

# CG-1241

▶ SINGLE POINT

▶ ALUMINUM

Coti Global Sensors • 5699 Highway 53 Harvest, Alabama 35749 • Toll Free: 1-866-762-COTI(2684) • Fax: 256-852-9903 • www.cotiglobal.com



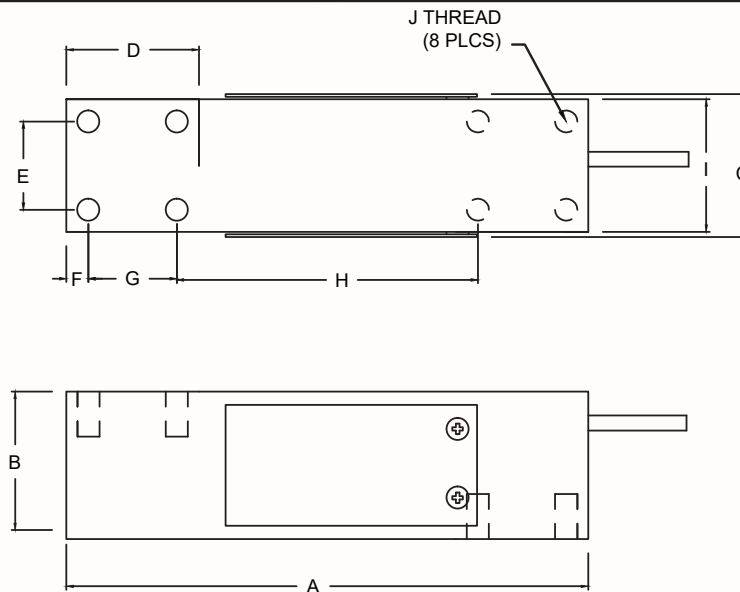
## CG-1241 ORDER INFORMATION

	DISCOUNT C	SUGGESTED LIST PRICE
50 KG		\$ 340.00
100 KG		\$ 340.00
150 KG		\$ 340.00
200 KG		\$ 340.00
250 KG		\$ 340.00

## INTERCHANGEABLE PRODUCTS

Tedea.....	1241
Totalcomp.....	T1241
Zemic.....	L6Q

Main Dimensions and Accessories



RATED CAPACITY	DIMENSIONS									
	A	B	C	D	E	F	G	H	I	J
50KG-250KG	5.91	1.57	1.71	1.50	1.00	0.25	1.00	3.41	1.50	1/4-20UNCx0.50dp

## ▶ SPECIFICATIONS ◀

Rated Output (mV/V)	2.00 +/- 10%	Input Impedance	385 +/- 10 ohms
Nonlinearity	+/- 0.03% FS	Output Impedance	350 +/- 3 ohms
Hysteresis	+/- 0.02% FS	Insulation Resistance	5000 Megohms
Repeatability	+/- 0.02% FS	Excitation Voltage	10V AC/DC (20V Max)
Creep (30 minutes)	+/- 0.03% FS	Compensated Temperature Range	-10°C - +40°C
Zero Balance	+/- 1.00% FS	Operating Temperature Range	-20°C - +60°C
Temperature Effect on Zero	+/- 0.002% of rated output/°C	Safe Overload	150% FS
Temperature Effect on Output	+/- 0.001% of applied load/°C	Cable Length	10' 6 Conductor Cable
Cable Color Code		Seal Type	Environmentally Sealed, IP67
Input	Output	Sense Leads	Max Platform Size:
Green +Excitation	White +Signal	Blue +Sense	390 X 390 mm
Black -Excitation	Red -Signal	Brown -Sense	

# CG-1240-SS

SINGLE POINT

STAINLESS STEEL

Coti Global Sensors • 5699 Highway 53 Harvest, Alabama 35749 • Toll Free: 1-866-762-COTI(2684) • Fax: 256-852-9903 • www.cotiglobal.com

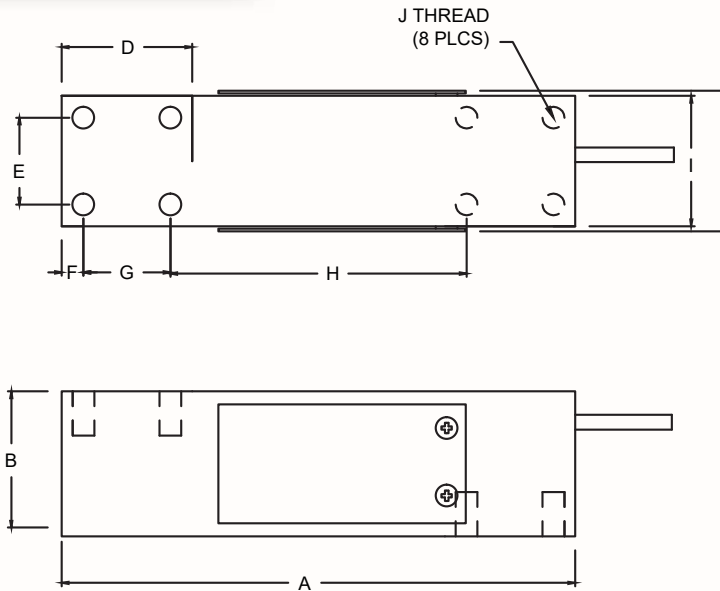


CG-1240-SS	ORDER INFORMATION	DISCOUNT C	SUGGESTED LIST PRICE
200 KG			\$ 404.25
250 KG			\$ 404.25

### INTERCHANGEABLE PRODUCTS

Tedea.....	1240
Zemic.....	B6Q

Main Dimensions and Accessories



RATED CAPACITY	DIMENSIONS									
	A	B	C	D	E	F	G	H	I	J
200KG-250KG	5.91	1.57	1.71	1.50	1.00	0.25	1.00	3.41	1.50	1/4-20UNCx0.50dp

### SPECIFICATIONS

Rated Output (mV/V)	2.00 +/- 10%	Input Impedance	385 +/- 10 ohms
Nonlinearity	+/- 0.03% FS	Output Impedance	350 +/- 3 ohms
Hysteresis	+/- 0.02% FS	Insulation Resistance	5000 Megohms
Repeatability	+/- 0.02% FS	Excitation Voltage	10V AC/DC (20V Max)
Creep (30 minutes)	+/- 0.03% FS	Compensated Temperature Range	-10°C - +40°C
Zero Balance	+/- 1.00% FS	Operating Temperature Range	-20°C - +60°C
Temperature Effect on Zero	+/- 0.002% of rated output/°C	Safe Overload	150% FS
Temperature Effect on Output	+/- 0.001% of applied load/°C	Cable Length	10' 6 Conductor Cable
Cable Color Code		Seal Type	Environmentally Sealed, IP67
Input	Output	Sense Leads	Max Platform Size:
Green +Excitation	White +Signal	Blue +Sense	390 X 390 mm
Black -Excitation	Red -Signal	Brown -Sense	

# CG-HPS

▶ SINGLE POINT

▶ STAINLESS STEEL  
Low Capacity

Coti Global Sensors • 5699 Highway 53 Harvest, Alabama 35749 • Toll Free: 1-866-762-COTI(2684) • Fax: 256-852-9903 • www.cotiglobal.com



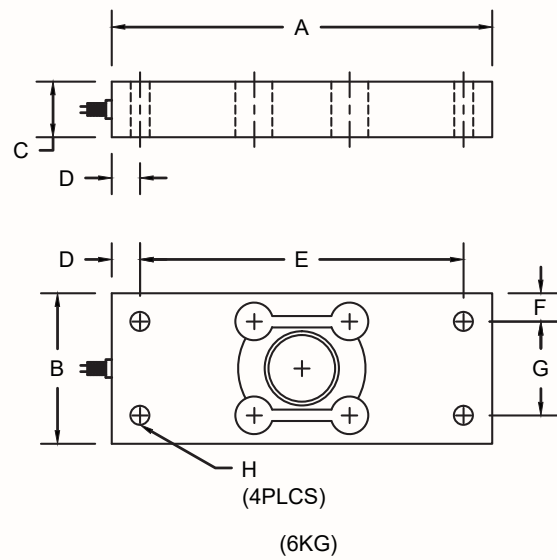
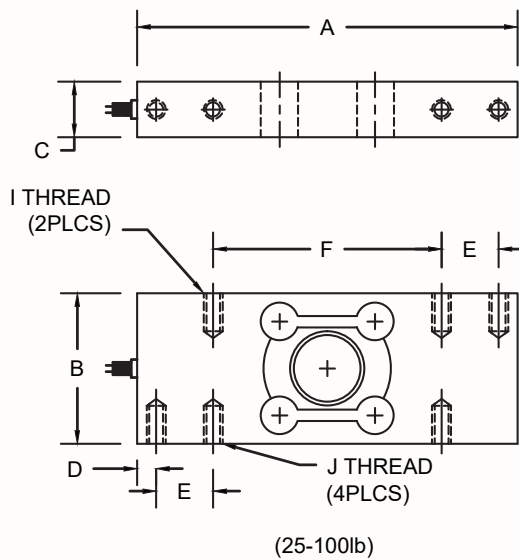
### CG-HPS ORDER INFORMATION

	DISCOUNT C	SUGGESTED LIST PRICE
6 KG		\$ 693.00
25 lb		\$ 693.00
50 lb		\$ 693.00
100 lb		\$ 895.13

### INTERCHANGEABLE PRODUCTS

Revere.....	HPS
Zemic.....	BM6A

Main Dimensions and Accessories



RATED CAPACITY	DIMENSIONS									
	A	B	C	D	E	F	G	H	I	J
6KG	5.00	1.98	0.73	0.37	4.25	0.37	1.25	0.25	-	-
25LB-50LB	5.00	1.98	0.73	0.25	0.75	3.00	-	-	10-24UNCx0.35dp	1/4-20UNCx0.35dp
100LB	5.00	1.98	0.94	0.25	0.75	3.00	-	-	10-24UNCx0.35dp	1/4-20UNCx0.35dp

### ← SPECIFICATIONS →

Rated Output (mV/V)	2.00 or 3.00 (KG version 2) +/- 10%		Input Impedance	385 +/- 10 ohms
Nonlinearity	+/- 0.03% FS		Output Impedance	350 +/- 3 ohms
Hysteresis	+/- 0.02% FS		Insulation Resistance	5000 Megohms
Repeatability	+/- 0.02% FS		Excitation Voltage	10V AC/DC (20V Max)
Creep (30 minutes)	+/- 0.03% FS		Compensated Temperature Range	-10°C - +40°C
Zero Balance	+/- 1.00% FS		Operating Temperature Range	-20°C - +60°C
Temperature Effect on Zero	+/- 0.002% of rated output/°C		Safe Overload	150% FS
Temperature Effect on Output	+/- 0.001% of applied load/°C		Cable Length	10' Standard Cable
Cable Color Code	Input	Output	Seal Type	Environmentally Sealed, IP67
	Green +Excitation	White +Signal	Max Platform Size:	254 x 254 mm
	Black -Excitation	Red -Signal		





# **RAIL LINES**

# CG-RXR

## RAIL LINES

Coti Global Sensors • 5699 Highway 53 Harvest, Alabama 35749 • Toll Free: 1-866-762-COTI(2684) • Fax: 256-852-9903 • www.cotiglobal.com



### CG-RXR ORDER INFORMATION

CG-RXR	ORDER INFORMATION	DISCOUNT C	SUGGESTED LIST PRICE
CG-RXR 90			\$ 4,800.00
CG-RXR 115			\$ 4,800.00
CG-RXR 132			\$ 4,800.00

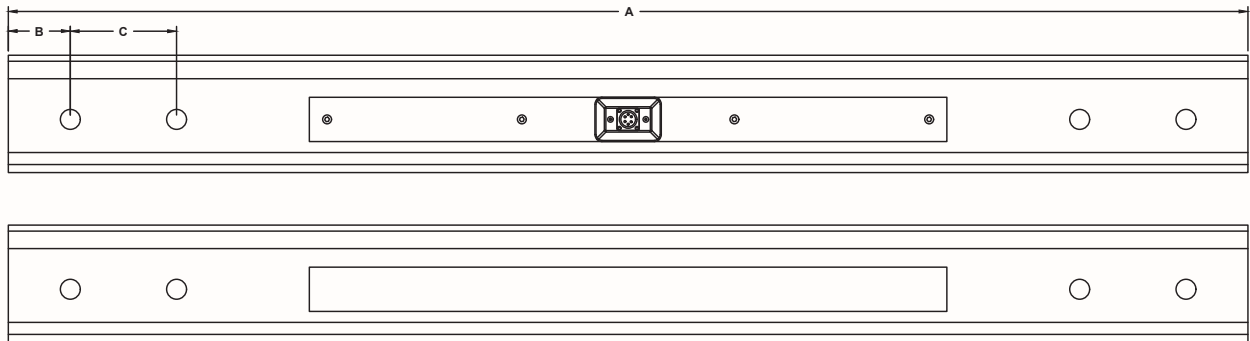
\*Each new rail line comes with 30' Cable + Connector Assembly

### ACCESSORY ORDER INFORMATION

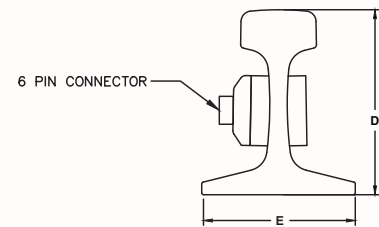
Part#	ACCESSORY ORDER INFORMATION	DISCOUNT E	SUGGESTED LIST PRICE
CG-RXR-CA-30...	Cable Assembly (6-Pin Female w/30' cable)		\$ 300.00

\*Additional cable assembly lengths available upon request

Main Dimensions and Accessories



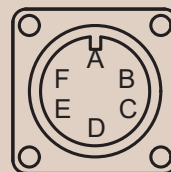
RATED CAPACITY	DIMENSIONS				
	A	B	C	D	E
CG-RXR-90	70.00	2.69	5.50	5.63	5.13
CG-RXR-115	70.00	3.50	6.00	6.63	5.50
CG-RXR-132	70.00	3.50	6.00	7.13	6.00



## SPECIFICATIONS

Input Resistance	760 +/- 10 ohms	
Output Resistance	700 +/- 5 ohms	
Excitation Voltage	10V AC/DC (15V Max)	
Cable Color Code	Input	Output
	Green +Excitation	White +Signal
	Black -Excitation	Red -Signal
	Braid/Yellow: Shield	

### 6 PIN CONNECTOR



- PIN A (- SIG)
- PIN B (+ EXC)
- PIN C (+ SIG)
- PIN D (- EXC)
- PIN E (SHIELD)
- PIN F (BLANK)

# **FLOOR SCALES**



# FLOOR SCALES

▶ STEEL BASES

▶ HEAVY DUTY CARBON STEEL

Coti Global Sensors • 5699 Highway 53 Harvest, Alabama 35749 • Toll Free: 1-866-762-COTI(2684) • Fax: 256-852-9903 • www.cotiglobal.com



## Features:

- Four NTEP & FM Approved - load cells
- 1/4" Deck Plate
- Rugged Carbon Steel diamond safety tread plate steel deck
- Four adjustable captive ball bearing feet
- Signal Trim summing board housed in ABS enclosure
- Powder Coated finish

## FLOOR SCALE BASES

## Carbon Steel Floor Scales

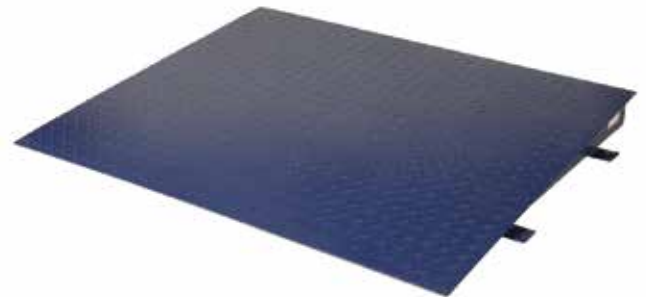
ORDER INFORMATION	DISCOUNT C	SUGGESTED LIST PRICE
CG-FS 4' x 4' 1K	(4.25" min. - 4.75" max.)	\$ 981.75
CG-FS 4' x 4' 2K	(4.25" min. - 4.75" max.)	\$ 981.75
CG-FS 4' x 4' 5K	(4.25" min. - 4.75" max.)	\$ 981.75
CG-FS 4' x 4' 10K	(4.25" min. - 4.75" max.)	\$ 981.75



## OPTIONS

## Carbon Steel Ramp

ORDER INFORMATION	DISCOUNT C	SUGGESTED LIST PRICE
CGR-4' x 3' x 4.33"	Ramp	\$ 404.25
CGR-4' x 4' x 4.33"	Ramp	\$ 490.88



## FOOT RETAINERS

ORDER INFORMATION	DISCOUNT G	SUGGESTED LIST PRICE
FR-2.625	opening size 2.625" - foot size 2.5"	\$ 17.33



## APPLICATIONS:

- Pallet Weighing or Parts Counting Systems
- Shipping or Receiving Verifications
- Drive-on / Drive-off Weighing
- Food and Chemical Processing
- Rental Scales
- Drum, Keg, or Barrel Weighing
- Tank Scales or Batching Systems
- Portable Counting or Weighing Solutions

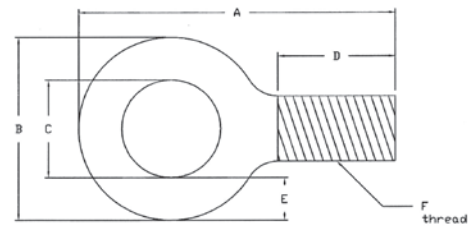


# **HARDWARE and ACCESSORIES**



# ► Hardware and Accessories

Coti Global Sensors • 5699 Highway 53 Harvest, Alabama 35749 • Toll Free: 1-866-762-COTI(2684) • Fax: 256-852-9903 • www.cotiglobal.com



## Load Cell Eye Bolts - Forged Steel - One jam nut included with each eye bolt

ORDER INFORMATION						DISCOUNT E	SUGGESTED	
Part #	A	B	C	D	E	F	* Safe Working Load	List Price
EB1428	2.25	1.25	0.75	1.00	0.25	1/4-28UNF	500 lb	\$ 23.10
EB3816	2.91	1.66	1.00	1.25	0.33	3/8-16UNC	1,300 lb	\$ 23.10
EB3824	2.91	1.66	1.00	1.25	0.33	3/8-24UNF	1,300 lb	\$ 23.10
EB1213	3.56	2.06	1.19	1.50	0.44	1/2-13UNC	2,400 lb	\$ 23.10
EB1220	3.56	2.06	1.19	1.50	0.44	1/2-20UNF	2,400 lb	\$ 23.10
EB3410	4.81	2.81	1.50	2.00	0.66	3/4-10UNC	5,000 lb	\$ 57.75
EB3416	4.81	2.81	1.50	2.00	0.66	3/4-16UNF	5,000 lb	\$ 69.30
EB1-12	6.06	3.56	1.81	2.50	0.87	1-12UNF	9,000 lb	\$103.95
EB1-14	6.06	3.56	1.81	2.50	0.87	1-14UNF	9,000 lb	\$138.60
EB1 1/4-12	7.44	4.44	2.19	3.00	1.12	1 1/4-12UNF	15,000 lb	\$138.60
EB1 1/2-12	8.75	5.18	2.50	3.50	1.38	1 1/2-12UNF	21,000 lb	\$173.25
EB 2-12	11.88	6.90	3.25	4.00	1.81	2-12UNF	38,000 lb	\$404.25

\* Do not exceed the safe working load

# ► Hardware and Accessories

Coti Global Sensors • 5699 Highway 53 Harvest, Alabama 35749 • Toll Free: 1-866-762-COTI(2684) • Fax: 256-852-9903 • www.cotiglobal.com



## Bonding Strap

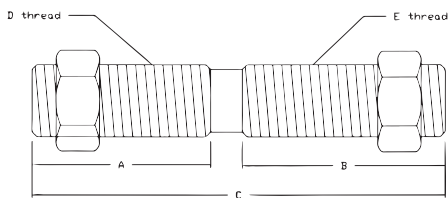
Tinned copper braid. Crimped sleeve on ends with .25" hole.

ORDER INFORMATION		DISCOUNT C	SUGGESTED
Part #	Length Inches		List Price
B612	12		\$ 10.40
B616	16		\$ 12.71
B624	24		\$ 13.86



## Threaded Adapters

ORDER INFORMATION		DISCOUNT E			SUGGESTED		
Part #	A	B	C	D	E	Safe Load	List Price
TAS-1428			2.00	1/4-28 NF	1/4-28 NF	300 lb	\$ 23.10
TAS-1428-1420	0.94	0.94	2.00	1/4-28 NF	1/4-20 NC	300 lb	\$ 28.88
TAS-1428-3824	0.92	1.02	2.12	1/4-28 NF	3/8-24 NF	300 lb	\$ 28.88
TAS-1428-3816	0.94	0.94	2.12	1/4-28 NF	3/8-16 NC	300 lb	\$ 28.88
TAS-1420-3816	1.06	1.06	2.12	1/4-20 NC	3/8-16 NC	300 lb	\$ 28.88
TAS-1420-3824	1.06	1.06	2.12	1/4-20 NC	3/8-24 NC	300 lb	\$ 28.88
TAS-1428-1213	1.06	1.06	2.25	1/4-28 NF	1/2-13 NC	300 lb	\$ 28.88
TAS-3824			2.25	3/8-24 NF	3/8-24 NF	500 lb	\$ 34.65
TAS-3816-3824	0.91	0.91	2.25	3/8-16 NC	3/8-24 NF	500 lb	\$ 34.65
TAS-3824-1213	1.06	1.06	2.37	3/8-24 NF	1/2-13 NC	500 lb	\$ 28.88
TAS-1213-5811	1.31	1.31	2.75	1/2-13 NC	5/8-11 NC	3000 lb	\$ 28.88
TAS-1213-1220	0.87	0.87	2.50	1/2-13 NC	1/2-20 NF	3000 lb	\$ 28.88
TAS-1220			2.50	1/2-20 NF	1/2-20 NF	3000 lb	\$ 28.88
TAS-1220-5811	1.31	1.31	2.75	1/2-20 NF	5/8-11 NC	3000 lb	\$ 34.65
TAS-3416-3410	1.31	1.31	3.00	3/4-16 NF	3/4-10 NC	7000 lb	\$ 34.65



# Hardware and Accessories

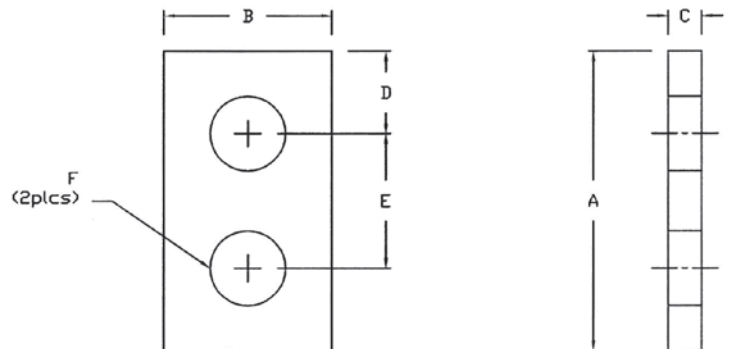
Coti Global Sensors • 5699 Highway 53 Harvest, Alabama 35749 • Toll Free: 1-866-762-COTI(2684) • Fax: 256-852-9903 • www.cotiglobal.com



## Load Cell Spacer Plates

Sized for most applications. Stainless Steel.

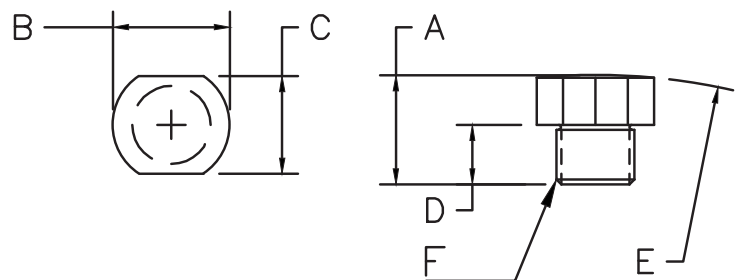
ORDER INFORMATION		DISCOUNT C						SUGGESTED
Order #	Capacity	A	B	C	D	E	F	List Price
LCS-0508	1K-5K,SE	2.25	1.25	0.08	0.62	1.00	0.56	\$19.06
LCS-1008	5K-10K	3.00	1.50	0.08	0.75	1.50	0.81	\$20.21
LCS-0514	1K-5K,SE	2.25	1.25	0.25	0.62	1.00	0.56	\$19.06
LCS-0538	1K-5K,SE	2.25	1.25	0.38	0.62	1.00	0.56	\$19.06
LCS-1014	5K-10K	3.00	1.50	0.25	0.75	1.50	0.81	\$20.21
LCS-2014	15K-20K	4.00	2.00	0.25	1.00	2.00	1.06	\$21.37



## Load Cell Buttons

- Heat treated polished stainless steel construction
- Exact OEM replacement parts for scale applications

ORDER INFORMATION		DISCOUNT C					SUGGESTED
Order #	A	B	C	D	E	F	List Price
LB-1220	0.70	0.75	0.62	0.40	4.00	1/2-20 UNF	\$ 21.22
LB-3416	0.90	1.50	1.25	0.60	6.00	3/4-16 UNF	\$ 24.26



# Hardware and Accessories

Coti Global Sensors • 5699 Highway 53 Harvest, Alabama 35749 • Toll Free: 1-866-762-COTI(2684) • Fax: 256-852-9903 • www.cotiglobal.com

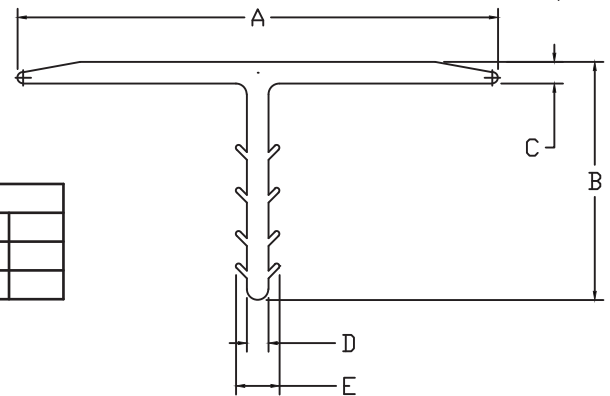


## TM-Grip Extruded Rubber Molding

- Design for use in truck scale applications to prevent spill-over.
- Tear and weather-resistant EPDM rubber.
- Barbed web to hold molding in place.
- Web thickness 0.25 in.
- Service operating temperature range -30C to +120C (-22F to +248F)

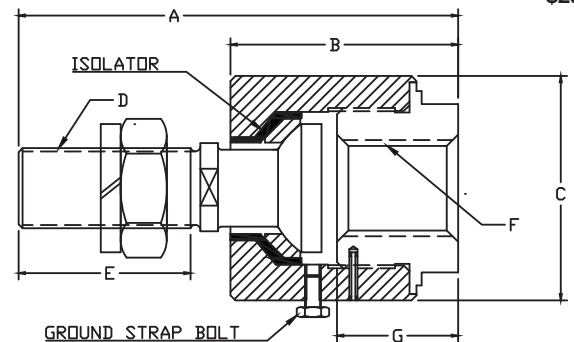
ORDER INFORMATION	DISCOUNT E	SUGGESTED
Part # TM-GRIP		List Price \$8.49 / ft.

DIMENSIONS					
A	B	C	D	E	
5.4	2.7	0.25	0.25	0.5	



## Tension Alignment Assembly/Isolators

ORDER INFORMATION	DISCOUNT C	SUGGESTED
Part #		List Price
STK #500		\$88.08
STK #501		\$88.08
STK #503		\$93.56
STK #504		\$99.05
STK #505		\$168.35
STK #506		\$297.42



PART #	DIMENSIONS (Ref. Only)							*SAFE WORKING LOAD
	A	B	C	D	E	F	G	
STK-#500	3.4	2.5	1.5	1/4-28-UNF-2A	0.8	1/4-20-UNC-2B	1.5	200 LBS
STK-#501	4.2	2.5	1.7	3/8-24-UNF-2A	1.2	3/8-16-UNC-2B	1.5	300 LBS
STK-#503	4.1	2.5	1.7	1/2-20-UNF-2A	1.1	1/2-13-UNC-2B	1.5	3,000 LBS
STK-#504	5.7	3.2	2.5	3/4-16-UNF-2A	1.5	3/4-10-UNC-2B	1.6	10,000 LBS
STK-#505	5.7	3.0	2.7	1.00-14-UNS-2A	2.1	1.25-7-UNC-2B	1.6	15,000 LBS
STK-#506	6.6	3.5	3.5	1.25-12-UNF-2A	2.4	1.50-6-UNC-2B	1.9	20,000 LBS

\* DO NOT EXCEED THE SAFE WORKING LOAD.

# ▶ Hardware and Accessories

Coti Global Sensors • 5699 Highway 53 Harvest, Alabama 35749 • Toll Free: 1-866-762-COTI(2684) • Fax: 256-852-9903 • www.cotiglobal.com



## Load Cell Cable

- Polyurethane outside cover PVC for superior protection from chaffing or corrosive chemicals
- Color-coded wires for easy installation
- Braided shielding provides EMI and RFI protection
- Operating Temperature -30C to + 80C / -22F to +176F

ORDER INFORMATION	DISCOUNT C	SUGGESTED
Part #		Price Per Linear Foot
LCC0422 4-conductor (22 awg) 5.6mm OD		\$1.45
LCC0622 6-conductor (22 awg) 6.0mm OD		\$2.26



## Braided Shield Cable

- Braided outside sheath provides maximum protection against chaffing and animal damage
- 304 Stainless Steel Overbraid + Foil Shield for additional RFI/EMI shielding protection
- Operating Temperature -30C to + 80C / -22F to +176F

ORDER INFORMATION	DISCOUNT C	SUGGESTED
Part #		Price Per Linear Foot
LCC0422AB 4-conductor Armor Braided (22 awg) 6.8mm OD		\$3.47
LCC0622AB 6-conductor Armor Braided (22 awg) 6.8mm OD		\$4.04
Braid Braided Tubular Sleeving 7/32" ID		\$4.62



## Teflon Hostile Environment / High Temperature Cable

- Designed for use in hostile environments
- Superior chemical and abrasive resistance
- RFI and EMI protected with foil overbraid shield
- Industry-standard color coded
- LCCT Temperature rating: -60C to +260C / -76F to 500F
- Thermaflame 3000 Temperature Rating 538C / 1000F

ORDER INFORMATION	DISCOUNT C	SUGGESTED
Part #		Price Per Linear Foot
LCCT0422 4-conductor Teflon (22 awg) 6.0mm OD		\$ 8.09
LCCT0622 6-conductor Teflon (22 awg) 6.0mm OD		\$ 9.24
Thermaflame 3000 4-conductor fiberglass (22awg) 6.9mm OD		\$23.10

# Hardware and Accessories

Coti Global Sensors • 5699 Highway 53 Harvest, Alabama 35749 • Toll Free: 1-866-762-COTI(2684) • Fax: 256-852-9903 • www.cotiglobal.com



## Beam feet - Carbon Steel

ORDER INFORMATION		DISCOUNT C		SUGGESTED
Order #	Thread	Max Height	Pad	List Price
EBF1.875	1/2-20 UNF	3"	1 7/8" dia	\$ 40.43
EBF2.000	1/2-20 UNF	3"	2" dia	\$ 40.43
EBF2.500	1/2-20 UNF	3"	2 1/2" dia	\$ 40.43
EBF3.020	1/2-20 UNF	3 1/2"	3" dia	\$ 40.43
EBF3.016	3/4-16 UNF	4 1/4"	3" dia	\$ 51.98
EBF3.114	1-14 UNF	4 1/4"	3" dia	\$ 63.53



## Beam feet - Stainless Steel

Stainless steel with captive ball bearing foot with 10 degree pivoting and 360 degree rotation.

ORDER INFORMATION		DISCOUNT C		SUGGESTED
Order #	Thread	Max Height	Pad	List Price
EBF1.875SS	1/2-20 UNF	3"	1 7/8" dia	\$ 63.53
EBF2.000SS	1/2-20 UNF	3"	2" dia	\$ 63.53
EBF2.500SS	1/2-20 UNF	3"	2 1/2" dia	\$ 63.53
EBF3.020SS	1/2-20 UNF	3 1/2"	3" dia	\$ 63.53
EBF3.016SS	3/4-16 UNF	4 1/4"	3" dia	\$ 75.08
EBF3.114SS	1-14 UNF	4 1/4"	3" dia	\$ 98.18
FT745 Rocker Foot	(1K-5K)	2.3"	2" dia	\$ 57.75
FT745A Rocker Foot	(10K)	2.92"	2 3/4" dia	\$ 69.30



## (Weigh-Tronix) Stainless Steel Feet

Order #	Thread	Max Height	Pad	List Price
EWf5811 Rigid Foot	5/8-11 UNC	3"	2" dia	\$ 57.75
EWBF5811 Captive ball bearing	5/8-11 UNC	2 3/4"	2" dia	\$ 75.08
EWBF1213 Captive ball bearing	1/2-13 UNC	2 3/4"	2" dia	\$ 75.08



## Beam feet - Elastomer Rubber Leveling Feet

Stainless steel stem with durable Elastomer base

ORDER INFORMATION		DISCOUNT C		SUGGESTED
Order #	Thread	Max Height	Pad	List Price
ERF1.875	1/2-20 UNF	3"	1 7/8" dia	\$ 28.88
ERF2.00	1/2-20 UNF	3"	2" dia	\$ 28.88
ERF2.50	1/2-20 UNF	3"	2 1/2" dia	\$ 28.88
ERF3.00	1/2-20 UNF	3	3" dia	\$ 28.88



# ▶ Hardware and Accessories

Coti Global Sensors • 5699 Highway 53 Harvest, Alabama 35749 • Toll Free: 1-866-762-COTI(2684) • Fax: 256-852-9903 • www.cotiglobal.com



## Desiccant Gel Pack

- Bagged desiccants to protect your enclosed electronic components from moisture and humidity
- Useful in junction boxes, indicators, and all scale electronics
- Compact size
- Absorbs up to 21% its weight in moisture
- Works best when relative humidity is higher than 40%

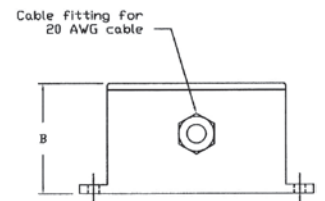
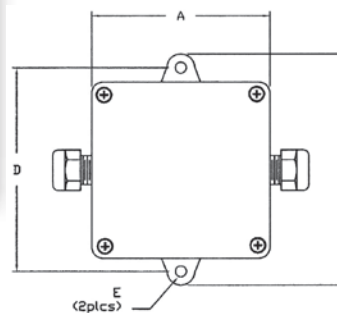
ORDER INFORMATION	DISCOUNT G	SUGGESTED
Silica Gel Pack	Dimensions 2.6" x 1.00"	Description Silica Gel List Price \$ 2.31



## Coti Global Sensors - Model CGSK

Designed for a complete, professional transducer cable splice. Prevents moisture from entering load cell through the cable connector.

ORDER INFORMATION	DISCOUNT E	SUGGESTED
CGSK		List Price \$ 60.64

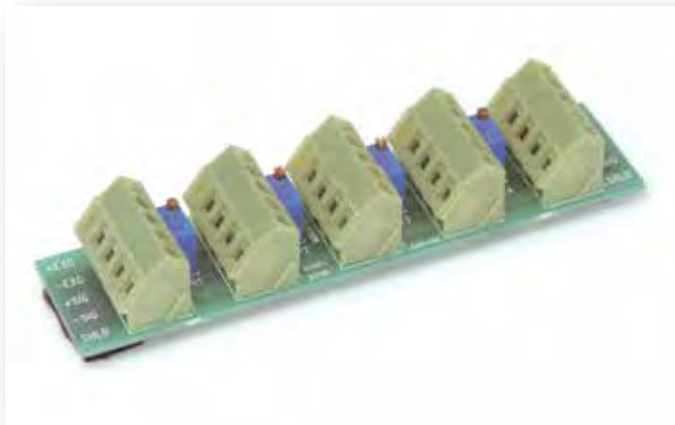


CGSK	A 4.00	B 2.50	C 5.25	D 4.62	E 0.28
------	-----------	-----------	-----------	-----------	-----------



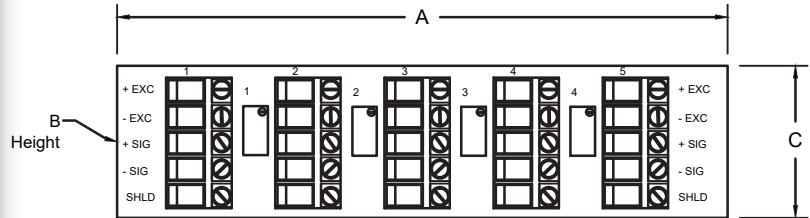
# ▶ Junction Boxes and Summing Cards

Coti Global Sensors • 5699 Highway 53 Harvest, Alabama 35749 • Toll Free: 1-866-762-COTI(2684) • Fax: 256-852-9903 • www.cotiglobal.com



## CG-57115 Summing Card

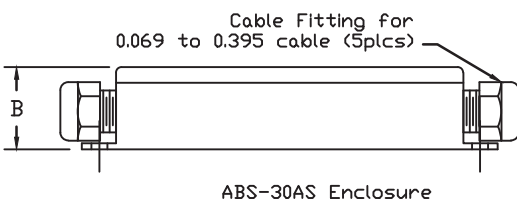
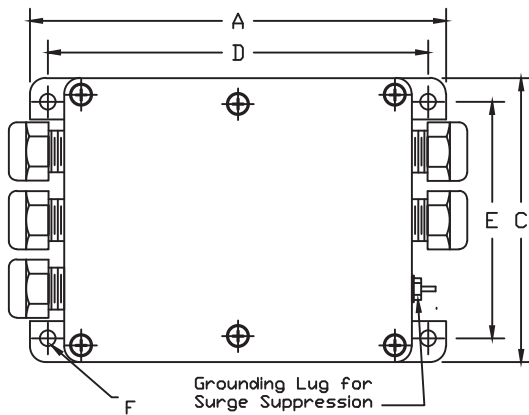
ORDER INFORMATION		DISCOUNT C	SUGGESTED
Part #	Description		List Price
CG-57115	Excitation Summing Card		\$ 60.64



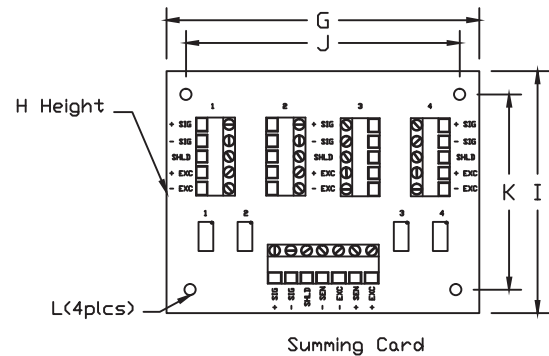
57115	DIMENSIONS		
	A	B	C
SUMMING CARD	4.50	0.25	1.06

## Compact & Efficient ABS 4-Cell Signal Trim Summing Junction Box

- Use with 2-4 load cell systems: Floor, Hopper, Tank, or Livestock applications
- Rugged ABS enclosure with molded-in cable fittings for waterproof seal
- Premium screw terminals
- 25-turn increment potentiometers for reliable and convenient cell trim
- PC board is sprayed with a transparent silicone protective coating for moisture resistance
- 6- screw attachment to lid; die cut gasket for superior environmental protection
- (5) watertight nylon compression fittings accept .069-.395 wire diameters



ORDER INFORMATION		DISCOUNT C	SUGGESTED
Part #	Description		List Price
ABS-30AS	Complete ABS Junction with Signal Trim Card		\$ 103.09
ABS-30AE	Complete ABS Junction Box Excitation Trim		\$ 103.09



	DIMENSIONS					
	A	B	C	D	E	F
ABS-30AS	6.56	1.30	4.48	6.00	3.73	0.28
	G	H	I	J	K	L
SUMMING CARD	4.00	0.75	3.50	2.50	2.50	0.14

# ▶ Junction Boxes and Summing Cards

Coti Global Sensors • 5699 Highway 53 Harvest, Alabama 35749 • Toll Free: 1-866-762-COTI(2684) • Fax: 256-852-9903 • www.cotiglobal.com

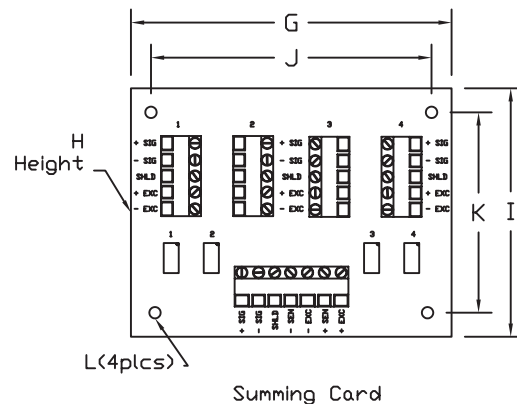
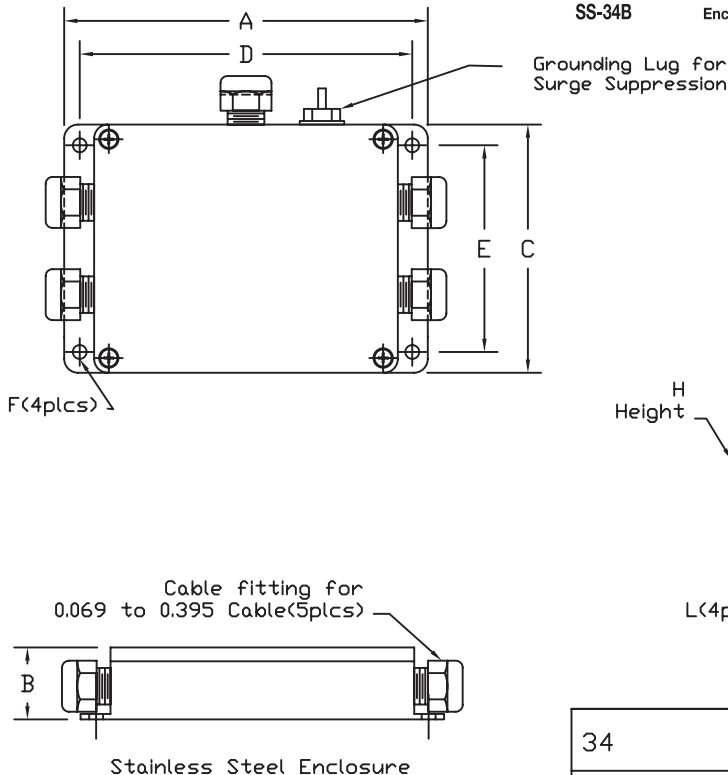


## Four Load Cell OEM Replacement Stainless Steel Summing Box NEMA 4X Polisher Stainless Steel

- Choose signal-trim or excitation-trim depending on the application
- Signal Trim Range: 100K potentiometer, 25 turn increment
- PC board is sprayed with a transparent silicone protective coating for moisture resistance
- Premium screw terminals
- Enclosure: high polished Stainless Steel for harsh environments
- (5) watertight nylon compression fittings accept .069-.395 wire diameters



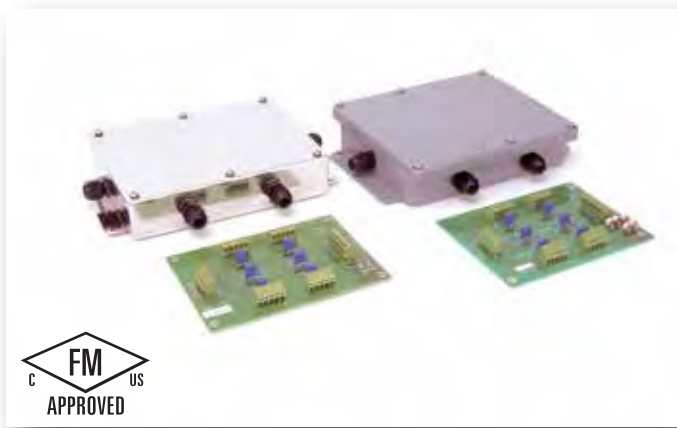
ORDER INFORMATION	DISCOUNT C	SUGGESTED
Part #	Description	List Price
SS-34AS	Model 34 Stainless Steel Junction Box w / 4-cell Signal Trim Summing Card	\$260.75
SS-34AE	Model 34 Stainless Steel Junction Box w / 4-cell Excitation Trim Summing Card	\$260.75
S-34CS	Signal Trim	\$109.15
S-34CE	Excitation Trim	\$109.15
S-CSB	Signal Trim w/Spring Clamp	\$109.15
S-CSB-E	Excitation Trim w/Spring Clamp	\$109.15
SS-34B	Enclosure only for model 34	\$151.60



34	DIMENSIONS					
	A	B	C	D	E	F
STAINLESS STEEL	7.00	1.55	4.48	6.23	3.50	0.28
	G	H	I	J	K	L
SUMMING CARD	4.00	0.75	3.10	3.50	2.50	0.14

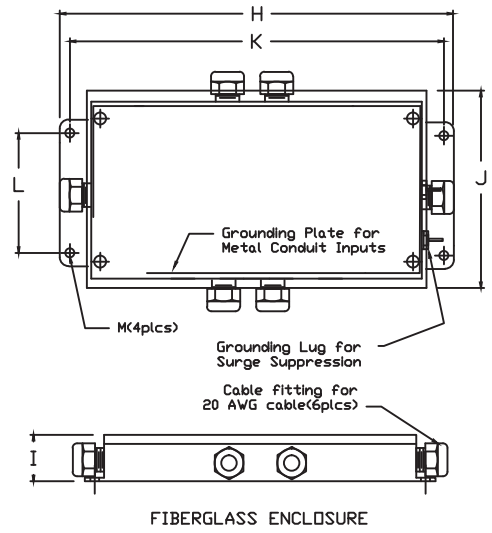
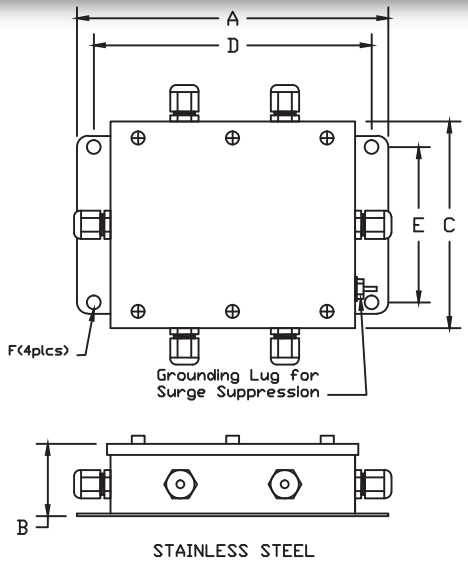
# Junction Boxes and Summing Cards

Coti Global Sensors • 5699 Highway 53 Harvest, Alabama 35749 • Toll Free: 1-866-762-COTI(2684) • Fax: 256-852-9903 • www.cotiglobal.com

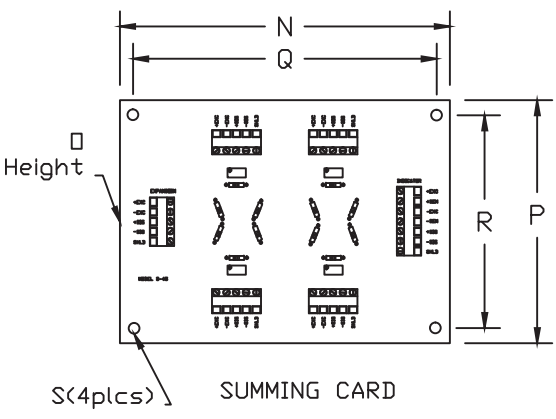


## 4-Cell OEM Replacement Junction Boxes With/Without Section Trim, Expandable

- NEMA 4X polished Stainless Steel or Fiberglass Polyester enclosure
- High stability signal trim or excitation trim for corner section trim applications
- Signal Trim Range: 100K potentiometer, 25 turn increment
- PC board is sprayed with a transparent silicone protective coating for moisture resistance
- Termination: Premium screw terminals
- (6) watertight nylon compression fittings accept .069-.395 wire diameters



	40	45	DIMENSIONS					
			A	B	C	D	E	F
STAINLESS STEEL			9.81	1.87	6.50	9.00	4.37	0.25
			H	I	J	K	L	M
FIBERGLASS			8.50	2.00	7.35	7.75	4.35	0.30
			N	□	P	Q	R	S
SUMMING CARD			6.79	0.75	5.00	6.25	4.30	0.14



### ORDER INFORMATION      DISCOUNT C      SUGGESTED

Part #	Description	List Price
FP-40AS	Model 40 Fiberglass Polyester Summing Box complete (Signal Trim)	\$369.89
FP-40AE	Model 40 Fiberglass Polyester Summing Box complete (Excitation Trim)	\$369.89
SS-40AS	Model 40 Stainless Steel Summing Box complete (Signal Trim)	\$369.89
SS-40AE	Model 40 Stainless Steel Summing Box complete (Excitation Trim)	\$369.89

Use for vehicle scales, Railroad Track scales, Livestock scales requiring individual load cell and section trim adjustments:

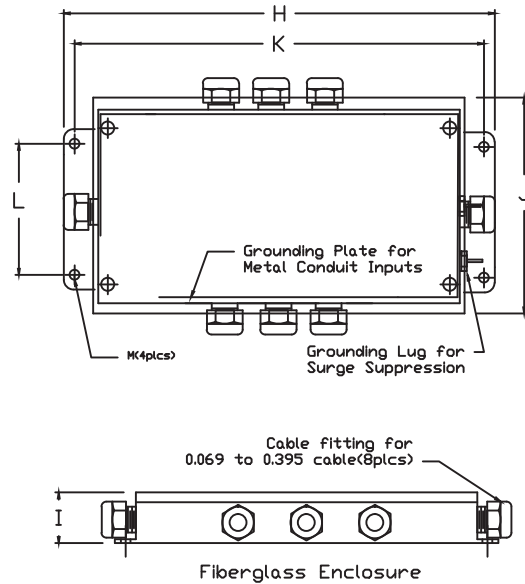
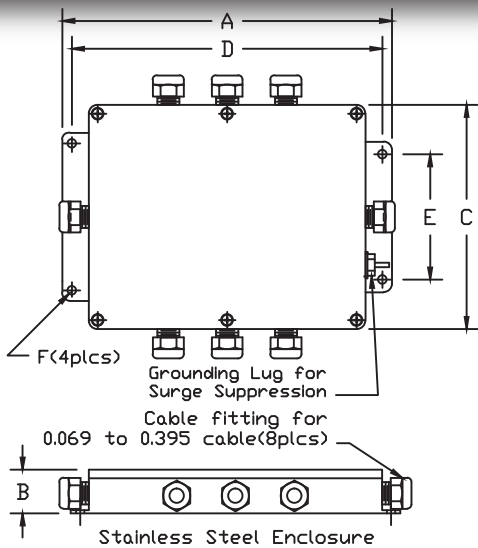
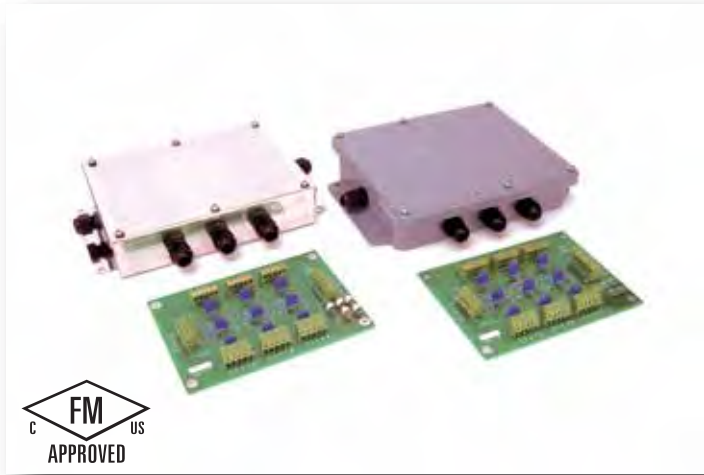
FP-45AS	Model 45 Fiberglass Polyester Summing Box complete (Signal Trim)	\$369.89
FP-45AS-SP	Model 45 Fiberglass Polyester Summing Box complete (Signal Trim) w/Surge Protection	\$441.85
FP-45AE	Model 45 Fiberglass Polyester Summing Box complete (Excitation Trim)	\$369.89
FP-45AE-SP	Model 45 Fiberglass Polyester Summing Box complete (Excitation Trim) w/Surge Protection	\$441.85
SS-45AS	Model 45 Stainless Steel Summing Box complete (Signal Trim)	\$369.89
SS-45AS-SP	Model 45 Stainless Steel Summing Box complete (Signal Trim) w/Surge Protection	\$441.85
SS-45AE	Model 45 Stainless Steel Summing Box complete (Excitation Trim)	\$369.89
SS-45AE-SP	Model 45 Stainless Steel Summing Box complete (Excitation Trim) w/Surge Protection	\$441.85

### Also available: Individual components

S-40CS	Model 40 Summing Card Assembly only, Signal Trim	\$169.79
S-40CE	Model 40 Summing Card Assembly only, Excitation Trim	\$169.79
S-45CS	Model 45 Summing Card Assembly only, Signal Trim	\$169.79
S-45CS-SP	Model 45 Summing Card Assembly only, Signal Trim w/ Surge Protection	\$241.73
S-45CE	Model 45 Summing Card Assembly only, Excitation Trim	\$169.79
S-45CE-SP	Model 45 Summing Card Assembly only, Excitation Trim w/ Surge Protection	\$241.73
SS-4045B	Stainless Steel Enclosure only w/ all hardware	\$200.11
FP-4045B	Fiberglass Polyester Enclosure only w/ all hardware	\$200.11

# ▶ Junction Boxes and Summing Cards

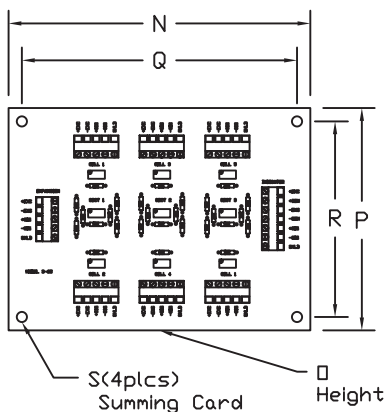
Coti Global Sensors • 5699 Highway 53 Harvest, Alabama 35749 • Toll Free: 1-866-762-COTI(2684) • Fax: 256-852-9903 • www.cotiglobal.com



## 6-Cell OEM Replacement Junction Boxes With Section Trim, Expandable

- NEMA 4X polished Stainless Steel or Fiberglass Polyester enclosure
- Signal Trim Range: 100K potentiometer, 25 turn increment
- PC board is sprayed with a transparent silicone protective coating for moisture resistance
- Termination: Premium screw terminals
- (8) watertight nylon compression fittings accept .069-.395 wire diameters

65	DIMENSIONS					
	A	B	C	D	E	F
STAINLESS STEEL	9.81	1.87	6.50	9.00	4.37	0.25
	H	I	J	K	L	M
FIBERGLASS	8.50	2.00	7.35	7.75	4.35	0.30
	N	□	P	Q	R	S
SUMMING CARD	6.79	0.75	5.00	6.25	4.30	0.14



### ORDER INFORMATION      DISCOUNT C      SUGGESTED

Part #	Description	List Price
FP-65AS	Model 65 Fiberglass Polyester Summing Box complete (Signal Trim)	\$460.85
FP-65AS-SP	Model 65 Fiberglass Polyester Summing Box complete (Signal Trim) w/Surge Protection	\$531.58
FP-65AE	Model 65 Fiberglass Polyester Summing Box complete (Excitation Trim)	\$460.85
FP-65AE-SP	Model 65 Fiberglass Polyester Summing Box complete (Excitation Trim) w/Surge Protection	\$531.58
SS-65AS	Model 65 Stainless Steel Summing Box complete (Signal Trim)	\$460.85
SS-65AS-SP	Model 65 Stainless Steel Summing Box complete (Signal Trim) w/Surge Protection	\$531.58
SS-65AE	Model 65 Stainless Steel Summing Box complete (Excitation Trim)	\$460.85
SS-65AE-SP	Model 65 Stainless Steel Summing Box complete (Excitation Trim) w/Surge Protection	\$531.58
<b>Also available: Individual components</b>		
S-65CS	Model 65 Summing Card Assembly only, Signal Trim	\$218.30
S-65CS-SP	Model 65 Summing Card Assembly only, Signal Trim w/ Surge Protection	\$289.03
S-65CE	Model 65 Summing Card Assembly only, Excitation Trim	\$218.30
S-65CE-SP	Model 65 Summing Card Assembly only, Excitation Trim w/ Surge Protection	\$289.03
FP-65B	Fiberglass Polyester Enclosure only w/ all hardware	\$242.55
SS-65B	Stainless Steel Enclosure only w/ all hardware	\$242.55

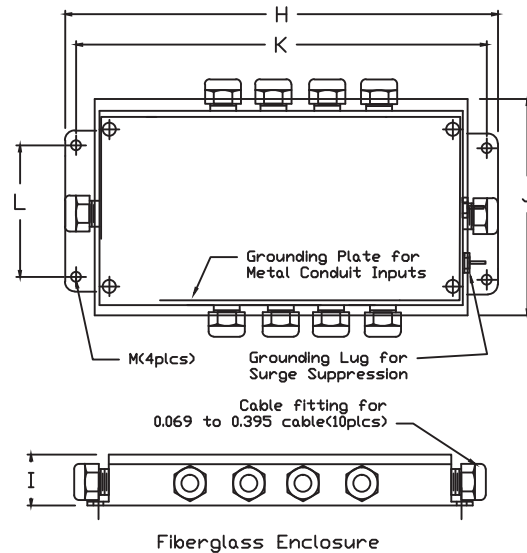
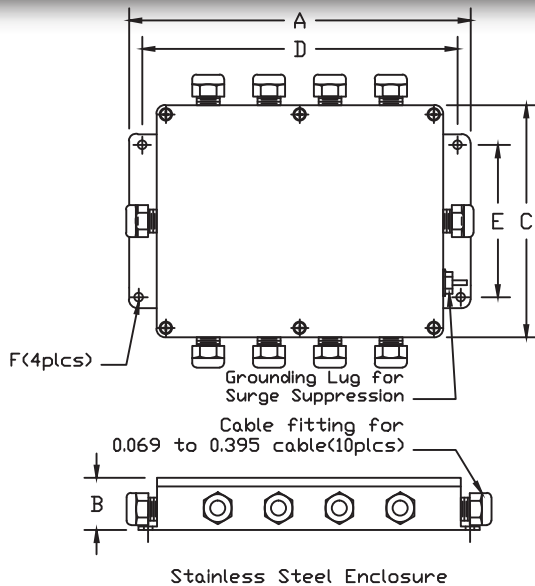
# Junction Boxes and Summing Cards

Coti Global Sensors • 5699 Highway 53 Harvest, Alabama 35749 • Toll Free: 1-866-762-COTI(2684) • Fax: 256-852-9903 • www.cotiglobal.com

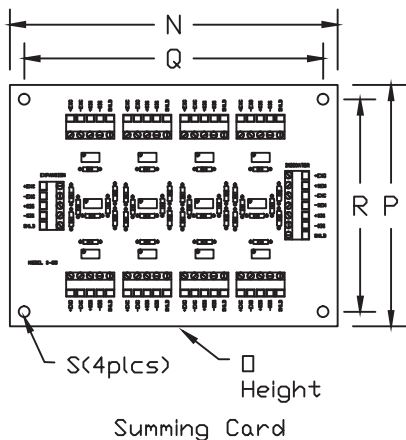


## 8-Cell Junction Boxes With Section Trim, Expandable

- NEMA 4X polished Stainless Steel or Fiberglass Polyester enclosure
- Signal Trim Range: 100K potentiometer, 25 turn increment
- PC board is sprayed with a transparent silicone protective coating for moisture resistance
- Termination: Premium screw terminals
- (10) watertight nylon compression fittings accept .069-.395 wire diameters



85	DIMENSIONS					
	A	B	C	D	E	F
STAINLESS STEEL	9.81	1.87	6.50	9.00	4.37	0.25
	H	I	J	K	L	M
FIBERGLASS	8.50	2.00	7.35	7.75	4.35	0.30
	N	Q	P	Q	R	S
SUMMING CARD	6.79	0.75	5.00	6.25	4.30	0.14



## ORDER INFORMATION DISCOUNT C SUGGESTED

Part #	Description	List Price
FP-85AS	Model 85 Fiberglass Polyester Summing Box complete (Signal Trim)	\$515.42
FP-85AS-SP	Model 85 Fiberglass Polyester Summing Box complete (Signal Trim) w/Surge Protection	\$586.15
FP-85AE	Model 85 Fiberglass Polyester Summing Box complete (Excitation Trim)	\$515.42
FP-85AE-SP	Model 85 Fiberglass Polyester Summing Box complete (Excitation Trim) w/Surge Protection	\$586.15
SS-85AS	Model 85 Stainless Steel Summing Box complete (Signal Trim)	\$515.42
SS-85AS-SP	Model 85 Stainless Steel Summing Box complete (Signal Trim) w/Surge Protection	\$586.16
SS-85AE	Model 85 Stainless Steel Summing Box complete (Excitation Trim)	\$515.42
SS-85AE-SP	Model 85 Stainless Steel Summing Box complete (Excitation Trim) w/Surge Protection	\$586.16

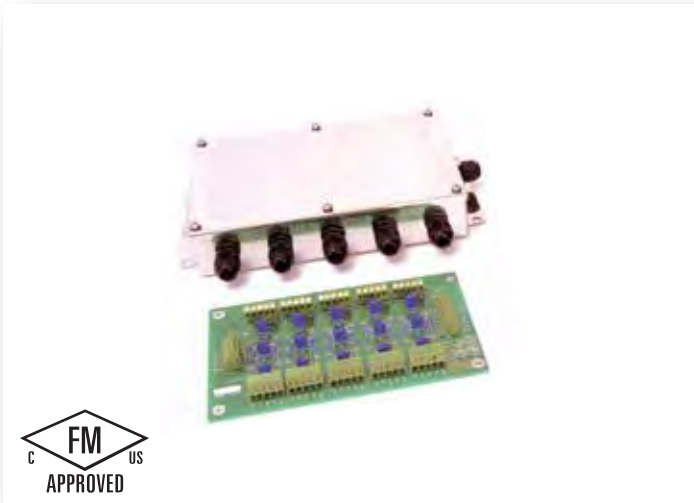
## Also available: Individual components

S-85CS	Model 85 Summing Card Assembly only, Signal Trim	\$260.75
S-85CS-SP	Model 85 Summing Card Assembly only, Signal Trim w/ Surge Protection	\$331.47
S-85CE	Model 85 Summing Card Assembly only, Excitation Trim	\$260.75
S-85CE-SP	Model 85 Summing Card Assembly only, Excitation Trim w/ Surge Protection	\$331.47
FP-85B	Fiberglass Polyester Enclosure only w/ all hardware	\$254.68
SS-85B	Stainless Steel Enclosure only w/ all hardware	\$254.68



# ▶ Junction Boxes and Summing Cards

Coti Global Sensors • 5699 Highway 53 Harvest, Alabama 35749 • Toll Free: 1-866-762-COTI(2684) • Fax: 256-852-9903 • www.cotiglobal.com



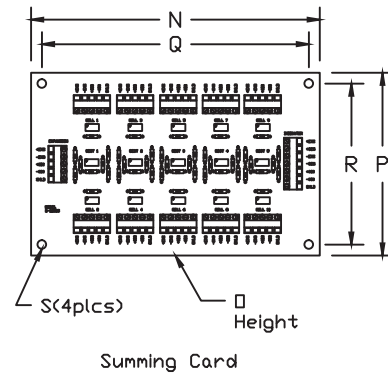
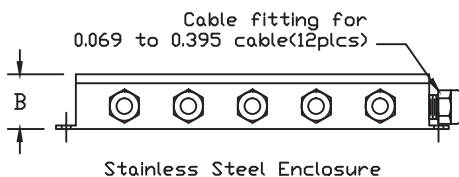
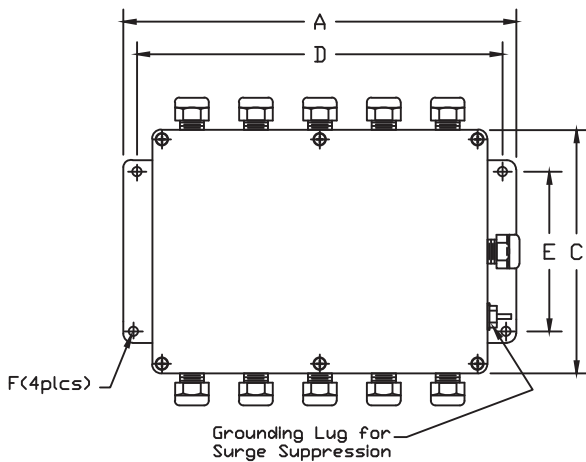
## 10-Cell OEM Replacement Junction Boxes With Section Trim, Expandable

- NEMA 4X polished Stainless Steel
- Signal Trim Range: 100K potentiometer, 25 turn increment
- PC board is sprayed with a transparent silicone protective coating for moisture resistance
- Termination: Premium screw terminals
- (11) watertight nylon compression fittings accept .069-.395 wire diameters

ORDER INFORMATION	DISCOUNT C	SUGGESTED
<b>Part #</b>	<b>Description</b>	<b>List Price</b>
	<i>Use with 10 strain gauge load cell scales for Vehicle Scales, Livestock Scales, and Railroad Track Scales that require individual cell and section trim adjustments:</i>	
SS-10AS	Model 10 Stainless Steel Summing Box complete (Signal Trim) 10-cell	\$630.63
SS-10AS-SP	Model 10 Stainless Steel Summing Box complete (Signal Trim) 10-cell, w/ Surge Protection	\$701.37

### Also available: Individual components

S-10CS	Model 10 Summing Card Assembly only, Signal Trim	\$351.70
S-10CS-SP	Model 10 Summing Card Assembly only, Signal Trim w/ Surge Protection	\$422.44
SS-10B	Stainless Steel Enclosure only w/ all hardware	\$278.93



10	DIMENSIONS					
	A	B	C	D	E	F
STAINLESS STEEL	10.75	1.87	6.50	10.00	4.37	0.25
	N	Q	P	Q	R	S
SUMMING CARD	8.00	0.75	5.00	7.40	4.25	0.14

# Indicators

# TI-500

Coti Global Sensors • 5699 Highway 53 Harvest, Alabama 35749 • Toll Free: 1-866-762-COTI(2684) • Fax: 256-852-9903 • www.cotiglobal.com



## TI-500

The TI-500 is an NTEP approved digital indicator housed in a durable black ABS enclosure. It is equipped with an easy to read 0.9" LCD display, with back light. Capable of powering up to 4-350Ω load cells, this simple device can handle a multitude of functions. A full duplex RS-232 port can transmit data on demand or continuously to match the input requirements of a wide variety of peripheral devices including printers, remote displays and computers. The setup and calibration parameters are shared with other TI series indicators for consistently easy and trouble free use and maintenance. Best of all, the TI-500 can be operated on AA Alkaline batteries or rechargeable batteries. The TI-500 is a leader in reliable performance and value.

ORDER INFORMATION		DISCOUNT E	SUGGESTED
<b>Part #</b>			<b>List Price</b>
<b>TI-500</b>			<b>\$ 248.33</b>
OPTIONS		DISCOUNT G	
<b>AD007009</b>	<b>6V, 600ma AC Adapter</b>		<b>\$ 34.65</b>
<b>327061465</b>	<b>Cable with 14P Connector</b>		<b>\$ 45.05</b>

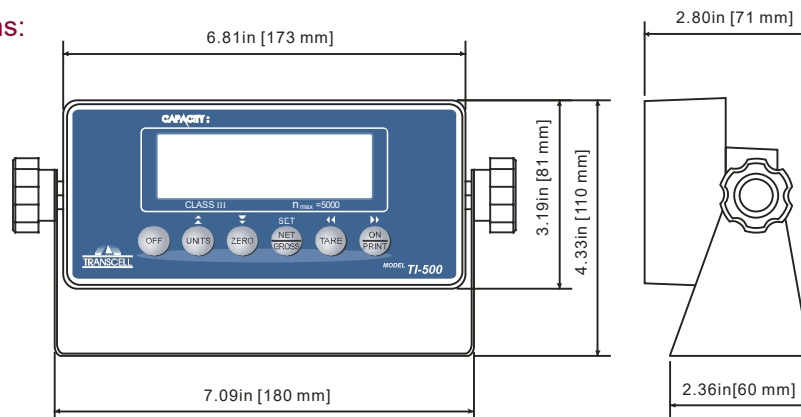
### Standard Features & Benefits:

- **DIVISIONS-** NTEP approved for 5,000 Divisions
- **DISPLAYS-** Up to 50,000 Graduations
- **SERIAL PORT-** Full duplex RS-232 Serial Port - demand or continuous
- **STAND-** Stainless steel swivel stand
- **DISPLAY-** Backlit LCD
- **FULL FRONT PANEL CONFIGURATION**
- **ENCLOSURE-** ABS / Steel NEMA 12 Enclosure
- **LOAD CELLS-** Drives up to four 350 Ω Load Cells
- **POWER REQUIREMENTS-** Operates on AC Adapter, Alkaline, or rechargeable batteries
- **APPROX. BATTERY LIFE-** 40 hours continuous use
- **AUTO SHUTOFF-** Extends battery life

### Specifications:

<b>Load Cell Excitation:</b> 3.3 VDC	<b>Keyboard Functions:</b> Off, Units, Zero, Net/Gross, Tare, On/Print
<b>Load Cell Current:</b> Drives up to four 350 Ω Load Cells	<b>Annunciators:</b> Gross, Net, kg, lb, Center of Zero, Stable, Tare, Negative, PCS, Low Battery
<b>Analog Signal Input Range:</b> +/- 3.125 mV/V max.	<b>Serial Port:</b> Full Duplex RS-232C
<b>Analog Sensitivity:</b> 0.2 μV/grad, minimum 0.4 μV/grad, recommended minimum for Legal-for-Trade	<b>Power Requirement:</b> 6 VDC, 300 mA switching wall adaptor
<b>A/D Conversion Rate:</b> 10 Hz	<b>DC Power Consumption:</b> 10 mA + 9 mA/350 Ω Load Cell
<b>A/D Resolution:</b> Up to 260,000 Internal Counts @ 2 mV/V	<b>Battery:</b> Operates on AA alkaline batteries (1.5V) or AA rechargeable batteries (1.2V)
<b>Display:</b> 0.9", 6 Digit LCD w/LED backlight	<b>Indicator Dimensions:</b> 3.2" x 6.8" x 2.3" (81mm x 173mm x 60mm)
<b>Display Resolution:</b> Up to 50,000 external grads	
<b>NIST Classification:</b> H-44 Class III at 5,000 Divisions C.O.C. #94-080A2	
<b>Operating Temperature:</b> 14°F to 104°F (-10°C to 40°C)	
<b>Warranty:</b> 1 year limited warranty applies	

### Dimensions:





# Indicators

# TI-500E

Coti Global Sensors • 5699 Highway 53 Harvest, Alabama 35749 • Toll Free: 1-866-762-COTI(2684) • Fax: 256-852-9903 • www.cotiglobal.com



## TI-500E

The TI-500E is an NTEP approved digital indicator housed in a durable black ABS enclosure. Large easy to read 0.6" LED display. Capable of powering up to 4-350  $\Omega$  load cells, this simple device can handle a multitude of functions. A full duplex RS-232 port can transmit data on demand or continuously to match the input requirements of a wide variety of peripheral devices including printers, remote displays and computers. The setup and calibration parameters are shared with other TI series indicators for consistently easy and trouble free use and maintenance. The TI-500E is the leader in reliable performance and value.

ORDER INFORMATION	DISCOUNT E	SUGGESTED
Part #		List Price
TI-500E		\$ 271.43
OPTIONS	DISCOUNT G	
AD007001 9V, 600ma AC Adapter		\$ 34.65
327061465 Cable with 14P Connector		\$ 45.05

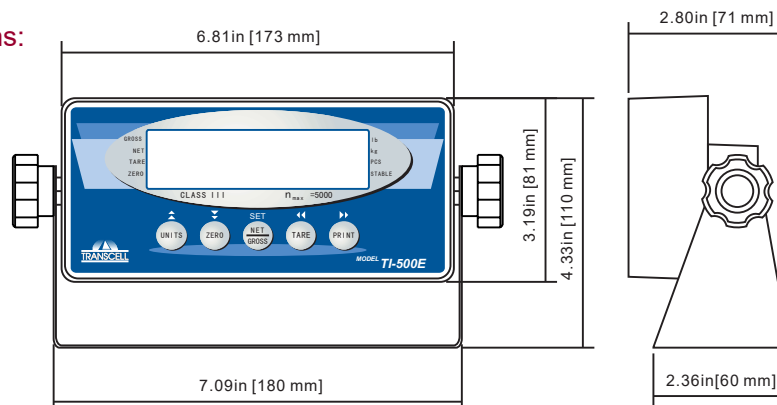
### Standard Features & Benefits:

- **DIVISIONS**- NTEP approved for 5,000 Divisions
- **DISPLAYS**- Up to 50,000 Graduations
- **SERIAL PORT**- Full duplex RS-232 Serial Port - demand or continuous
- **STAND**- Stainless Steel swivel stand
- **DISPLAY**- Easy to read LED
- **FULL FRONT PANEL CONFIGURATION**
- **ENCLOSURE**- ABS NEMA 12 Enclosure
- **LOAD CELLS**- Drives up to four 350  $\Omega$  Load Cells
- **DIGITAL CALIBRATION**- Full front panel calibration
- **POWER REQUIREMENT**vS- Operates on AC Adapter or 12 Volt DC
- **HIGH QUALITY/LOW COST**
- **SIMPLE PIECE COUNTING FUNCTION**

### Specifications:

<b>Load Cell Excitation:</b> +5 VDC	<b>Keyboard Functions:</b> Units, Zero, Net/Gross, Tare, Print
<b>Load Cell Current:</b> Drives up to four 350 $\Omega$ Load Cells	<b>Annunciators:</b> Gross, Net, kg, lb, Center of Zero, Stable, Tare, Negative, PCS
<b>Analog Signal Input Range:</b> +/- 3.125 mV/V max.	<b>Serial Port:</b> Full Duplex RS-232C
<b>Analog Sensitivity:</b> 0.3 $\mu$ V/grad, minimum 0.6 $\mu$ V/grad, recommended minimum for Legal-for-Trade	<b>Power Requirement:</b> 9 VDC, 500 mA wall Adapter included
<b>A/D Conversion Rate:</b> 10 Hz	<b>DC Power Consumption:</b> 200 mA + 15 mA/350 $\Omega$ Load Cell
<b>A/D Resolution:</b> Up to 200,000 Internal Counts @ 3 mV/V	<b>Indicator Dimensions:</b> 3.2" x 6.8" x 2.3" (81mm x 173mm x 60mm)
<b>Display:</b> 0.6", 6 Digit LED, Green	<b>Operating Temperature:</b> 14°F to 104°F (-10°C to 40°C)
<b>Display Resolution:</b> Up to 50,000 external grads	
<b>NIST Classification:</b> H-44 Class III at 5,000 Divisions C.O.C. #94-080A2	
<b>Warranty:</b> 1 year limited warranty applies	

### Dimensions:



# Indicators

# TI-500E PLUS

Coti Global Sensors • 5699 Highway 53 Harvest, Alabama 35749 • Toll Free: 1-866-762-COTI(2684) • Fax: 256-852-9903 • www.cotiglobal.com



## TI-500E PLUS

The TI-500E PLUS is an NTEP approved digital indicator housed in a durable aluminum enclosure. Large easy to read 0.6" LED display. Capable of powering up to 4-350  $\Omega$  load cells, this simple device can handle a multitude of functions. A full duplex RS-232 port can transmit data on demand or continuously to match the input requirements of a wide variety of peripheral devices including printers, remote displays and computers. The setup and calibration parameters are shared with other TI series indicators for consistently easy and trouble free use and maintenance. The TI-500E PLUS is an upgrade to the reliable performance and value found in the TI-500E.

ORDER INFORMATION	DISCOUNT E	SUGGESTED
<b>Part #</b>		<b>List Price</b>
TI-500E Plus		\$ 317.63
TI-500E Plus w/4-20		\$ 444.68
OPTIONS	DISCOUNT G	
P215495110	RS-485 Output	\$ 98.18
215491010	Analog Output	\$ 127.05
	Wireless Bluetooth-2.0 100m	\$ 242.55
	Time / Date / Print	\$ 127.05
AD007001	9V, 600ma AC Adapter	\$ 34.65
327061465	Cable with 14P Connector	\$ 45.05

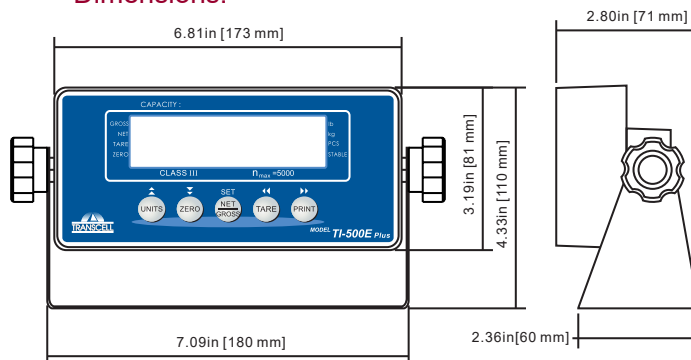
### Standard Features & Benefits:

- **DIVISIONS**- NTEP approved for 5,000 Divisions
- **DISPLAYS**- Up to 50,000 Graduations
- **SERIAL PORT**- Full duplex RS-232 Serial Port - demand or continuous
- **CONSTRUCTION**- Stainless Steel swivel stand
- **MULTI-POINT DIGITAL CALIBRATION**
- **FULL FRONT PANEL CONFIGURATION**
- **ENCLOSURE**- Aluminum / Steel NEMA 12 Enclosure
- **LOAD CELLS**- Drives up to four 350  $\Omega$  Load Cells
- **DISPLAY**- LED
- **POWER REQUIREMENTS**- Operates on AC Adapter or 9 Volt DC
- **HIGH QUALITY/LOW COST**
- **SPECIAL APPLICATIONS**- Piece Counting, Remote Display, Peak Hold

### Specifications:

<b>Load Cell Excitation:</b> +5 VDC	<b>Keyboard Functions:</b> Units, Zero, Net/Gross, Tare, Print
<b>Load Cell Current:</b> Drives up to four 350 $\Omega$ Load Cells	<b>Annunciators:</b> Gross, Net, kg, lb, Center of Zero, Stable, Tare, Negative, PCS
<b>Analog Signal Input Range:</b> +/- 3.125 mV/V max	<b>Serial Port:</b> Full Duplex RS-232 Format
<b>Analog Sensitivity:</b> 0.3 $\mu$ V/grad, minimum	<b>Power Requirement:</b> 9 VDC, 500 mA Wall Adapter included
0.6 $\mu$ V/grad, recommended minimum for Legal-for-Trade	<b>DC Power Consumption:</b> 200 mA + 15 mA/350 ohm Load Cell
<b>A/D Conversion Rate:</b> 10 HZ / 80 HZ Selectable	<b>Indicator Dimensions:</b> 3.2" x 6.8" x 2.3" (81mm x 173mm x 60mm)
<b>A/D Resolution:</b> Up to 260,000 Internal Counts @ 2 mV/V	<b>Operating Temperature:</b> 14°F to 104°F (-10°C to 40°C)
<b>Display:</b> 0.6", 6 Digit LED Display	
<b>Display Resolution:</b> Up to 50,000 external grads	
<b>NIST Classification:</b> H-44 Class III at 5,000 Divisions	
C.O.C. #94-080A2	
<b>Warranty:</b> 1 year	

### Dimensions:



### Options:

- **Analog output:** 16-Bit, 0-5 VDC (active), 4-20 mA (passive)
- **Communication:** Bluetooth or RS-485
- **Time/Date & Programmable print format**

# Indicators

# TI-500ESS

Coti Global Sensors • 5699 Highway 53 Harvest, Alabama 35749 • Toll Free: 1-866-762-COTI(2684) • Fax: 256-852-9903 • www.cotiglobal.com



## TI-500ESS

The TI-500ESS is an NTEP certified rugged industrial digital indicator housed in a stainless steel NEMA 4X enclosure. It comes with a large 0.6" LED display for easy readout of up to 50,000 display divisions, and has power for up to 4-350Ω load cells. All setup parameters may be entered via the front panel keys and are shared with other TI series indicators for consistently easy and trouble free use and maintenance. The TI-500ESS uses full duplex RS-232 serial format for communication with many types of attached support equipment. The unit can transmit data on demand, or continuously in a popular data protocol to match a wide variety of printers, remote displays, or personal computers. A piece counting function is also included.

ORDER INFORMATION		DISCOUNT E	SUGGESTED
Part #			List Price
TI-500ESS			\$ 421.58
OPTIONS		DISCOUNT G	
P215495110	RS-485 Output		\$ 98.18
215491010	Analog Output		\$ 127.05
	Time / Date / Print		\$ 127.05
	Spare Internal Power Supply		\$ 46.20
327061465	Cable with 14P Connector		\$ 45.05

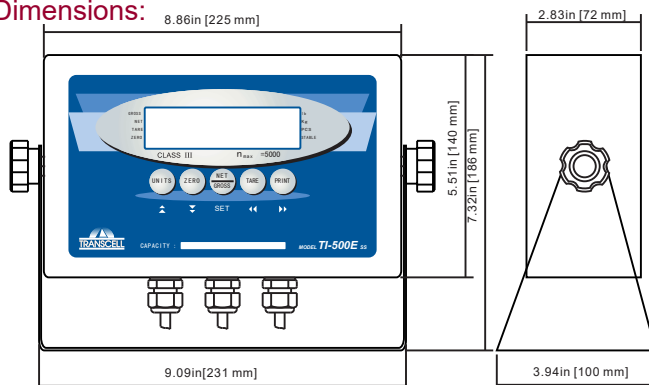
### Standard Features & Benefits:

- **DIVISIONS**- NTEP certified for 5,000 Divisions
- **DISPLAYS**- Up to 50,000 Graduations
- **SERIAL PORT**- Full duplex RS-232 Serial Port - demand or continuous
- **CONSTRUCTION**- Stainless Steel swivel stand
- **MULTI-POINT DIGITAL CALIBRATION**
- **FULL FRONT PANEL CONFIGURATION**
- **ENCLOSURE**- Stainless Steel NEMA 4x / IP65
- **STAND**- Stainless steel swivel stand
- **LOAD CELLS**- Drives up to four 350 Ω Load Cells
- **DISPLAY**- Easy to read LED
- **SIMPLE PIECE COUNTING FUCTION**
- **HIGH QUALITY/LOW COST**
- **SPECIAL APPLICATIONS**- Piece Counting, Remote Display, Peak Hold, Animal Hold

### Specifications:

<b>Load Cell Excitation:</b> +5 VDC	<b>Keyboard Functions:</b> Units, Zero, Net/Gross, Tare, Print
<b>Load Cell Current:</b> Drives up to four 350 Ω Load Cells	<b>Annunciators:</b> Gross, Net, kg, lb, Center of Zero, Stable, Tare, Negative, PCS
<b>Analog Signal Input Range:</b> +/- 3.125 mV/V max	<b>Serial Port:</b> Full Duplex RS-232C Format
<b>Analog Sensitivity:</b> 0.3 μV/grad, minimum 0.6 μV/grad, recommended minimum for Legal-for-Trade	<b>Power Requirement:</b> 110/220 VAC, 50/60 Hz
<b>A/D Conversion Rate:</b> 10 Hz / 80 Hz Selectable	<b>DC Power Consumption:</b> 200 mA + 15 mA/350 ohm Load Cell
<b>A/D Resolution:</b> Up to 260,000 Internal Counts @ 2 mV/V	<b>Indicator Dimensions:</b> 9.0" x 5.5" x 2.9" (231mm x 140mm x 72mm)
<b>Display:</b> 0.6", 6 Digit LED Display	<b>Operating Temperature:</b> 14°F to 104°F (-10°C to 40°C)
<b>Display Resolution:</b> Up to 50,000 external grads	<b>Warranty:</b> 1 year
<b>NIST Classification:</b> H-44 Class III at 5,000 Divisions NTEP CC 94-080A3	

### Dimensions:



### Options:

- Analog output: 16-Bit, 0-5 VDC (active), 4-20 mA (passive)
- Communication: Bluetooth or RS-485
- Time/Date & Programmable print format

# Indicators

Coti Global Sensors • 5699 Highway 53 Harvest, Alabama 35749 • Toll Free: 1-866-762-COTI(2684) • Fax: 256-852-9903 • www.cotiglobal.com



## TI-1680

The Model TI-1680 Indicator is designed to support many applications for the installer, yet maintain simplicity for the operator. Configure the 'F1' Key for Peak, Totalizing (Accumulation), Hold, and Live Weight or disable the 'F1' Key to simplify operation. Dedicated keys are provided for Checkweighing and Process Control. The large LED display is easy to read. Stainless Steel construction means it's washdown safe. Standard communications include two RS-232 ports, one of which is configurable to USB. Many options are available including analog output, RS-485, Bluetooth®, WLAN and expanded I/O.

ORDER INFORMATION	DISCOUNT E	SUGGESTED
<b>Part #</b>		<b>List Price</b>
<b>TI-1680</b>		<b>\$ 687.23</b>
OPTIONS	DISCOUNT G	
<b>P215495110</b>	<b>RS-485 Output</b>	<b>\$ 98.18</b>
<b>215491010</b>	<b>Analog Output</b>	<b>\$ 127.05</b>
<b>Wireless Bluetooth-2.0</b>	<b>100m</b>	<b>\$ 242.55</b>
<b>Wireless Lan</b>		<b>\$ 635.25</b>

### Standard Features & Benefits:

- **DIVISIONS**- NTEP and Canadian Certified for 10,000 Divisions
- **DISPLAYS**- Up to 50,000 Graduations
- **2x SERIAL PORT**- Two Full Duplex RS-232 Serial Port (one port can be configured to USB)
- **ENCLOSURE**- Stainless Steel NEMA 4x / IP65
- **STAND**- Heavy Duty Swivel Mounting Stand
- **DISPLAY**- Large, easy to read LED
- **FULL FRONT PANEL CONFIGURATION**
- **GROSS/NET/TARE**- Print Ticket Mode with 6 digit ID number
- **TARE AND APW**- Stored in Non-Volatile Memory
- **LOAD CELLS**- Drives up to twelve 350 Ω Load Cells
- **INTERNAL POWER SUPPLY**
- **TIME / DATE STANDARD**
- **UNITS**- lb, kg, g, oz, and custom
- **SPECIAL APPLICATIONS**- Piece Counting, Remote Display, Peak Hold, Checkweighing, Batching, Accumulation, Self-diagnostics
- **KEYBOARD TARE ENTRY**
- **KEYBOARD ID ENTRY**
- **PROGRAMMABLE PRINT FORMAT**
- **ONE LOGIC LEVEL INPUT**- For Remote control
- **FOUR CUTOFF OUTPUTS**- For batch weighing

### Specifications:

<b>Load Cell Excitation:</b> +5 VDC	<b>Operating Temperature:</b> 14°F to 104°F (-10°C to 40°C)
<b>Load Cell Current:</b> Drives up to twelve 350 Ω Load Cells	<b>A/D Resolution:</b> Up to 260,000 internal counts at 2 mV/V
<b>Analog Signal Input Range:</b> +/- 3.125 mV/V max	<b>Annunciators:</b> Gross, Net, Tare, Zero, Under, Accept, Over, lb, kg, Stable, 01 - 04
<b>A/D Conversion Rate:</b> 10/80 Hz	<b>Key Functions:</b> Units, Zero, Mode, Tare, Print, C/CE, F1, Set Point, Under, Over, ID, Enter, Dec. Pt., *, 0-9
<b>Analog Sensitivity:</b> 0.3 μV/grad, Minimum 0.6 μV/grad recommended minimum for Legal-for-Trade	<b>Serial Output:</b> Full duplex RS-232C x2
<b>Current Consumption:</b> 30mA + 15mA per 350 Ω Load Cell	<b>Power (Standard):</b> 100-240 VAC, 50/60 Hz
<b>Display Resolution:</b> Up to 50,000 external grads, selectable	<b>Power (Optional):</b> 12 VDC
<b>Canadian Weights &amp; Measures:</b> General Class III at 10,000 division. Approval Number Pending	<b>NIST Classification:</b> H-44 Class III/IIIL at 10,000 divisions
<b>Warranty:</b> 1 year limited warranty applies	NTEP CC: pending
<b>Display:</b> 1.0", 6-Digit LED, Green with tri-color LED bar graph	<b>USB:</b> 2.0, full speed, peripheral

### Dimensions:

310 x 207 x 100 mm (12.20 x 8.15 x 3.94 in.) with stand  
263 x 152 x 90 mm (10.35 x 5.98 x 3.54 in.) without stand



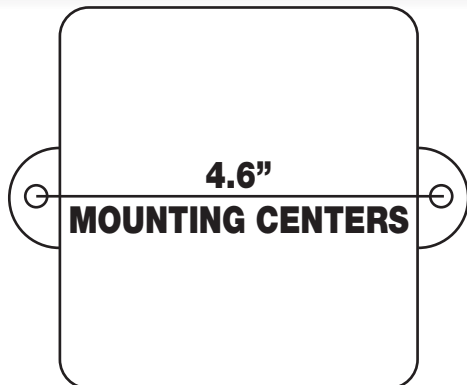
### Options:

RS-485 Communication Port  
Analog Output: 16-Bit, 0-5 VDC (active), 4-20 mA (passive)  
Bluetooth Communication Port  
Expanded I/O



# ▶ Load Cell Protector

Coti Global Sensors • 5699 Highway 53 Harvest, Alabama 35749 • Toll Free: 1-866-762-COTI(2684) • Fax: 256-852-9903 • www.cotiglobal.com



## SCALE-PRO

### Series LCP - Load Cell Transient Protector

#### DIMENSIONS

Standard cable strain reliefs accommodate 0.236-0.472" cables. Optional 1/2" NPT Metal Meyers Hubs available.

External dimensions:

- Height - 4"
- Width - 4"
- Depth - 2.5"
- Weight - 1.4 lbs

Seal gaskets with Perma-tex® #2 Removable Form-A-Gasket for NEMA 4X or NEMA 6 service. This material can be obtained at most auto parts retailers or from the factory by ordering: LCP-SEALKIT

ORDER INFORMATION		DISCOUNT E	SUGGESTED
Part #	Description		List Price
LCP-1	4 Cond cable w/fiberglass enclosure		\$ 254.68

## SPECIFICATIONS

**Protection Type:** Four channel series type with separate shield protection circuitry.

**Protection Levels:** Three active stages on each of four lines. One active stage on the shield.

**Maximum Excitation Voltage:** 18 VDC or 18 VAC

**Clamping Voltage:** 75 VDC or 75 VAC

**Clamping Modes:** Excitation to excitation and all lines to ground. (Normal and common modes)

**Clamping Times:** <100 nanoseconds

**Peak Surge Current:** 5000A any line to ground and 5000A excitation to excitation

**Series Resistance-Input to Output:** 0.32Ω typical

**Series Inductance:** \ 110μH typical

**Leakage to Ground:** 7500 MΩ minimum

**Maximum Serial Data Baud Rate:** 30K baud

**Grounding:** 1/4" silicon bronze bolt/nut assembly through #10 ground wire.

**Cable Entry (standard):** Nylon cord grip, waterproof for 0.236" - 0.472" cables (optional). 1/2" female NPT waterproof conduit fittings.

**Environmental:** LCP-1 is packaged in an enclosure intended for indoor or outdoor service as described by NEMA 1,2,3,11. The enclosure is PVC and inert to most chemicals. This device is not intended for NEMA 4x (pressure washdown) or NEMA 6 (submersion) service as shipped. An optional sealing kit is available. The unit is fully epoxy encapsulated and is not field reliable. This means that only the connectors are exposed to the outside atmosphere. If this unit gets wet, open the enclosure and thoroughly dry it before returning it to service.

**Operating Temperature:** (-10°C) - 40°C per NTEP guidelines

# ▶ Load Cell Protector

Coti Global Sensors • 5699 Highway 53 Harvest, Alabama 35749 • Toll Free: 1-866-762-COTI(2684) • Fax: 256-852-9903 • www.cotiglobal.com

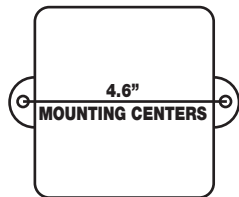


## DIMENSIONS

Standard cable strain reliefs accommodate 0.236-0.472" cables. Optional 1/2" NPT Metal Meyers Hubs available.

External dimensions:

- Height - 4"
- Width - 4"
- Depth - 2.5"
- Weight - 1.4 lbs



Seal gaskets with Perma-tex® #2 Removable Form-A-Gasket for NEMA 4X or NEMA 6 service. This material can be obtained at most auto parts retailers or from the factory by ordering: LCP-SEALKIT

## SCALE-PRO

### Series LCP - Load Cell Transient Protection System

- **Effective Series Transient Protection for Strain Gage Cells, Pressure Transducers and RS-232 Serial Data Lines.**
- **Very Cost Effective-**  
NEMA 1,2,3,11 Enclosure Standard  
10' Ground Cable Included
- **Easy to Install-**  
Large #6 AWG SEMS Hardware  
No Crimping or Tinning Required
- **Full Remote Sensing**  
Protects 6 wire cables
- **Multiple Cell Installations-**  
No recalibration normally required  
Exclusive low leakage design
- **Encapsulated Circuitry-**  
No fungus or corrosion on boards  
If it should ever fail simply replace it
- **Works with Almost any Scale Indicator-**  
Ground Referred - to ±18 VDC
- **Works with 350Ω, 700Ω, or 1,000Ω Cells**
- **Easily sealed to NEMA 4X or 6**  
with optional sealing kit
- **Perfect for Cable Extensions-**  
Use with standard nylon strain reliefs or -  
with optional metal 1/2" NPT fittings

ORDER INFORMATION		DISCOUNT E	SUGGESTED
Part #	Description		List Price
LCP-2	6 Cond cable w/fiberglass enclosure		\$ 291.06

## SPECIFICATIONS

<b>Protection Type:</b>	Six channel series type with separate shield protection circuitry.
<b>Protection Levels:</b>	Three active stages on each of six lines. One active stage on the shield.
<b>Maximum Excitation Voltage:</b>	18 VDC or 18 VAC
<b>Clamping Voltage:</b>	75 VDC or 75 VAC
<b>Clamping Modes:</b>	Excitation to excitation and all lines to ground. (Normal and common modes)
<b>Clamping Times:</b>	<100 nanoseconds
<b>Peak Surge Current:</b>	5000A any line to ground and 5000A excitation to excitation
<b>Series Resistance-Input to Output</b>	0.32Ω typical
<b>Series Inductance:</b>	\ 110μH typical
<b>Leakage to Ground:</b>	7500 MΩ minimum
<b>Maximum Serial Data Baud Rate:</b>	30K baud

<b>Grounding:</b>	1/4" silicon bronze bolt/nut assembly through #10 AWG ground wire.
<b>Cable Entry (standard):</b>	Nylon cord grip, waterproof for 0.236" - 0.472" cables (optional). 1/2" female NPT waterproof conduit fittings.
<b>Environmental:</b>	LCP-2A is packaged in an enclosure intended for indoor or outdoor service as described by NEMA 1,2,3,11. The enclosure is PVC and inert to most chemicals. This device is not intended for NEMA 4x (pressure washdown) or NEMA 6 (submersion) service as shipped. The unit is fully epoxy encapsulated and is not field reliable. This means that only the connectors are exposed to the outside atmosphere. If this unit gets wet, open the enclosure and thoroughly dry it before returning it to service.
<b>Operating Temperature:</b>	(-10°C) - 40°C per NTEP guidelines

# Printers

Coti Global Sensors • 5699 Highway 53 Harvest, Alabama 35749 • Toll Free: 1-866-762-COTI(2684) • Fax: 256-852-9903 • www.cotiglobal.com



## EPSON TM-U220 Tape Printer

- 9-Pin Dot Matrix print head
- High-speed 4.7 to 6.0 lines per second
- Drop-in paper set and auto paper loading
- Automatically transmits changes in printer status
- RS-232
- Optional connect-it cartridges for parallel, USB, 10Base-T

Approvals



### Specifications

#### PRINT SPEED:

Approximately 4.7 lines per second

#### COLUMN CAPACITY:

40/42 or 33/35 columns

#### CHARACTER PER LINE:

40 Characters

#### PRINT AREA:

3" (76.2mm) wide

#### CHARACTER FORMATION

7 x 9 & 9 x 9 dot matrix

#### CHARACTER HEIGHT:

0.12 standard font

#### CHARACTER SET:

95 alphanumeric characters,  
37 international characters,  
128 x 12 graphic characters

#### LINE SPACING:

0.17" (4.32 mm)

#### PRINthead LIFE:

Approximately 100,000,000 strokes/pin

#### FORM THICKNESS:

0.002" to 0.003" (0.06 to 0.085 mm)

#### RIBBON:

Cassette-type purple ribbon. Ribbon life is approximately 1.5 million characters (continuous prints). Black ink also available

#### SERIAL INTERFACES:

RS-232 COMPATIBLE (25-pin D-sub)

#### BAUD RATES:

4800, 9600

#### PARITY:

7 or 8 bits, none, even or odd

#### STOP BITS:

1 OR MORE

#### HANDSHAKING:

DTR/DSR or XON/XOFF  
Control selectable

#### OVERALL DIMENSIONS:

Type A: 6.3"W x 11.3"D x 6.2"H  
(160mm W x 286mm D x 157.5mm H)  
Type D: 6.3"W x 9.7"D x 5.4"H  
(160mm W x 248mm D x 138.5mm H)

#### APPROVALS:

UL Listed, CSA-certified,  
CE marked

#### WARRANTY:

2-year limited warranty  
(includes printhead)

ORDER INFORMATION		DISCOUNT E	SUGGESTED
Part #	Description		List Price
TM-U220D	RS-232, 115/230 VAC		\$ 456.23
TM-U220A	Internal rewind and cutter, RS-232, 115/230 VAC		\$ 687.23
<b>Options/Accessories</b>			
ERC-38B	Ink cartridge (black)		\$ 12.71
SPE-3X3121PB	One-ply paper roll, 3" W x 150' L		\$ 4.62
SPE-3X3122PB	Two-ply paper roll, 3" W x 100' L		\$ 6.93
<b>Cables</b>			
CTG-03019	25-pin Male to 9-pin Female RS-232 serial interface cable		\$ 57.75



# Printers

Coti Global Sensors • 5699 Highway 53 Harvest, Alabama 35749 • Toll Free: 1-866-762-COTI(2684) • Fax: 256-852-9903 • www.cotiglobal.com



## EPSON TM-U295 Ticket Printer

- High-speed 1.9 to 2.3 lines per second printing
- Single copy or up to four-part multicopy ticket printing
- Functions in slave capacity, printing information sent via RS-232



### Specifications

#### PRINT SPEED:

1.9 to 2.3 lines per second (5x7 character, 3 dot line spacing)

#### COLUMN CAPACITY:

35/42 columns

#### CHARACTER PER LINE:

35 standard font

#### PRINT AREA:

2.59" W(65.8mm W)

#### CHARACTER FORMATION

5 x 7 & 7 x 7 dot matrix

#### CHARACTER HEIGHT:

0.11 standard font

#### CHARACTER SET:

Full 96-character ASCII;  
with software  
32 international characters,  
128 x 2 graphic characters

#### LINE SPACING:

0.16" (4.06 mm) software  
programmable in 1/60" units

#### PRINthead LIFE:

Approximately 100,000,000 strokes/pin

#### FORM THICKNESS:

Single-ply - 0.003" to 0.009"  
(0.08 to 0.23 mm)  
Copy paper - 0.003" to 0.014"  
(0.08 to 0.36 mm)

#### RIBBON:

Cassette-type purple ribbon. Ribbon life is approximately 1.5 million characters (continuous prints). Black ink also available.

#### SERIAL INTERFACES:

RS-232 COMPATIBLE (25-pin D-sub)

#### BAUD RATES:

1200, 2400, 4800, 9600 selectable

#### PARITY:

7 or 8 bits, none, even or odd

#### STOP BITS:

1 OR MORE

#### HANDSHAKING:

DTR/DSR or XON/XOFF  
Control selectable

#### OVERALL DIMENSIONS:

7.08"W x 7.49"D x 3.99"H  
(180mm W x 190.5mm D x 101.5mm H)

#### APPROVALS:

UL Listed, CSA-certified,  
CE marked

#### WARRANTY:

1-year limited warranty  
(includes printhead)

ORDER INFORMATION		DISCOUNT E	SUGGESTED
Part #	Description		List Price
TM-U295	Ticket Printer, RS-232, 115/230 VAC		\$ 571.73
<b>Options/Accessories</b>			
ERC-27B	Ink cartridge (black)		\$ 12.71
PS180	Power supply		\$ 115.50
<b>Cables</b>			
CTG-03019	25-pin Male to 9-pin Female RS-232 serial interface cable		\$ 57.75

# ▶ Remote Displays

Coti Global Sensors • 5699 Highway 53 Harvest, Alabama 35749 • Toll Free: 1-866-762-COTI(2684) • Fax: 256-852-9903 • www.cotiglobal.com



## Coti Global Sensors - Remote Displays

The SUPERBRIGHT series of remote displays are designed for years of reliable use with little maintenance. This series uses LED technology for a viable and cost effective solution to both incandescent lighting solutions and mechanical numeric signage. A two year warranty, coupled with an extensive design process ensures a very reliable product at a competitive price.

Input 20MA Current Loop/ RS232/RS422/485

Band Rates 300 to 19200

Voltage accepts 117 VAC @ 2A. 50/60 Hz or 12 VDC @ 2A.

ORDER INFORMATION		DISCOUNT E	SUGGESTED
Part #	Height		List Price
RD-100	1"		\$ 453.92
SBL-2	2"		\$ 906.68
SBL-4	4"		\$1567.34
SBL-6	6"		\$1904.60

\*Advise if interfacing with Fairbanks or Toledo



## Coti Global Sensors - Remote Displays

The SunBuster series is high intensity outdoor remote display with 6" and 3" tall digits. It has NEMA 4X enclosure, automatic learn for quick setup, with RS232-20ma and optional RS485. High brightness LED can be seen in direct sunlight at distances up to 200 feet. 3 inch has a distance of 75 feet. These units have no moving parts which means a long life.

RM models with Polycarbonate Enclosure

ORDER INFORMATION		DISCOUNT E	SUGGESTED
Part #	Height		List Price
RM-3	3"		\$ 999.08
RM-6	6"		\$1449.53

\*Advise if interfacing with Fairbanks or Toledo

# **WEIGHING ASSEMBLIES**

Coti Global Sensors • 5699 Highway 53 Harvest, Alabama 35749 • Toll Free: 1-866-762-COTI(2684) • Fax: 256-852-9903 • www.cotiglobal.com



### Isolated Tension Mount with NTEP "S" Cell

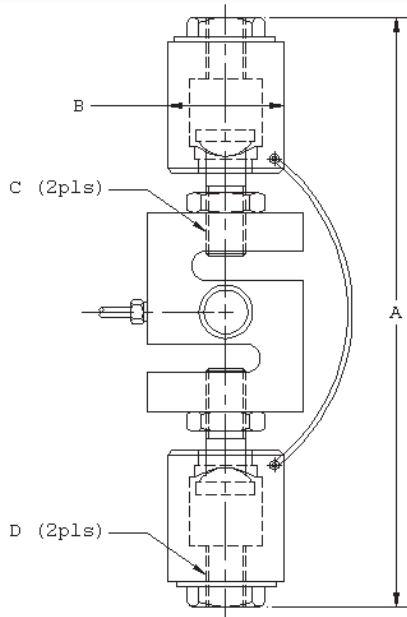
Complete Kit Includes:

- 3 or 4 ITCM Assemblies with CGSB NTEP Certified S-Beam Load Cells.
- 1 SS-316L Stainless Steel Signal Trim Junction Box
- 25' Hostile Environment Cable

Applications:

- Suspended Hoppers & Tanks
- Mechanical Scale Conversions
- Use as a Single Module or in Multiples

Main Dimensions and Accessories



Designed for use in medium capacity tanks, hoppers, and conveyors. The unique swivel design combines multidirectional movement with self checking capabilities. Ideal for indoor or outdoor process control applications. Double electrical isolation with teflon insulator and bonding strap, provides added protection to load cell. Height adjustment available on each module. Load cell thread pattern matches suspension or tension rod thread pattern. Aircraft grade, stainless steel, load stem provides added strength and durability. Main housing is made out of cold drawn steel and coated with Zinc and Clear Chromate plating. Entire assembly will meet or exceed IP67 rating.

Capacity	A	B	C	D
50-200lbs	8.25	1.50	1/4-28 UNF	1/4-20 UNC
250-300lbs	9.75	1.75	3/8-24 UNF	3/8-16 UNC
500lb-3K	10.00	1.75	1/2-20 UNF	1/2-13 UNC
5K-10K	12.88	2.50	3/4-16 UNF	3/4-10 UNC
15K	14.25	2.75	1-14 UNF	1 1/4-7 UNC
20K	17.75	3.50	1 1/4-12 UNF	1 1/2-6 UNC

#### Isolated Tension Mount Assembly with Alloy Steel Load Cell

ORDER INFORMATION	DISCOUNT C	SUGGESTED
Single Module Part #		List Price
*ITCM-50 lb		\$ 377.14
ITCM-100 lb		\$ 377.14
ITCM-200 lb		\$ 377.14
ITCM-250 lb		\$ 377.14
ITCM-300 lb		\$ 377.14
ITCM-500 lb		\$ 388.10
ITCM-750 lb		\$ 388.10
ITCM-1K		\$ 388.10
ITCM-1.5K		\$ 388.10
ITCM-2K		\$ 388.10
ITCM-2.5K		\$ 388.10
ITCM-3K		\$ 388.10
ITCM-5K		\$ 583.88
ITCM-10K		\$ 583.88
ITCM-15K		\$ 874.94
ITCM-20K		\$1,399.88

\*NON-NTEP

#### Isolated Tension Mount Assembly with Alloy Steel Load Cell – 3 Module Kit

ORDER INFORMATION	DISCOUNT C	SUGGESTED
3 Module Kit Part #		List Price
*ITCM-50 lb -3		\$1,131.42
ITCM-100 lb -3		\$1,131.42
ITCM-200 lb -3		\$1,131.42
ITCM-250 lb -3		\$1,131.42
ITCM-300 lb -3		\$1,131.42
ITCM-500 lb -3		\$1,164.30
ITCM-750 lb -3		\$1,164.30
ITCM-1K -3		\$1,164.30
ITCM-1.5K -3		\$1,164.30
ITCM-2K -3		\$1,164.30
ITCM-2.5K -3		\$1,164.30
ITCM-3K -3		\$1,164.30
ITCM-5K -3		\$1,751.64
ITCM-10K -3		\$1,751.64
ITCM-15K -3		\$2,624.82
ITCM-20K -3		\$4,199.64

\*NON-NTEP

#### Isolated Tension Mount Assembly with Alloy Steel Load Cell – 4 Module Kit

ORDER INFORMATION	DISCOUNT C	SUGGESTED
4 Module Kit Part #		List Price
*ITCM-50 lb -4		\$1,508.56
ITCM-100 lb -4		\$1,508.56
ITCM-200 lb -4		\$1,508.56
ITCM-250 lb -4		\$1,508.56
ITCM-300 lb -4		\$1,508.56
ITCM-500 lb -4		\$1,552.40
ITCM-750 lb -4		\$1,552.40
ITCM-1K -4		\$1,552.40
ITCM-1.5K -4		\$1,552.40
ITCM-2K -4		\$1,552.40
ITCM-2.5K -4		\$1,552.40
ITCM-3K -4		\$1,552.40
ITCM-5K -4		\$2,335.52
ITCM-10K -4		\$2,335.52
ITCM-15K -4		\$3,499.76
ITCM-20K -4		\$5,599.52

\*NON-NTEP

# ITCM-SS

## SUSPENSION MOUNT

## For Load Cell Specifications

See Page 26, CGSB SS

Coti Global Sensors • 5699 Highway 53 Harvest, Alabama 35749 • Toll Free: 1-866-762-COTI(2684) • Fax: 256-852-9903 • www.cotiglobal.com



### Isolated Tension Mount with NTEP "S" Cell

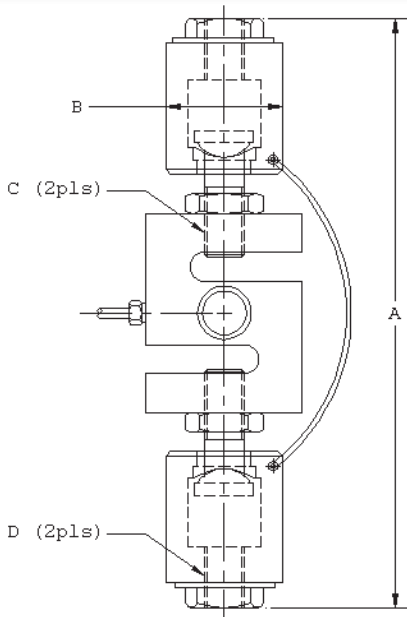
Complete Kit Includes:

- 3 or 4 ITCM Assemblies with CGSB-SS NTEP Certified S-Beam Load Cells.
- 1 SS-34AS Stainless Steel Signal Trim Junction Box
- 25' Hostile Environment Cable

Applications:

- Suspended Hoppers & Tanks
- Mechanical Scale Conversions
- Use as a Single Module or in Multiples

Main Dimensions and Accessories



Designed for use in medium capacity tanks, hoppers, and conveyors. The unique swivel design combines multidirectional movement with self checking capabilities. Ideal for indoor or outdoor process control applications. Double electrical isolation with teflon insulator and bonding strap, provides added protection to load cell. Height adjustment available on each module. Load cell thread pattern matches suspension or tension rod thread pattern. Aircraft grade, stainless steel, load stem provides added strength and durability. Main housing is made out of cold drawn steel and coated with Zinc and Clear Chromate plating. Entire assembly will meet or exceed IP67 rating.

Capacity	A	B	C	D
100-200lbs	8.25	1.50	1/4-28 UNF	1/4-20 UNC
250-300lbs	9.75	1.75	3/8-24 UNF	3/8-16 UNC
500lb-3K	10.00	1.75	1/2-20 UNF	1/2-13 UNC
5K-10K	12.88	2.50	3/4-16 UNF	3/4-10 UNC
15K	14.25	2.75	1-14 UNF	1 1/4-7 UNC
20K	17.75	3.50	1 1/4-12 UNF	1 1/2-6 UNC

#### Isolated Tension Mount Assembly with Stainless Steel Load Cell

ORDER INFORMATION	DISCOUNT C	SUGGESTED
Single Module Part #		List Price
ITCM-100 lb -SS		\$ 527.29
ITCM-200 lb -SS		\$ 527.29
ITCM-250 lb -SS		\$ 527.29
ITCM-300 lb -SS		\$ 527.29
ITCM-500 lb -SS		\$ 538.25
ITCM-750 lb -SS		\$ 538.25
ITCM-1K -SS		\$ 538.25
ITCM-1.5K -SS		\$ 538.25
ITCM-2K -SS		\$ 538.25
ITCM-2.5K -SS		\$ 538.25
ITCM-3K -SS		\$ 538.25
ITCM-5K -SS		\$ 768.68
ITCM-10K -SS		\$ 768.68
ITCM-15K -SS		\$1,042.41
ITCM-20K -SS		\$1,648.20

#### Isolated Tension Mount Assembly with Stainless Steel Load Cell – 3 Module Kit

ORDER INFORMATION	DISCOUNT C	SUGGESTED
3 Module Kit Part #		List Price
ITCM-100 lb -SS-3		\$1,581.87
ITCM-200 lb -SS-3		\$1,581.87
ITCM-250 lb -SS-3		\$1,581.87
ITCM-300 lb -SS-3		\$1,581.87
ITCM-500 lb -SS-3		\$1,614.75
ITCM-750 lb -SS-3		\$1,614.75
ITCM-1K -SS-3		\$1,614.75
ITCM-1.5K -SS-3		\$1,614.75
ITCM-2K -SS-3		\$1,614.75
ITCM-2.5K -SS-3		\$1,614.75
ITCM-3K -SS-3		\$1,614.75
ITCM-5K -SS-3		\$2,306.04
ITCM-10K -SS-3		\$2,306.04
ITCM-15K -SS-3		\$3,127.23
ITCM-20K -SS -3		\$4,944.60

#### Isolated Tension Mount Assembly with Stainless Steel Load Cell – 4 Module Kit

ORDER INFORMATION	DISCOUNT C	SUGGESTED
4 Module Kit Part #		List Price
ITCM-100 lb -SS-4		\$2,109.16
ITCM-200 lb -SS-4		\$2,109.16
ITCM-250 lb -SS-4		\$2,109.16
ITCM-300 lb -SS-4		\$2,109.16
ITCM-500 lb -SS-4		\$2,153.00
ITCM-750 lb -SS-4		\$2,153.00
ITCM-1K -SS-4		\$2,153.00
ITCM-1.5K -SS-4		\$2,153.00
ITCM-2K -SS-4		\$2,153.00
ITCM-2.5K -SS-4		\$2,153.00
ITCM-3K -SS-4		\$2,153.00
ITCM-5K -SS-4		\$3,074.72
ITCM-10K -SS-4		\$3,074.72
ITCM-15K -SS -4		\$4,169.64
ITCM-20K -SS-4		\$6,592.80

# ITCM-SSW

## ► SUSPENSION MOUNT

## ► For Load Cell Specifications See Page 27, CGSB SSW

Coti Global Sensors • 5699 Highway 53 Harvest, Alabama 35749 • Toll Free: 1-866-762-COTI(2684) • Fax: 256-852-9903 • www.cotiglobal.com



### Isolated Tension Mount with "S" Cell

Complete Kit Includes:

- 3 or 4 ITCM Assemblies with CGSB-SSW Stainless Steel, Welded Seal Load Cells.
- 1 SS-34AS Stainless Steel Signal Trim Junction Box
- 25' Hostile Environment Cable

Applications:

- Suspended Hoppers & Tanks
- Mechanical Scale Conversions
- Use as a Single Module or in Multiples



Main Dimensions and Accessories

Designed for use in medium capacity tanks, hoppers, and conveyors. The unique swivel design combines multidirectional movement with self checking capabilities. Ideal for indoor or outdoor process control applications. Double electrical isolation with teflon insulator and bonding strap, provides added protection to load cell. Height adjustment available on each module. Load cell thread pattern matches suspension or tension rod thread pattern. Aircraft grade, stainless steel, load stem provides added strength and durability. Main housing is made out of cold drawn steel and coated with Zinc and Clear Chromate plating. Entire assembly will meet or exceed IP67 rating.

Capacity	A	B	C	D
750lb-3K	10.00	1.75	1/2-20 UNF	1/2-13 UNC
5K-10K	12.88	2.50	3/4-16 UNF	3/4-10 UNC
15K	14.25	2.75	1-14 UNF	1 1/4-7 UNC
20K	17.75	3.50	1 1/4-12 UNF	1 1/2-6 UNC

#### Isolated Tension Mount Assembly with Stainless Steel Welded Seal Load Cell

ORDER INFORMATION	DISCOUNT C	SUGGESTED
Single Module Part #		List Price
ITCM-750 lb-SSW		\$ 803.90
ITCM-1K -SSW		\$ 803.90
ITCM-1.5K-SSW		\$ 803.90
ITCM-2K -SSW		\$ 803.90
ITCM-2.5K-SSW		\$ 803.90
ITCM-3K-SSW		\$ 803.90
ITCM-5K-SSW		\$1,017.00
ITCM-10K-SSW		\$1,017.00
ITCM-15K-SSW		\$1,388.91
ITCM-20K-SSW		\$1,873.43

#### Isolated Tension Mount Assembly with Stainless Steel Welded Seal Load Cell – 3 Module Kit

ORDER INFORMATION	DISCOUNT C	SUGGESTED
3 Module Kit Part #		List Price
ITCM-750 lb-SSW -3		\$2,411.70
ITCM-1K-SSW -3		\$2,411.70
ITCM-1.5K -SSW-3		\$2,411.70
ITCM-2K -SSW-3		\$2,411.70
ITCM-2.5K -SSW-3		\$2,411.70
ITCM-3K -SSW-3		\$2,411.70
ITCM-5K-SSW -3		\$3,051.00
ITCM-10K -SSW-3		\$3,051.00
ITCM-15K -SSW-3		\$4,166.73
ITCM-20K -SSW-3		\$5,620.29

#### Isolated Tension Mount Assembly with Stainless Steel Welded Seal Load Cell – 4 Module Kit

ORDER INFORMATION	DISCOUNT C	SUGGESTED
4 Module Kit Part #		List Price
ITCM-750 lb -SSW-4		\$3,215.60
ITCM-1K -SSW-4		\$3,215.60
ITCM-1.5K -SSW-4		\$3,215.60
ITCM-2K -SSW-4		\$3,215.60
ITCM-2.5K -SSW-4		\$3,215.60
ITCM-3K -SSW-4		\$3,215.60
ITCM-5K -SSW-4		\$4,068.00
ITCM-10K-SSW-4		\$4,068.00
ITCM-15K -SSW-4		\$5,555.64
ITCM-20K -SSW-4		\$7,493.72



# CG-412M

▶ TANK MOUNT

▶ For Load Cell Specifications  
See Page 15, CG-412

Coti Global Sensors • 5699 Highway 53 Harvest, Alabama 35749 • Toll Free: 1-866-762-COTI(2684) • Fax: 256-852-9903 • www.cotiglobal.com



## Coti Global Sensors - Model CG-412M Low Profile Canister Tank Mount Assembly, Includes Load Cell

Complete Kit Includes:

- 3 or 4 CG-412M stainless steel mounting assemblies
- 1 SS-34AS stainless steel signal trim junction box
- 25' Hostile Environment Cable

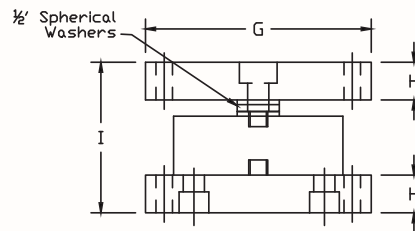
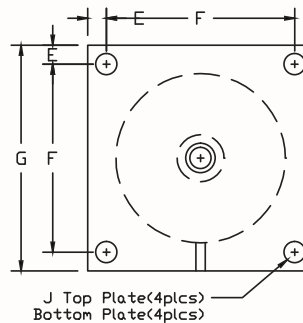
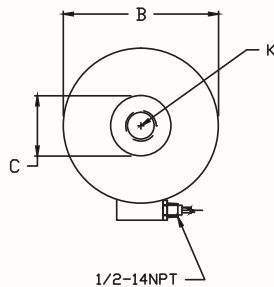
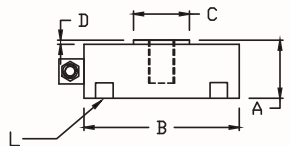
Applications:

- Tank, hopper, silo, batching and blending



Unit is hermetically sealed, self checking, and supplied with integral mounting plates. Simplified installation and long-term reliable operation.

Main Dimensions and Accessories



RATED CAPACITY	DIMENSIONS										
	A	B	C	D	E	F	G	H	I	J	K
MOUNT & LOAD CELL											
10K-25K	-	-	-	-	0.50	5.00	6.00	1.00	4.00	0.56	-
30K-50K	-	-	-	-	0.75	6.50	8.00	1.25	5.00	0.69	-
LOAD CELL ONLY											
10K-25K	2.18	4.50	1.62	0.50	3/8-24UNF x 1.00 deep						3/4-16UNF x 1.00 deep
30K-50K	2.51	4.50	1.62	0.50	3/8-24UNF x 1.00 deep						3/4-16UNF x 1.00 deep

### Stainless Steel Load Cell with Stainless Steel Plates Single Module

ORDER INFORMATION	DISCOUNT C	SUGGESTED
Part #		List Price
CG-412M-10K		\$ 1,576.58
CG-412M-15K		\$ 1,576.58
CG-412M-20K		\$ 1,576.58
CG-412M-25K		\$ 1,576.58
CG-412M-30K		\$ 1,576.58
CG-412M-50K		\$ 1,576.58

### Stainless Steel Load Cell with Stainless Steel Plates 3-Module Kit

ORDER INFORMATION	DISCOUNT C	SUGGESTED
Part #		List Price
CG-412M-10K-3		\$ 4,729.74
CG-412M-15K-3		\$ 4,729.74
CG-412M-20K-3		\$ 4,729.74
CG-412M-25K-3		\$ 4,729.74
CG-412M-30K-3		\$ 4,729.74
CG-412M-50K-3		\$ 4,729.74

### Stainless Steel Load Cell with Stainless Steel Plates 4-Module Kit

ORDER INFORMATION	DISCOUNT C	SUGGESTED
Part #		List Price
CG-412M-10K-4		\$ 6,306.32
CG-412M-15K-4		\$ 6,306.32
CG-412M-20K-4		\$ 6,306.32
CG-412M-25K-4		\$ 6,306.32
CG-412M-30K-4		\$ 6,306.32
CG-412M-50K-4		\$ 6,306.32



# CG-94M-MS

TANK MOUNT

For Load Cell Specifications  
See Page 19, CG-94

Coti Global Sensors • 5699 Highway 53 Harvest, Alabama 35749 • Toll Free: 1-866-762-COTI(2684) • Fax: 256-852-9903 • www.cotiglobal.com



## Coti Global Sensors - Model CG-94M-MS Mounting Assembly with Load Cell

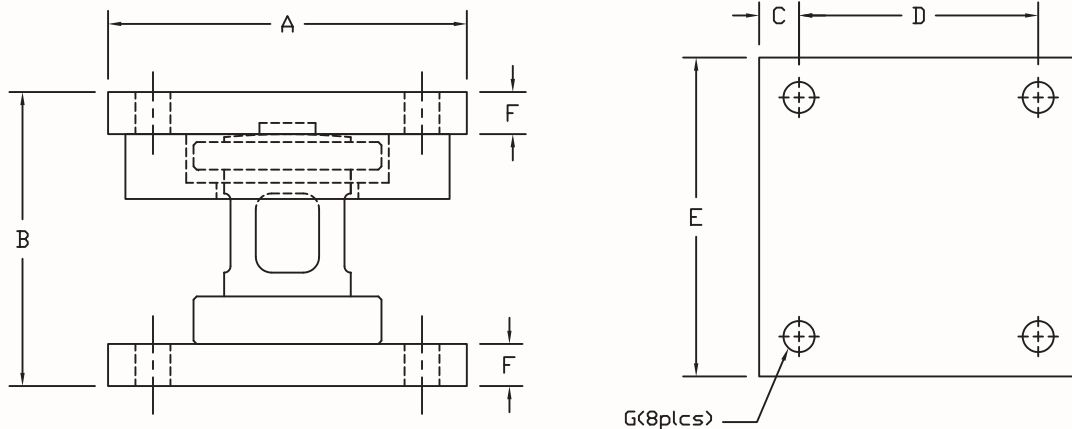
Complete Kit Includes:

- 3 or 4 CG-94 Alloy Steel Load Cells
- 3 or 4 CG-94M Integral mounting plates
- 1 SS-34AS stainless steel signal trim junction box
- 25' Hostile Environment Cable

Applications:

- Heavy-capacity tanks, bins, reactors,  
large-capacity storage silos

Main Dimensions and Accessories



RATED CAPACITY	DIMENSIONS												
					A	B	C	D	E	F	G		
50K					8.00	5.13	1.00	6.00	8.00	0.94	0.78		
100K					10.00	7.38	1.25	7.50	10.00	1.19	1.12		
200K					12.00	9.50	1.75	8.50	12.00	1.44	1.63		
300K					14.00	11.00	2.25	9.50	14.00	1.94	1.63		

### Alloy Steel Load Cell with Mild Steel Mount Single Module

ORDER INFORMATION	DISCOUNT C	SUGGESTED
Part #		List Price
CG-94M-50K-MS		\$ 1,224.88
CG-94M-100K-MS		\$ 1,527.49
CG-94M-200K-MS		\$ 2,474.59
CG-94M-300K-MS		\$ 2,959.69

### Alloy Steel Load Cell with Mild Steel Mount 3-Module Kit

ORDER INFORMATION	DISCOUNT C	SUGGESTED
Part #		List Price
CG-94M-50K-MS-3		\$ 3,674.64
CG-94M-100K-MS-3		\$ 4,582.47
CG-94M-200K-MS-3		\$ 7,423.77
CG-94M-300K-MS-3		\$ 8,879.07

### Alloy Steel Load Cell with Mild Steel Mount 4-Module Kit

ORDER INFORMATION	DISCOUNT C	SUGGESTED
Part #		List Price
CG-94M-50K-MS-4		\$ 4,899.52
CG-94M-100K-MS-4		\$ 6,109.96
CG-94M-200K-MS-4		\$ 9,898.36
CG-94M-300K-MS-4		\$ 11,838.76

# CG-94M-SM

TANK MOUNT

For Load Cell Specifications  
See Page 19, CG-94

Coti Global Sensors • 5699 Highway 53 Harvest, Alabama 35749 • Toll Free: 1-866-762-COTI(2684) • Fax: 256-852-9903 • www.cotiglobal.com



## Coti Global Sensors - Model CG-94M-SM Mounting Assembly with Load Cell

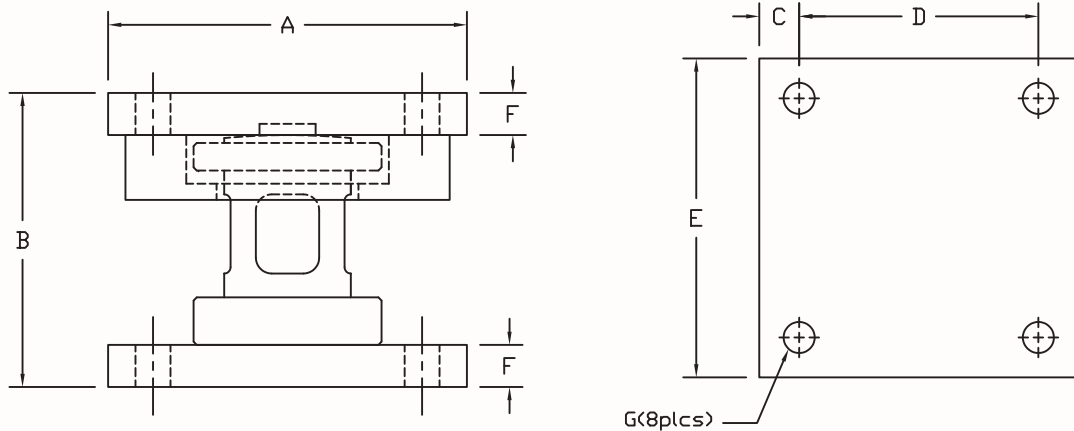
Complete Kit Includes:

- 3 or 4 CG-94 Stainless Steel Load Cells
- 3 or 4 CG-94M Integral mounting plates
- 1 SS-34AS stainless steel signal trim junction box
- 25' Hostile Environment Cable

Applications:

- Heavy-capacity tanks, bins, reactors,  
large-capacity storage silos

Main Dimensions and Accessories



RATED CAPACITY	DIMENSIONS												
					A	B	C	D	E	F	G		
50K					8.00	5.13	1.00	6.00	8.00	0.94	0.78		
100K					10.00	7.38	1.25	7.50	10.00	1.19	1.12		
200K					12.00	9.50	1.75	8.50	12.00	1.44	1.63		
300K					14.00	11.00	2.25	9.50	14.00	1.94	1.63		

### Stainless Steel Load Cell with Mild Steel Mount Single Module

ORDER INFORMATION	DISCOUNT C	SUGGESTED
Part #		List Price
CG-94M-50K-SM		\$ 1,513.63
CG-94M-100K-SM		\$ 2,078.74
CG-94M-200K-SM		\$ 3,183.34
CG-94M-300K-SM		\$ 3,668.44

### Stainless Steel Load Cell with Mild Steel Mount 3-Module Kit

ORDER INFORMATION	DISCOUNT C	SUGGESTED
Part #		List Price
CG-94M-50K-SM-3		\$ 4,540.89
CG-94M-100K-SM-3		\$ 6,236.22
CG-94M-200K-SM-3		\$ 9,550.02
CG-94M-300K-SM-3		\$11,005.32

### Stainless Steel Load Cell with Mild Steel Mount 4-Module Kit

ORDER INFORMATION	DISCOUNT C	SUGGESTED
Part #		List Price
CG-94M-50K-SM-4		\$ 6,054.52
CG-94M-100K-SM-4		\$ 8,314.96
CG-94M-200K-SM-4		\$ 12,733.36
CG-94M-300K-SM-4		\$ 14,673.76

# CG-SP9M

TANK MOUNT

For Load Cell Specifications

See Page 17, CG-SP9

Coti Global Sensors • 5699 Highway 53 Harvest, Alabama 35749 • Toll Free: 1-866-762-COTI(2684) • Fax: 256-852-9903 • www.cotiglobal.com



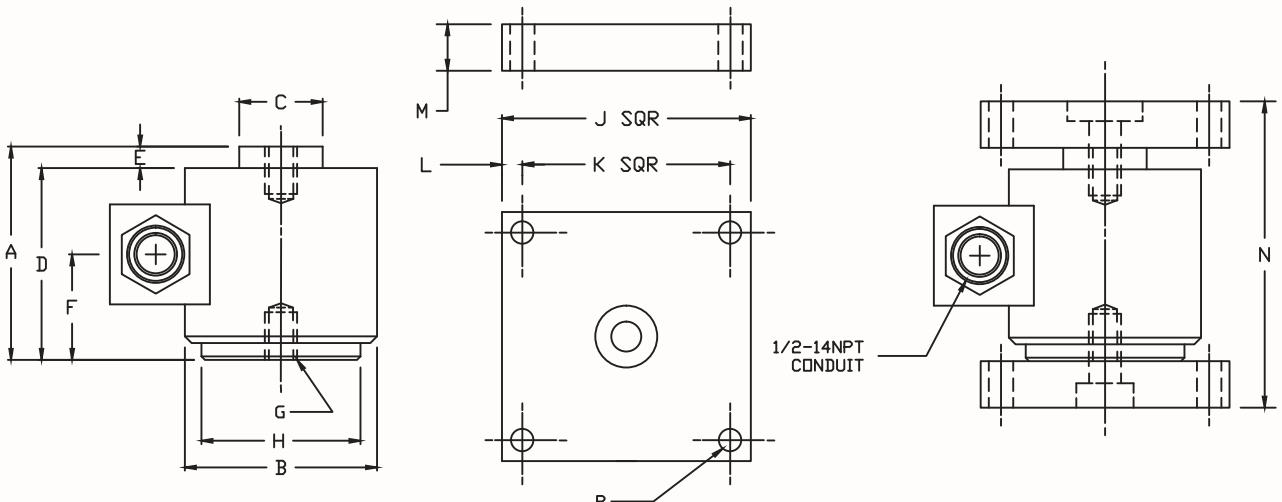
## Coti Global Sensors - Model CG-SP9 Canister Tank Mount Assembly, Includes Load Cell

Tank mount assembly uses a hermetically sealed canister load cell with two attached mounting plates. The lower plate is rigidly mounted to the load cell. The top plate allows horizontal expansion but does not separate from the load cell. All Stainless Steel Construction.

ORDER INFORMATION		DISCOUNT C	SUGGESTED
Part #	Capacity		List Price
CG-SP9M-1K-5	1K	5" Plates	\$1,463.97
CG-SP9M-2K-5	2K	5" Plates	\$1,463.97
CG-SP9M-2.5K-5	2.5K	5" Plates	\$1,463.97
CG-SP9M-5K-5	5K	5" Plates	\$1,463.97
CG-SP9M-10K-5	10K	5" Plates	\$1,463.97
CG-SP9M-20K-5	20K	5" Plates	\$1,463.97
CG-SP9M-25K-5	25K	5" Plates	\$1,463.97
CG-SP9M-50K-5	50K	5" Plates	\$1,463.97
CG-SP9M-100K-5	100K	5" Plates	\$1,579.47
CG-SP9M-1K-8	1K	8" Plates	\$1,645.88
CG-SP9M-2K-8	2K	8" Plates	\$1,645.88
CG-SP9M-2.5K-8	2.5K	8" Plates	\$1,645.88
CG-SP9M-5K-8	5K	8" Plates	\$1,645.88
CG-SP9M-10K-8	10K	8" Plates	\$1,645.88
CG-SP9M-20K-8	20K	8" Plates	\$1,645.88
CG-SP9M-25K-8	25K	8" Plates	\$1,645.88
CG-SP9M-50K-8	50K	8" Plates	\$1,645.88
CG-SP9M-100K-8	100K	8" Plates	\$1,761.38
CG-SP9M-150K-8	150K	8" Plates	\$2,223.38
CG-SP9M-200K-8	200K	8" Plates	\$2,223.38
CG-SP9M-250K-8	250K	8" Plates	\$2,223.38



Main Dimensions and Accessories



RATED CAPACITIES	DIMENSIONS													
	A	B	C	D	E	F	G (2 PLS)	H	J	K	L	M	N	P
1K-50K	3.25	3.00	1.25	2.82	0.43	1.57	1/2-20UNF x.50deep	2.28						
100K	5.00	4.00	2.31	4.43	0.57	2.44	1/2-20UNF x.50deep	3.13						
150K-250K	7.25	6.00	3.00	6.25	1.00	3.34	1/2-20UNF x.50deep	5.28						
1K-50K w/5" PLATES									5.00	3.50	0.75	1.00	5.25	0.56
1K-50K w/8" PLATES									8.00	6.00	1.00	1.00	5.25	0.56
100K w/5" PLATES									5.00	3.50	0.75	1.00	7.00	0.62
100K w/8" PLATES									8.00	6.00	1.00	1.00	7.00	0.62
150K-250K w/8" PLATES									8.00	6.00	1.00	1.00	9.25	0.62

# CG-23M-MS

TANK MOUNT

For Load Cell Specifications

See Page 37, CG-23

Coti Global Sensors • 5699 Highway 53 Harvest, Alabama 35749 • Toll Free: 1-866-762-COTI(2684) • Fax: 256-852-9903 • www.cotiglobal.com



## Coti Global Sensors - CG-23M-MS Load Cell Mount Assembly Includes Load Cell

Complete Kit Includes:

- 3 or 4 CG-23 NTEP Certified Alloy Steel load cells
- 3 or 4 CG-23M compression mounts
- 1 SS-34AS stainless steel signal trim junction box
- 25' Hostile Environment Cable

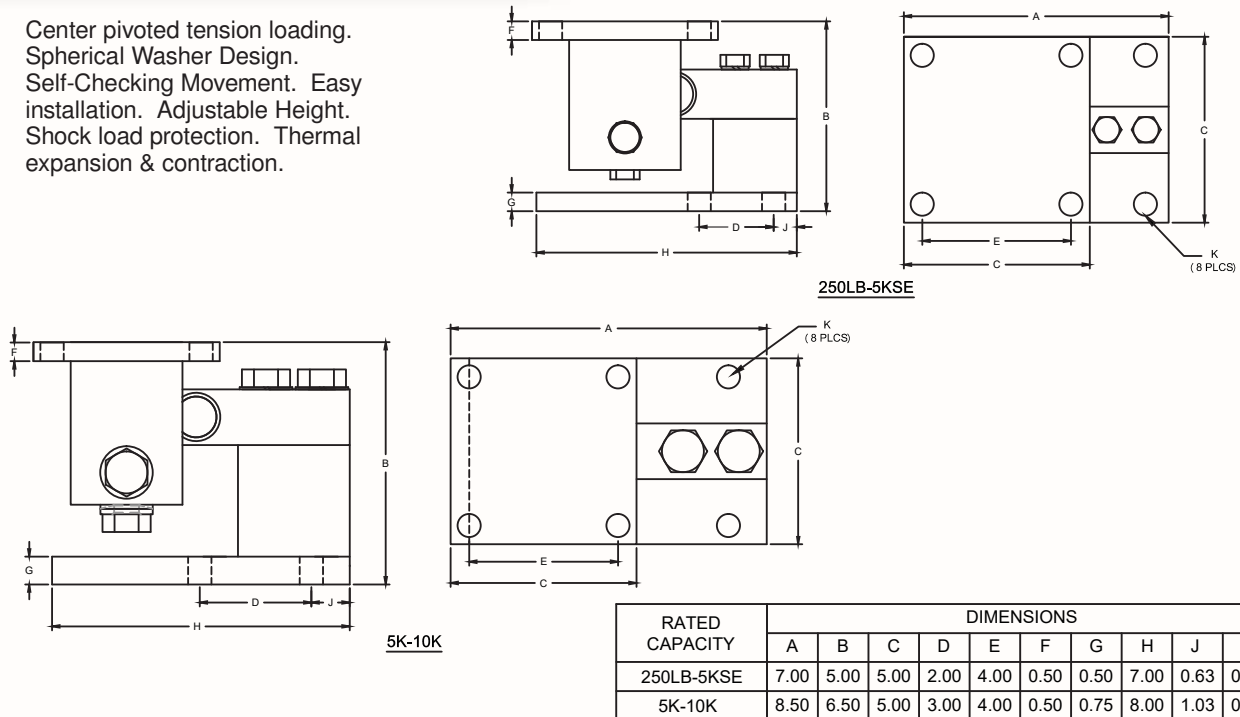
Applications:

- Conveyors
- Light to Medium-Capacity Tanks and Hoppers
- Powder & Bulk Processing



Center pivoted tension loading. Spherical Washer Design. Self-Checking Movement. Easy installation. Adjustable Height. Shock load protection. Thermal expansion & contraction.

Main Dimensions and Accessories



### Alloy Steel Load Cell with Mild Steel Mount

ORDER INFORMATION	DISCOUNT C	SUGGESTED
Part #		List Price
CG-23M-250#-MS		\$ 584.72
CG-23M-500#-MS		\$ 584.72
CG-23M-1K-MS		\$ 584.72
CG-23M-1.5K-MS		\$ 584.72
CG-23M-2K-MS		\$ 584.72
CG-23M-2.5K-MS		\$ 584.72
CG-23M-4K-MS		\$ 584.72
CG-23M-5Kse-MS		\$ 584.72
CG-23M-5Kle-MS		\$ 742.09
CG-23M-10K-MS		\$ 742.09

### Alloy Steel Load Cell with Mild Steel Mount 3-Module Kit

ORDER INFORMATION	DISCOUNT C	SUGGESTED
Part #		List Price
CG-23M-250#-MS-3		\$ 1,754.16
CG-23M-500#-MS-3		\$ 1,754.16
CG-23M-1K-MS-3		\$ 1,754.16
CG-23M-1.5K-MS-3		\$ 1,754.16
CG-23M-2K-MS-3		\$ 1,754.16
CG-23M-2.5K-MS-3		\$ 1,754.16
CG-23M-4K-MS-3		\$ 1,754.16
CG-23M-5Kse-MS-3		\$ 1,754.16
CG-23M-5Kle-MS-3		\$ 2,226.27
CG-23M-10K-MS-3		\$ 2,226.27

### Alloy Steel Load Cell with Mild Steel Mount 4-Module Kit

ORDER INFORMATION	DISCOUNT C	SUGGESTED
Part #		List Price
CG-23M-250#-MS-4		\$ 2,338.88
CG-23M-500#-MS-4		\$ 2,338.88
CG-23M-1K-MS-4		\$ 2,338.88
CG-23M-1.5K-MS-4		\$ 2,338.88
CG-23M-2K-MS-4		\$ 2,338.88
CG-23M-2.5K-MS-4		\$ 2,338.88
CG-23M-4K-MS-4		\$ 2,338.88
CG-23M-5Kse-MS-4		\$ 2,338.88
CG-23M-5Kle-MS-4		\$ 2,968.36
CG-23M-10K-MS-4		\$ 2,968.36

# CG-23M-SS

## TANK MOUNT

For Load Cell Specifications  
See Page 39, CG-23-SS

Coti Global Sensors • 5699 Highway 53 Harvest, Alabama 35749 • Toll Free: 1-866-762-COTI(2684) • Fax: 256-852-9903 • www.cotiglobal.com



### Coti Global Sensors - CG-23M-SS Load Cell Mount Assembly Includes Load Cell

Complete Kit Includes:

- 3 or 4 CG-23 SS NTEP Stainless Steel Certified load cells
- 3 or 4 CG-23M compression mounts
- 1 SS-34AS stainless steel signal trim junction box
- 25' Hostile Environment Cable

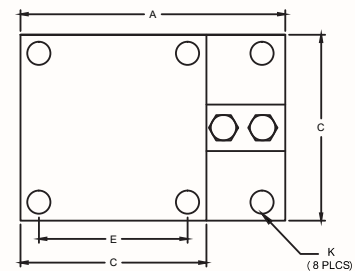
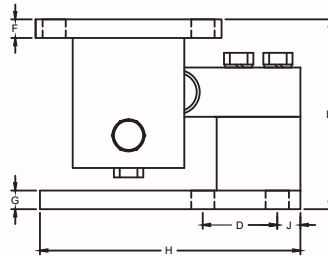
Applications:

- Conveyors
- Light to Medium-Capacity Tanks and Hoppers
- Powder & Bulk Processing

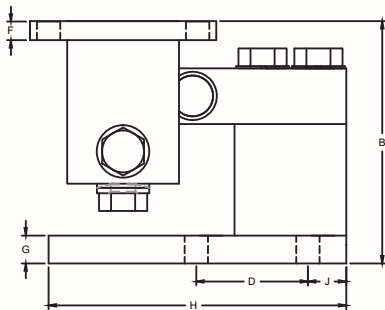


Center pivoted tension loading.  
Spherical Washer Design.  
Self-Checking Movement. Easy installation. Adjustable Height.  
Shock load protection. Thermal expansion & contraction.

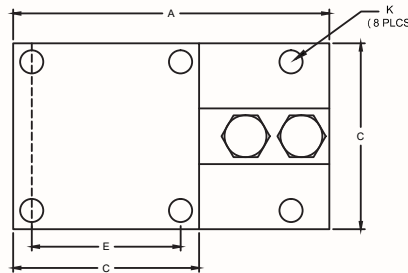
Main Dimensions and Accessories



250LB-5KSE



5K-10K



RATED CAPACITY	DIMENSIONS									
	A	B	C	D	E	F	G	H	J	K
250LB-5KSE	7.00	5.00	5.00	2.00	4.00	0.50	0.50	7.00	0.63	0.62
5K-10K	8.50	6.50	5.00	3.00	4.00	0.50	0.75	8.00	1.03	0.62

#### Stainless Steel Load Cell with Stainless Steel Mount

ORDER INFORMATION	DISCOUNT C	SUGGESTED
Part #		List Price
CG-23M-250#-SS		\$ 942.77
CG-23M-500#-SS		\$ 942.77
CG-23M-1K-SS		\$ 942.77
CG-23M-1.5K-SS		\$ 942.77
CG-23M-2K-SS		\$ 942.77
CG-23M-2.5K-SS		\$ 942.77
CG-23M-4K-SS		\$ 942.77
CG-23M-5Kse-SS		\$ 942.77
CG-23M-5Kle-SS		\$1,048.16
CG-23M-10K-SS		\$1,048.16

#### Stainless Steel Load Cell with Stainless Steel Mount 3-Module Kit

ORDER INFORMATION	DISCOUNT C	SUGGESTED
Part #		List Price
CG-23M-250#-SS-3		\$ 2,828.31
CG-23M-500#-SS-3		\$ 2,828.31
CG-23M-1K-SS-3		\$ 2,828.31
CG-23M-1.5K-SS-3		\$ 2,828.31
CG-23M-2K-SS-3		\$ 2,828.31
CG-23M-2.5K-SS-3		\$ 2,828.31
CG-23M-4K-SS-3		\$ 2,828.31
CG-23M-5Kse-SS-3		\$ 2,828.31
CG-23M-5Kle-SS-3		\$ 3,144.48
CG-23M-10K-SS-3		\$ 3,144.48

#### Stainless Steel Load Cell with Stainless Steel Mount 4-Module Kit

ORDER INFORMATION	DISCOUNT C	SUGGESTED
Part #		List Price
CG-23M-250#-SS-4		\$ 3,771.08
CG-23M-500#-SS-4		\$ 3,771.08
CG-23M-1K-SS-4		\$ 3,771.08
CG-23M-1.5K-SS-4		\$ 3,771.08
CG-23M-2K-SS-4		\$ 3,771.08
CG-23M-2.5K-SS-4		\$ 3,771.08
CG-23M-4K-SS-4		\$ 3,771.08
CG-23M-5Kse-SS-4		\$ 3,771.08
CG-23M-5Kle-SS-4		\$ 4,192.64
CG-23M-10K-SS-4		\$ 4,192.64

# CG-23M-SSW

TANK MOUNT

For Load Cell Specifications

See Pages 41, 42, CG-23-SSW-02, CG-23-SSW-03

Coti Global Sensors • 5699 Highway 53 Harvest, Alabama 35749 • Toll Free: 1-866-762-COTI(2684) • Fax: 256-852-9903 • www.cotiglobal.com



## Coti Global Sensors - CG-23M-SSW Load Cell Mount Assembly Includes Load Cell

Complete Kit Includes:

- 3 or 4 CG-23 SSW NTEP Certified Stainless Steel welded load cells
- 3 or 4 CG-23M compression mounts
- 1 SS-34AS stainless steel signal trim junction box
- 25' Hostile Environment Cable

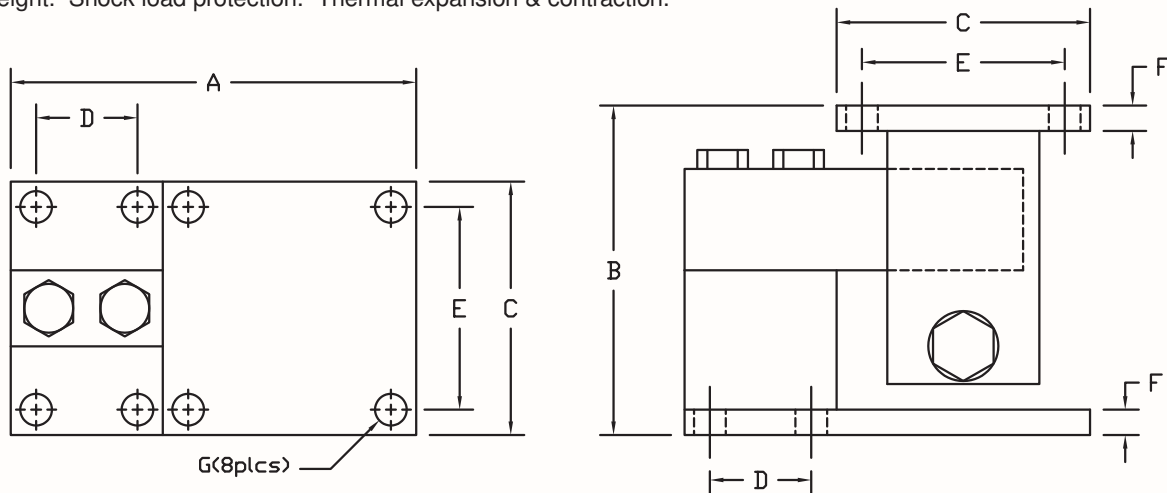
Applications:

- Conveyors
- Light to Medium-Capacity Tanks and Hoppers
- Powder & Bulk Processing



Center pivoted tension loading. Spherical Washer Design. Self-Checking Movement. Easy installation. Adjustable Height. Shock load protection. Thermal expansion & contraction.

Main Dimensions and Accessories



RATED CAPACITY	DIMENSIONS						
	A	B	C	D	E	F	G
250LB-5KSE	7.00	5.00	5.00	2.00	4.00	0.50	0.62
5K-10K	8.00	6.50	5.00	3.00	4.00	0.75	0.62

### Stainless Steel Welded Load Cell with Stainless Steel Mount

ORDER INFORMATION	DISCOUNT C	SUGGESTED
Part #		List Price
CG-23M-1K-SSW		\$ 983.20
CG-23M-1.5K-SSW		\$ 983.20
CG-23M-2K-SSW		\$ 983.20
CG-23M-2.5K-SSW		\$ 983.20
CG-23M-4K-SSW		\$ 983.20
CG-23M-5K <sub>se</sub> -SSW		\$ 983.20
CG-23M-5K <sub>le</sub> -SSW		\$1,100.14
CG-23M-10K-SSW		\$1,100.14

### Stainless Steel Welded Load Cell with Stainless Steel Mount 3-Module Kit

ORDER INFORMATION	DISCOUNT C	SUGGESTED
Part #		List Price
CG-23M-1K-SSW-3		\$ 2,949.60
CG-23M-1.5K-SSW-3		\$ 2,949.60
CG-23M-2K-SSW-3		\$ 2,949.60
CG-23M-2.5K-SSW-3		\$ 2,949.60
CG-23M-4K-SSW-3		\$ 2,949.60
CG-23M-5K <sub>se</sub> -SSW-3		\$ 2,949.60
CG-23M-5K <sub>le</sub> -SSW-3		\$ 3,300.42
CG-23M-10K-SSW-3		\$ 3,300.42

### Stainless Steel Welded Load Cell with Stainless Steel Mount 4-Module Kit

ORDER INFORMATION	DISCOUNT C	SUGGESTED
Part #		List Price
CG-23M-1K-SSW-4		\$ 3,932.80
CG-23M-1.5K-SSW-4		\$ 3,932.80
CG-23M-2K-SSW-4		\$ 3,932.80
CG-23M-2.5K-SSW-4		\$ 3,932.80
CG-23M-4K-SSW-4		\$ 3,932.80
CG-23M-5K <sub>se</sub> -SSW-4		\$ 3,932.80
CG-23M-5K <sub>le</sub> -SSW-4		\$ 4,400.56
CG-23M-10K-SSW-4		\$ 4,400.56



# CG-59M-MS

## TANK WEIGHING MODULE

## For Load Cell Specifications

See Page 37, CG-23

Coti Global Sensors • 5699 Highway 53 Harvest, Alabama 35749 • Toll Free: 1-866-762-COTI(2684) • Fax: 256-852-9903 • www.cotiglobal.com



### Coti Global Sensors - CG-59M Neoprene Isolation Includes Load Cell

Complete Kit Includes:

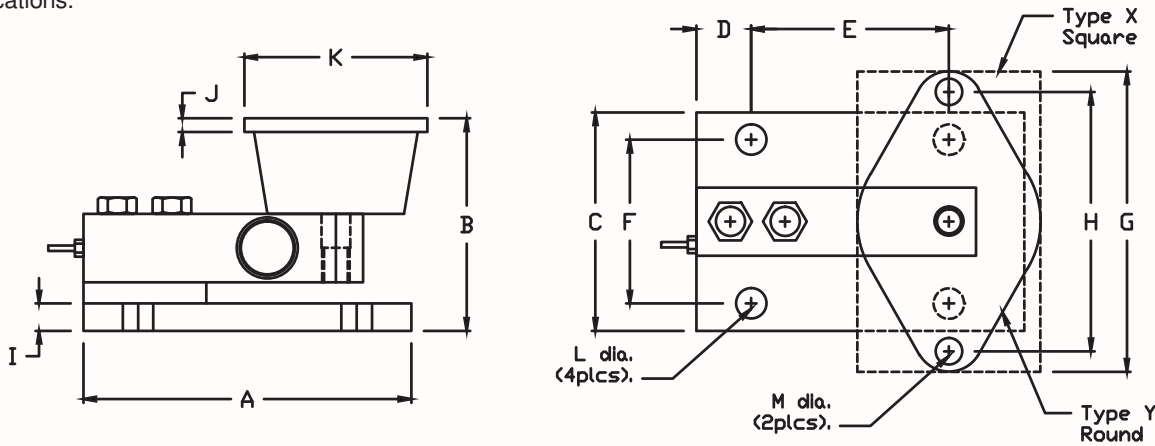
- 3 or 4 CG-23 Alloy Steel load cells.
- 3 or 4 neoprene isolation/compression mounts.
- 1 SS-34AS stainless steel signal trim junction box.
- 25' Hostile Environment Cable

Applications:

- Small tanks and hoppers
- Conveyor/In-motion weighing
- Small platform scales

The CG-59M is designed for use in light to medium capacity tanks, bins, hoppers and conveyors. The unique neoprene isolation pad accommodates vibration, thermal expansion and alignment. Ideal for indoor or outdoor process control applications.

Main Dimensions and Accessories



RATED CAPACITY	DIMENSIONS														TYPE
	A	B	C	D	E	F	G	H	I	J	K	L	M		
500LB	6.00	3.88	4.00	1.00	4.00	3.00	5.50	4.13	0.50	0.25	3.38	0.44	0.56	Y	
1K	6.00	4.00	4.00	1.00	4.00	3.00	5.13	4.13	0.50	0.25	3.00	0.44	0.44	X	
1.5K-2.5K	6.00	4.00	4.00	1.00	4.00	3.00	6.25	5.00	0.50	0.38	4.62	0.44	0.56	X	
4K-5KSE	6.00	4.50	4.00	1.00	4.00	3.00	6.25	5.00	1.00	0.38	4.62	0.47	0.56	X	

#### Alloy Load Cell with Stainless Steel Mount

ORDER INFORMATION	DISCOUNT C	SUGGESTED
Part #		List Price
CG-59M-500LB-MS		\$ 590.78
CG-59M-1K-MS		\$ 590.78
CG-59M-1.5K-MS		\$ 590.78
CG-59M-2K-MS		\$ 590.78
CG-59M-2.5K-MS		\$ 590.78
CG-59M-4K-MS		\$ 590.78
CG-59M-5Kse-MS		\$ 590.78

#### Alloy Load Cell with Stainless Steel Mount 3-Module Kit

ORDER INFORMATION	DISCOUNT C	SUGGESTED
Part #		List Price
CG-59M-500lb-MS -3		\$ 1,772.34
CG-59M-1K-MS -3		\$ 1,772.34
CG-59M-1.5K-MS -3		\$ 1,772.34
CG-59M-2K-MS -3		\$ 1,772.34
CG-59M-2.5K-MS -3		\$ 1,772.34
CG-59M-4K-MS -3		\$ 1,772.34
CG-59M-5Kse-MS -3		\$ 1,772.34

#### Alloy Load Cell with Stainless Steel Mount 4-Module Kit

ORDER INFORMATION	DISCOUNT C	SUGGESTED
Part #		List Price
CG-59M-500lb -MS -4		\$ 2,363.12
CG-59M-1K-MS -4		\$ 2,363.12
CG-59M-1.5K-MS -4		\$ 2,363.12
CG-59M-2K-MS -4		\$ 2,363.12
CG-59M-2.5K-MS -4		\$ 2,363.12
CG-59M-4K-MS -4		\$ 2,363.12
CG-59M-5Kse-MS -4		\$ 2,363.12



# CG-59M-SS

## TANK WEIGHING MODULE

For Load Cell Specifications

See Page 44, CG-60040 25 lb - 250 lb

See Page 39, CG-23-SS

Coti Global Sensors • 5699 Highway 53 Harvest, Alabama 35749 • Toll Free: 1-866-762-COTI(2684) • Fax: 256-852-9903 • www.cotiglobal.com



### Coti Global Sensors - CG-59M-SS Neoprene Isolation Includes Load Cell

Complete Kit Includes:

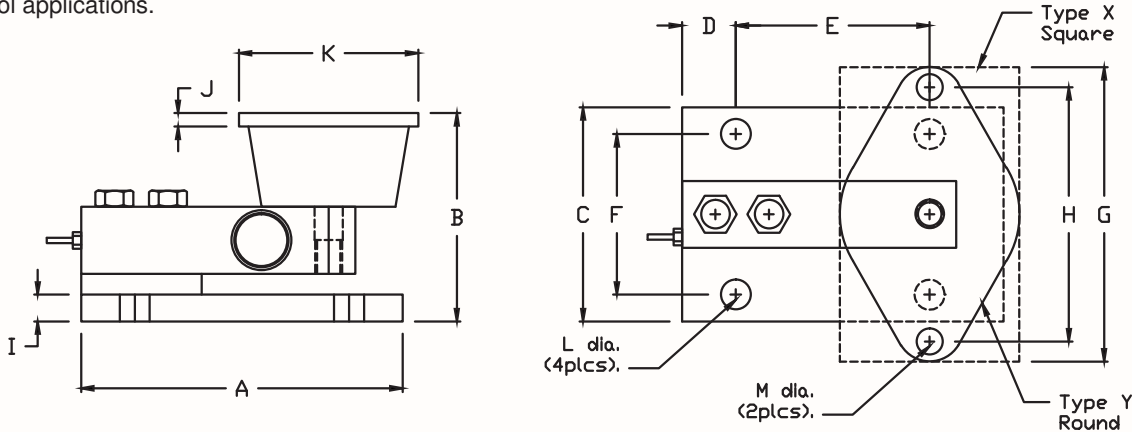
- 3 or 4 CG-60040 stainless steel single-ended beam load cells (25 lb - 250 lb models)
- 3 or 4 CG-23-SS, Stainless Steel load cells.
- 3 or 4 neoprene isolation/compression mounts.
- 1 SS-34AS stainless steel signal trim junction box.
- 25' Hostile Environment Cable

Applications:

- Small tanks and hoppers
- Conveyor/In-motion weighing
- Small platform scales

The CG-59M-SS is designed for use in light to medium capacity tanks, bins, hoppers and conveyors. The unique neoprene isolation pad accommodates vibration, thermal expansion and alignment. Ideal for indoor or outdoor process control applications.

Main Dimensions and Accessories



RATED CAPACITY	DIMENSIONS														
	A	B	C	D	E	F	G	H	I	J	K	L	M	TYPE	
25LB-250LB	4.00	3.13	3.00	0.37	3.25	2.25	3.88	3.00	0.50	0.22	2.38	0.34	0.34	Y	
500LB	6.00	3.88	4.00	1.00	4.00	3.00	5.50	4.13	0.50	0.25	3.38	0.44	0.56	Y	
1K	6.00	4.00	4.00	1.00	4.00	3.00	5.13	4.13	0.50	0.25	3.00	0.44	0.44	X	
1.5K-2.5K	6.00	4.00	4.00	1.00	4.00	3.00	6.25	5.00	0.50	0.38	4.62	0.44	0.44	X	
4K-5KSE	6.00	4.50	4.00	1.00	4.00	3.00	6.25	5.00	1.00	0.38	4.62	0.47	0.56	X	

#### Stainless Steel Load Cell with Stainless Steel Mount

ORDER INFORMATION	DISCOUNT C	SUGGESTED
Part #		List Price
*CG-59M-25#-SS		\$ 683.18
*CG-59M-50#-SS		\$ 683.18
*CG-59M-75#-SS		\$ 683.18
*CG-59M-100#-SS		\$ 683.18
*CG-59M-150#-SS		\$ 683.18
*CG-59M-250#-SS		\$ 683.18
CG-59M-500#-SS		\$ 706.28
CG-59M-1K-SS		\$ 706.28
CG-59M-1.5K-SS		\$ 706.28
CG-59M-2K-SS		\$ 706.28
CG-59M-2.5K-SS		\$ 706.28
CG-59M-4K-SS		\$ 706.28
CG-59M-5Kse-SS		\$ 706.28

#### Stainless Steel Load Cell with Stainless Steel Mount 3-Module Kit

ORDER INFORMATION	DISCOUNT C	SUGGESTED
Part #		List Price
*CG-59M-25#-SS-3		\$ 2,049.54
*CG-59M-50#-SS-3		\$ 2,049.54
*CG-59M-75#-SS-3		\$ 2,049.54
*CG-59M-100#-SS-3		\$ 2,049.54
*CG-59M-150#-SS-3		\$ 2,049.54
*CG-59M-250#-SS-3		\$ 2,049.54
CG-59M-500#-SS-3		\$ 2,118.84
CG-59M-1K-SS-3		\$ 2,118.84
CG-59M-1.5K-SS-3		\$ 2,118.84
CG-59M-2K-SS-3		\$ 2,118.84
CG-59M-2.5K-SS-3		\$ 2,118.84
CG-59M-4K-SS-3		\$ 2,118.84
CG-59M-5Kse-SS-3		\$ 2,118.84

#### Stainless Steel Load Cell with Stainless Steel Mount 4-Module Kit

ORDER INFORMATION	DISCOUNT C	SUGGESTED
Part #		List Price
*CG-59M-25#-SS-4		\$ 2,732.72
*CG-59M-50#-SS-4		\$ 2,732.72
*CG-59M-75#-SS-4		\$ 2,732.72
*CG-59M-100#-SS-4		\$ 2,732.72
*CG-59M-150#-SS-4		\$ 2,732.72
*CG-59M-250#-SS-4		\$ 2,732.72
CG-59M-500#-SS-4		\$ 2,825.12
CG-59M-1K-SS-4		\$ 2,825.12
CG-59M-1.5K-SS-4		\$ 2,825.12
CG-59M-2K-SS-4		\$ 2,825.12
CG-59M-2.5K-SS-4		\$ 2,825.12
CG-59M-4K-SS-4		\$ 2,825.12
CG-59M-5Kse-SS-4		\$ 2,825.12

# CG-59M-SSW

## TANK WEIGHING MODULE

### For Load Cell Specifications

See Pages 41, 42, CG-23-SSW-02, CG-23-SSW-03

Coti Global Sensors • 5699 Highway 53 Harvest, Alabama 35749 • Toll Free: 1-866-762-COTI(2684) • Fax: 256-852-9903 • www.cotiglobal.com



### Coti Global Sensors - CG-59M-SSW Neoprene Isolation Includes Load Cell

Complete Kit Includes:

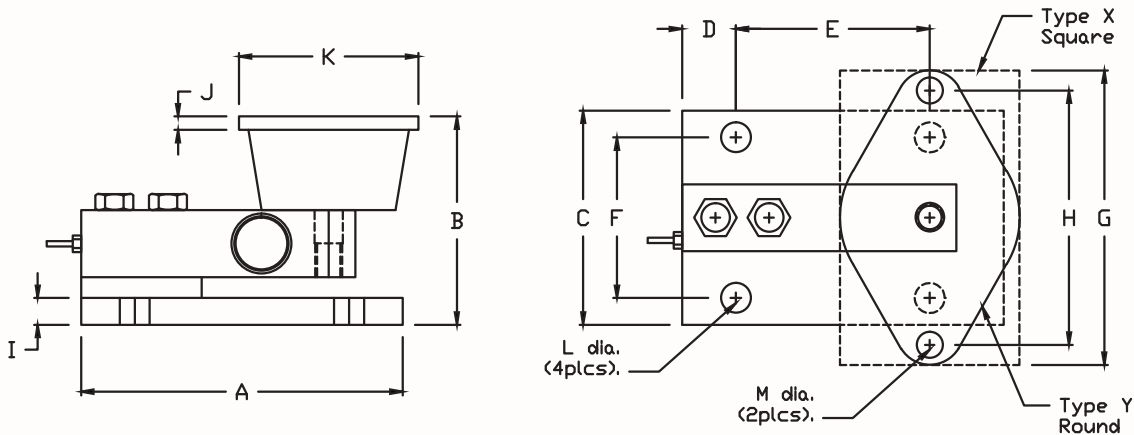
- 3 or 4 CG-23-SSW, Stainless Steel Welded load cells.
- 3 or 4 neoprene isolation/compression mounts.
- 1 SS-34AS stainless steel signal trim junction box.
- 25' Hostile Environment Cable

Applications:

- Small tanks and hoppers
- Conveyor/In-motion weighing
- Small platform scales

The CG-59M-SSW is designed for use in light to medium capacity tanks, bins, hoppers and conveyors. The unique neoprene isolation pad accommodates vibration, thermal expansion and alignment. Ideal for indoor or outdoor process control applications.

Main Dimensions and Accessories



RATED CAPACITY	DIMENSIONS														TYPE
	A	B	C	D	E	F	G	H	I	J	K	L	M		
1K	6.00	4.00	4.00	1.00	4.00	3.00	5.13	4.13	0.50	0.25	3.00	0.44	0.44	X	
1.5K-2.5K	6.00	4.00	4.00	1.00	4.00	3.00	6.25	5.00	0.50	0.38	4.62	0.44	0.44	X	
4K-5KSE	6.00	4.50	4.00	1.00	4.00	3.00	6.25	5.00	1.00	0.38	4.62	0.47	0.56	X	

#### Stainless Steel Welded Load Cell with Stainless Steel Mount

ORDER INFORMATION	DISCOUNT C	SUGGESTED
Part #		List Price
CG-59M-1K-SSW		\$ 746.71
CG-59M 1.5K-SSW		\$ 746.71
CG-59M-2K-SSW		\$ 746.71
CG-59M-2.5K-SSW		\$ 746.71
CG-59M-4K-SSW		\$ 746.71
CG-59M-5Kse-SSW		\$ 746.71

#### Stainless Steel Welded Load Cell with Stainless Steel Mount 3-Module Kit

ORDER INFORMATION	DISCOUNT C	SUGGESTED
Part #		List Price
CG-59M-1K-SSW-3		\$ 2,240.13
CG-59M 1.5K-SSW-3		\$ 2,240.13
CG-59M-2K-SSW-3		\$ 2,240.13
CG-59M-2.5K-SSW-3		\$ 2,240.13
CG-59M-4K-SSW-3		\$ 2,240.13
CG-59M-5Kse-SSW-3		\$ 2,240.13

#### Stainless Steel Welded Load Cell with Stainless Steel Mount 4-Module Kit

ORDER INFORMATION	DISCOUNT C	SUGGESTED
Part #		List Price
CG-59M-1K-SSW-4		\$ 2,986.84
CG-59M 1.5K-SSW-4		\$ 2,986.84
CG-59M-2K-SSW-4		\$ 2,986.84
CG-59M-2.5K-SSW-4		\$ 2,986.84
CG-59M-4K-SSW-4		\$ 2,986.84
CG-59M-5Kse-SSW-4		\$ 2,986.84

# CG-82M-MS

TANK MOUNT

For Load Cell Specifications

See Page 37, CG-23

Coti Global Sensors • 5699 Highway 53 Harvest, Alabama 35749 • Toll Free: 1-866-762-COTI(2684) • Fax: 256-852-9903 • www.cotiglobal.com



## Coti Global Sensors - CG-82M-MS Tank Weighing Assembly, Spherical Washer - Includes Load Cell

Complete Kit Includes:

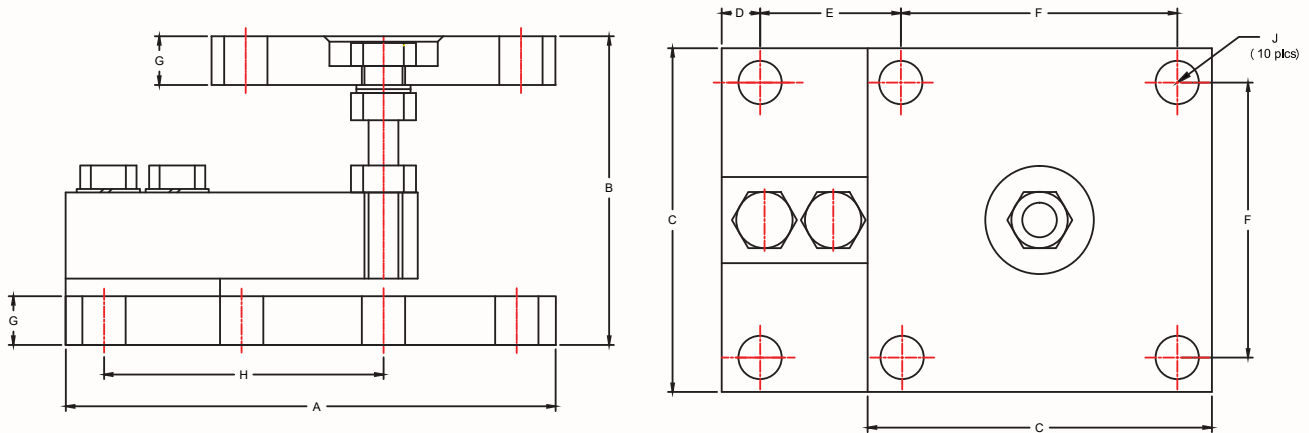
- 3 or 4 CG-23 NTEP Certified Alloy Steel load cells
- 3 or 4 CG-82M compression mounts
- 1 SS-34AS stainless steel signal trim junction box
- 25' Hostile Environment Cable

Applications:

- Conveyors
- Light to Medium-Capacity Tanks and Hoppers
- Powder & Bulk Processing

Redundant sealing. Articulating mounting plate. Low profile design. Integral height adjustment for balancing. Adjustable under load.

Main Dimensions and Accessories



RATED CAPACITY	DIMENSIONS								
	A	B	C	D	E	F	G	H	J
250LB-5KSE	7.12	4.50-5.00	5.00	0.63	2.00	4.00	0.70	4.00	0.63
5KLE-10K	8.50	5.50-6.00	5.00	1.00	3.00	4.00	0.94	5.00	0.63
15K-20K	10.88	7.00-7.50	6.00	1.00	4.63	4.50	1.44	6.88	0.88

### Alloy Load Cell with Mild Steel Mount

ORDER INFORMATION	DISCOUNT C	SUGGESTED List Price
CG-82M-250#-MS		\$ 469.51
CG-82M-500#-MS		\$ 469.51
CG-82M-1K-MS		\$ 469.51
CG-82M-1.5K-MS		\$ 469.51
CG-82M-2K-MS		\$ 469.51
CG-82M-2.5K-MS		\$ 469.51
CG-82M-4K-MS		\$ 469.51
CG-82M-5Kse-MS		\$ 469.51
CG-82M-5Kle-MS		\$ 699.65
CG-82M-10K-MS		\$ 699.65
CG-82M-15K-MS		\$1,169.15
CG-82M-20K-MS		\$1,169.15

### Alloy Load Cell with Mild Steel Mount 3-Module Kit

ORDER INFORMATION	DISCOUNT C	SUGGESTED List Price
CG-82M-250#-MS-3		\$ 1,408.53
CG-82M-500#-MS-3		\$ 1,408.53
CG-82M-1K-MS-3		\$ 1,408.53
CG-82M-1.5K-MS-3		\$ 1,408.53
CG-82M-2K-MS-3		\$ 1,408.53
CG-82M-2.5K-MS-3		\$ 1,408.53
CG-82M-4K-MS-3		\$ 1,408.53
CG-82M-5Kse-MS-3		\$ 1,408.53
CG-82M-5Kle-MS-3		\$ 2,098.95
CG-82M-10K-MS-3		\$ 2,098.95
CG-82M-15K-MS-3		\$ 3,507.45
CG-82M-20K-MS-3		\$ 3,507.45

### Alloy Load Cell with Mild Steel Mount 4-Module Kit

ORDER INFORMATION	DISCOUNT C	SUGGESTED List Price
CG-82M-250#-MS-4		\$ 1,878.04
CG-82M-500#-MS-4		\$ 1,878.04
CG-82M-1K-MS-4		\$ 1,878.04
CG-82M-1.5K-MS-4		\$ 1,878.04
CG-82M-2K-MS-4		\$ 1,878.04
CG-82M-2.5K-MS-4		\$ 1,878.04
CG-82M-4K-MS-4		\$ 1,878.04
CG-82M-5Kse-MS-4		\$ 1,878.04
CG-82M-5Kle-MS-4		\$ 2,798.60
CG-82M-10K-MS-4		\$ 2,798.60
CG-82M-15K-MS-4		\$ 4,676.60
CG-82M-20K-MS-4		\$ 4,676.60

# CG-82M-SS

TANK MOUNT

For Load Cell Specifications

See Pages 39, CG-23-SS

Coti Global Sensors • 5699 Highway 53 Harvest, Alabama 35749 • Toll Free: 1-866-762-COTI(2684) • Fax: 256-852-9903 • www.cotiglobal.com



## Coti Global Sensors - CG-82M-SS Tank Weighing Assembly, Spherical Washer - Includes Load Cell

Complete Kit Includes:

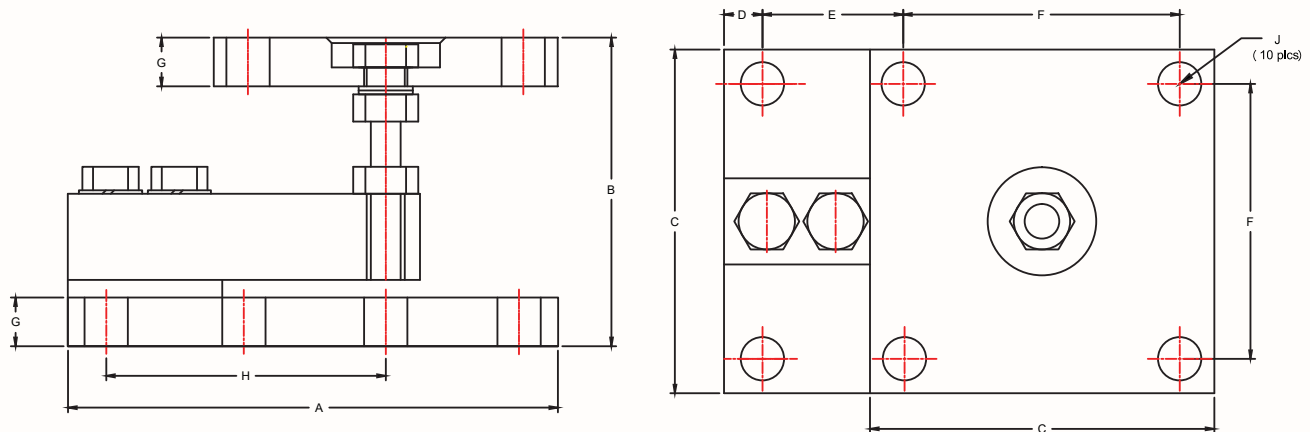
- 3 or 4 CG-23 SS NTEP Certified Stainless Steel load cells
- 3 or 4 CG-82M compression mounts
- 1 SS-34AS stainless steel signal trim junction box
- 25' Hostile Environment Cable

Applications:

- Conveyors
- Light to Medium-Capacity Tanks and Hoppers
- Powder & Bulk Processing

Redundant sealing. Articulating mounting plate. Low profile design. Integral height adjustment for balancing. Adjustable under load.

Main Dimensions and Accessories



RATED CAPACITY	DIMENSIONS								
	A	B	C	D	E	F	G	H	J
250LB-5KSE	7.12	4.50-5.00	5.00	0.63	2.00	4.00	0.70	4.00	0.63
5KLE-10K	8.50	5.50-6.00	5.00	1.00	3.00	4.00	0.94	5.00	0.63
15K-20K	10.88	7.00-7.50	6.00	1.00	4.63	4.50	1.44	6.88	0.88

### Stainless Steel Load Cell with Stainless Steel Mount

ORDER INFORMATION	DISCOUNT C	SUGGESTED List Price
CG-82M-250#-SS		\$ 803.30
CG-82M-500#-SS		\$ 803.30
CG-82M-1K-SS		\$ 803.30
CG-82M-1.5K-SS		\$ 803.30
CG-82M-2K-SS		\$ 803.30
CG-82M-2.5K-SS		\$ 803.30
CG-82M-4K-SS		\$ 803.30
CG-82M-5Kse-SS		\$ 803.30
CG-82M-5Kle-SS		\$1,017.85
CG-82M-10K-SS		\$1,017.85
CG-82M-15K-SS		\$1,581.77
CG-82M-20K-SS		\$1,581.77

### Stainless Steel Load Cell with Stainless Steel Mount 3-Module Kit

ORDER INFORMATION	DISCOUNT C	SUGGESTED List Price
CG-82M-250#-SS-3		\$ 2,409.90
CG-82M-500#-SS-3		\$ 2,409.90
CG-82M-1K-SS-3		\$ 2,409.90
CG-82M-1.5K-SS-3		\$ 2,409.90
CG-82M-2K-SS-3		\$ 2,409.90
CG-82M-2.5K-SS-3		\$ 2,409.90
CG-82M-4K-SS-3		\$ 2,409.90
CG-82M-5Kse-SS-3		\$ 2,409.90
CG-82M-5Kle-SS-3		\$ 3,053.55
CG-82M-10K-SS-3		\$ 3,053.55
CG-82M-15K-SS-3		\$ 4,745.31
CG-82M-20K-SS-3		\$ 4,745.31

### Stainless Steel Load Cell with Stainless Steel Mount 4-Module Kit

ORDER INFORMATION	DISCOUNT C	SUGGESTED List Price
CG-82M-250#-SS-4		\$ 3,213.20
CG-82M-500#-SS-4		\$ 3,213.20
CG-82M-1K-SS-4		\$ 3,213.20
CG-82M-1.5K-SS-4		\$ 3,213.20
CG-82M-2K-SS-4		\$ 3,213.20
CG-82M-2.5K-SS-4		\$ 3,213.20
CG-82M-4K-SS-4		\$ 3,213.20
CG-82M-5Kse-SS-4		\$ 3,213.20
CG-82M-5Kle-SS-4		\$ 4,071.40
CG-82M-10K-SS-4		\$ 4,071.40
CG-82M-15K-SS-4		\$ 6,327.08
CG-82M-20K-SS-4		\$ 6,327.08

# CG-82M-SSW

## TANK MOUNT

For Load Cell Specifications

See Pages 41, 42, CG-23-SSW-02, CG-23-SSW-03

Coti Global Sensors • 5699 Highway 53 Harvest, Alabama 35749 • Toll Free: 1-866-762-COTI(2684) • Fax: 256-852-9903 • www.cotiglobal.com



### Coti Global Sensors - CG-82M-SSW Tank Weighing Assembly, Spherical Washer - Includes Load Cell

Complete Kit Includes:

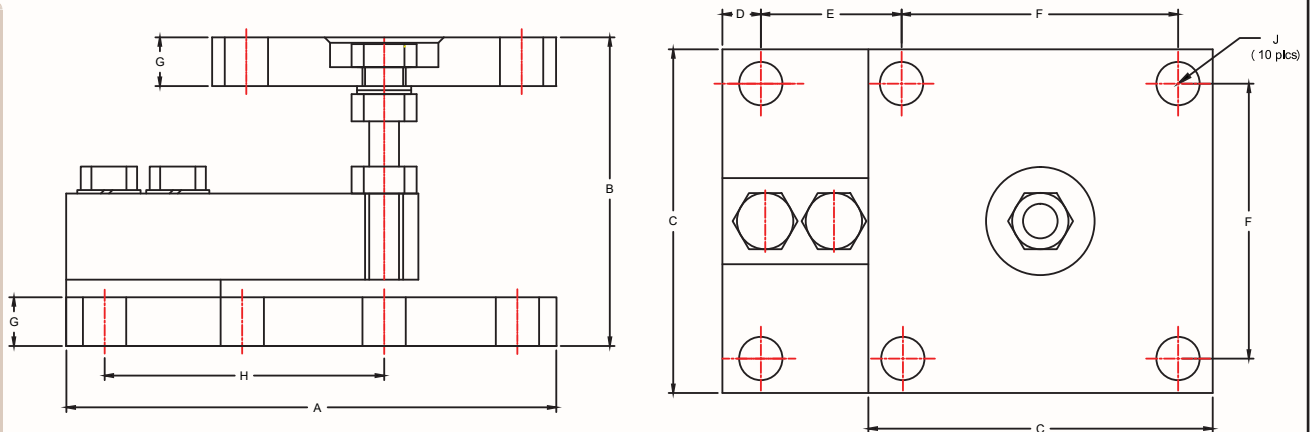
- 3 or 4 CG-23 SSW NTEP Certified Stainless Steel welded load cells
- 3 or 4 CG-82M compression mounts
- 1 SS-34AS stainless steel signal trim junction box
- 25' Hostile Environment Cable

Applications:

- Conveyors
- Light to Medium-Capacity Tanks and Hoppers
- Powder & Bulk Processing

Redundant sealing. Articulating mounting plate. Low profile design. Integral height adjustment for balancing. Adjustable under load.

Main Dimensions and Accessories



RATED CAPACITY	DIMENSIONS								
	A	B	C	D	E	F	G	H	J
250LB-5KSE	7.12	4.50-5.00	5.00	0.63	2.00	4.00	0.70	4.00	0.63
5KLE-10K	8.50	5.50-6.00	5.00	1.00	3.00	4.00	0.94	5.00	0.63

#### Stainless Steel Welded Load Cell with Stainless Steel Mount

ORDER INFORMATION	DISCOUNT C	SUGGESTED
Part #		List Price
CG-82M-1K-SSW		\$ 843.73
CG-82M-1.5K-SSW		\$ 843.73
CG-82M-2K-SSW		\$ 843.73
CG-82M-2.5K-SSW		\$ 843.73
CG-82M-4K-SSW		\$ 843.73
CG-82M-5Kse-SSW		\$ 843.73
CG-82M-5Kle-SSW		\$1,069.82
CG-82M-10K-SSW		\$1,069.82

#### Stainless Steel Welded Load Cell with Stainless Steel Mount 3-Module Kit

ORDER INFORMATION	DISCOUNT C	SUGGESTED
Part #		List Price
CG-82M-1K-SSW-3		\$ 2,531.19
CG-82M-1.5K-SSW-3		\$ 2,531.19
CG-82M-2K-SSW-3		\$ 2,531.19
CG-82M-2.5K-SSW-3		\$ 2,531.19
CG-82M-4K-SSW-3		\$ 2,531.19
CG-82M-5Kse-SSW-3		\$ 2,531.19
CG-82M-5Kle-SSW-3		\$ 3,209.46
CG-82M-10K-SSW-3		\$ 3,209.46

#### Stainless Steel Welded Load Cell with Stainless Steel Mount 4-Module Kit

ORDER INFORMATION	DISCOUNT C	SUGGESTED
Part #		List Price
CG-82M-1K-SSW-4		\$ 3,374.92
CG-82M-1.5K-SSW-4		\$ 3,374.92
CG-82M-2K-SSW-4		\$ 3,374.92
CG-82M-2.5K-SSW-4		\$ 3,374.92
CG-82M-4K-SSW-4		\$ 3,374.92
CG-82M-5Kse-SSW-4		\$ 3,374.92
CG-82M-5Kle-SSW-4		\$ 4,279.28
CG-82M-10K-SSW-4		\$ 4,279.28



# CG-RTM

▶ TANK MOUNT

▶ For Load Cell Specifications  
See Page 52, CG-745

Coti Global Sensors • 5699 Highway 53 Harvest, Alabama 35749 • Toll Free: 1-866-762-COTI(2684) • Fax: 256-852-9903 • www.cotiglobal.com



## Coti Global Sensors - CG-RTM Tank Mount Assembly Includes Load Cell

Complete Kit Includes:

- 3 or 4 CG-745 NTEP Certified Stainless Steel load cells
- 3 or 4 CG-RTM compression mounts
- 1 SS-34AS stainless steel signal trim junction box
- 25' Hostile Environment Cable

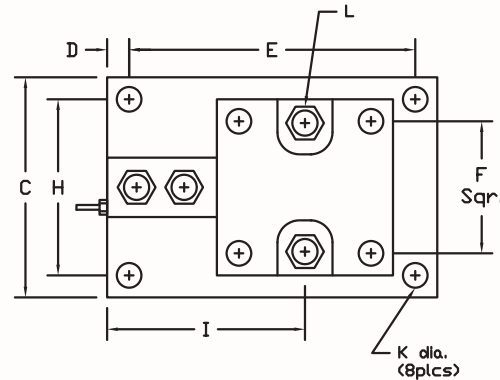
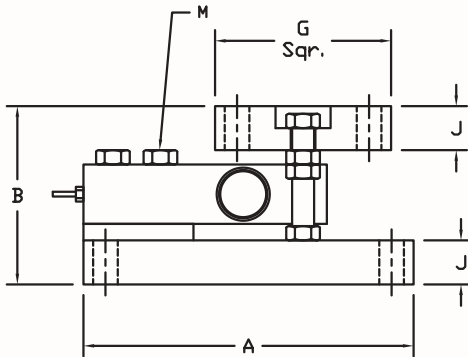
Applications:

- Light to Medium-Capacity Tanks and Hoppers
- High-Vibration Mixers and Blenders
- Process Measurement and Control



All Stainless Steel construction. Expansion and contraction due to thermal changes and side load from external forces are handled with a rocker pin mounting. After the side load has been removed the mount will recenter itself using the rocker pin. This mount is unequaled for repeatability. Overload and overlift protection. Integral lateral stops.

Main Dimensions and Accessories



RATED CAPACITY	DIMENSIONS												
	A	B	C	D	E	F	G	H	I	J	K	L	M
500LB-2.5K	7.50	3.78	5.00	0.50	6.50	3.00	4.00	4.00	4.50	1.00	0.56	1/2-13UNC	1/2-13UNC
4K	7.50	3.94	5.00	0.50	6.50	3.00	4.00	4.00	4.50	1.00	0.56	1/2-13UNC	1/2-13UNC
5K	7.50	4.03	5.00	0.50	6.50	3.00	4.00	4.00	4.50	1.00	0.56	1/2-13UNC	1/2-13UNC
10K	8.50	4.28	5.00	0.50	7.50	3.00	4.00	4.00	6.00	1.00	0.56	1/2-13UNC	3/4-10UNC

### Stainless Steel Load Cell with Stainless Steel Mount

ORDER INFORMATION	DISCOUNT C	SUGGESTED
Part #		List Price
CG-RTM-500		\$1,038.06
CG-RTM-1K		\$1,038.06
CG-RTM-1.25K		\$1,038.06
CG-RTM-2.5K		\$1,038.06
CG-RTM-4K		\$1,038.06
CG-RTM-5K		\$1,211.31
CG-RTM-10K		\$1,387.45

### Stainless Steel Load Cell with Stainless Steel Mount 3-Module Kit

ORDER INFORMATION	DISCOUNT C	SUGGESTED
Part #		List Price
CG-RTM-500-3		\$ 3,114.18
CG-RTM-1K-3		\$ 3,114.18
CG-RTM-1.25K-3		\$ 3,114.18
CG-RTM-2.5K-3		\$ 3,114.18
CG-RTM-4K-3		\$ 3,114.18
CG-RTM-5K-3		\$ 3,633.93
CG-RTM-10K-3		\$ 4,162.35

### Stainless Steel Load Cell with Stainless Steel Mount 4-Module Kit

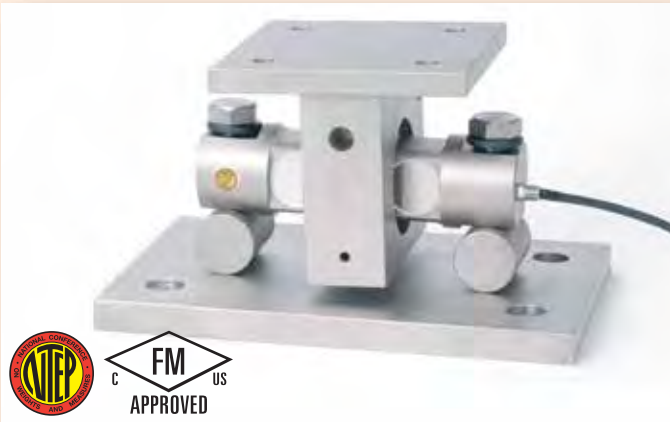
ORDER INFORMATION	DISCOUNT C	SUGGESTED
Part #		List Price
CG-RTM-500-4		\$ 4,152.24
CG-RTM-1K-4		\$ 4,152.24
CG-RTM-1.25K-4		\$ 4,152.24
CG-RTM-2.5K-4		\$ 4,152.24
CG-RTM-4K-4		\$ 4,152.24
CG-RTM-5K-4		\$ 4,845.24
CG-RTM-10K-4		\$ 5,549.80

# CG-03M-MS

## TANK MOUNT

For Load Cell Specifications  
See Page 66, CG-5103

Coti Global Sensors • 5699 Highway 53 Harvest, Alabama 35749 • Toll Free: 1-866-762-COTI(2684) • Fax: 256-852-9903 • www.cotiglobal.com



### Coti Global Sensors - CG-03M-MS Center Load Round Beam Mount Assembly - Includes Load Cell

#### Complete Kit Includes:

- 3 or 4 CG-5103 Alloy Steel double-ended shear beam load cells
- 3 or 4 CG-03M compression mounts
- 1 SS-34AS stainless steel signal trim junction box
- 25' Hostile Environment Cable

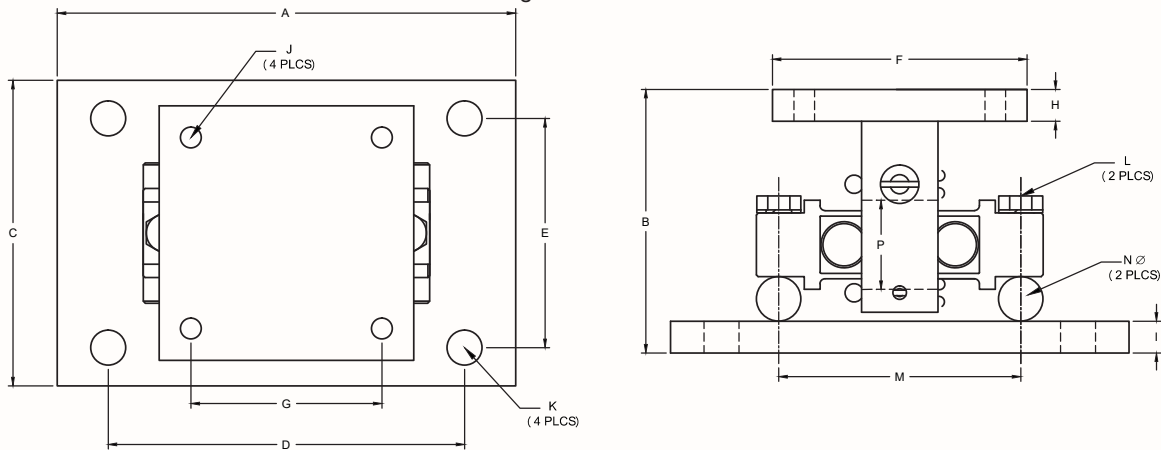
#### Applications:

- Medium to heavy-capacity tanks, bins and hoppers



The CG-03M-MS is designed for use in medium to high capacity weighing systems, including but not limited to tanks, hoppers, vehicle, and rail track scales. The double-ended shear beam, low profile design is ideal for mechanical conversions and new installations. The self checking feature eliminates the need for external hardware.

Main Dimensions and Accessories



RATED CAPACITY	DIMENSIONS														
	A	B	C	D	E	F	G	H	I	J	K	L	M	N	P
5K-20K	11.00	5.31	7.50	8.00	4.00	6.00	3.00	0.50	0.75	0.56	1.06	5/8-18 UNF	6.87	1.50	2.25
30K-60K	15.00	8.43	10.00	11.50	6.00	8.00	5.12	0.75	1.00	0.68	1.19	1-14 UNF	8.50	2.00	3.74
100K	18.00	10.37	12.00	14.00	9.00	10.00	7.50	1.25	1.25	0.81	1.38	1-14 UNF	9.50	1.75	3.94
150K	18.00	10.37	12.00	14.00	9.00	10.00	7.50	1.25	1.25	0.81	1.38	1-14 UNF	9.50	2.00	4.33
200K-250K	26.00	16.75	12.00	20.00	6.00	12.00	9.00	2.00	2.00	1.06	1.88	1 1/2-12UNF	13.00	3.00	5.89

#### Alloy Steel Load Cell with Mild Steel Mount

ORDER INFORMATION	DISCOUNT C	SUGGESTED
Part #		List Price
CG-03M-5K-MS		\$1,040.27
CG-03M-10K-MS		\$1,040.27
CG-03M-20K-MS		\$1,040.27
CG-03M-30K-MS		\$1,692.95
CG-03M-40K-MS		\$1,692.95
CG-03M-50K-MS		\$1,692.95
CG-03M-60K-MS		\$1,692.95
CG-03M-100K-MS		\$2,692.81
CG-03M-150K-MS		\$2,692.81
CG-03M-200K-MS		\$5,913.32
CG-03M-250K-MS		\$5,913.32

#### Alloy Steel Load Cell with Mild Steel Mount 3-Module Kit

ORDER INFORMATION	DISCOUNT C	SUGGESTED
Part #		List Price
CG-03M-5K-MS-3		\$ 3,120.81
CG-03M-10K-MS-3		\$ 3,120.81
CG-03M-20K-MS-3		\$ 3,120.81
CG-03M-30K-MS-3		\$ 5,078.85
CG-03M-40K-MS-3		\$ 5,078.85
CG-03M-50K-MS-3		\$ 5,078.85
CG-03M-60K-MS-3		\$ 5,078.85
CG-03M-100K-MS-3		\$ 8,078.43
CG-03M-150K-MS-3		\$ 8,078.43
CG-03M-200K-MS-3		\$ 17,739.96
CG-03M-250K-MS-3		\$ 17,739.96

#### Alloy Steel Load Cell with Mild Steel Mount 4-Module Kit

ORDER INFORMATION	DISCOUNT C	SUGGESTED
Part #		List Price
CG-03M-5K-MS-4		\$ 4,161.08
CG-03M-10K-MS-4		\$ 4,161.08
CG-03M-20K-MS-4		\$ 4,161.08
CG-03M-30K-MS-4		\$ 6,771.80
CG-03M-40K-MS-4		\$ 6,771.80
CG-03M-50K-MS-4		\$ 6,771.80
CG-03M-60K-MS-4		\$ 6,771.80
CG-03M-100K-MS-4		\$ 10,771.24
CG-03M-150K-MS-4		\$ 10,771.24
CG-03M-200K-MS-4		\$ 23,653.28
CG-03M-250K-MS-4		\$ 23,653.28



# CG-03M-SM

TANK MOUNT

For Load Cell Specifications  
See Page 67, CG-5103-SSW

Coti Global Sensors • 5699 Highway 53 Harvest, Alabama 35749 • Toll Free: 1-866-762-COTI(2684) • Fax: 256-852-9903 • www.cotiglobal.com



## Coti Global Sensors - CG-03M-SM Center Load Round Beam Mount Assembly - Includes Load Cell

Complete Kit Includes:

- 3 or 4 CG-5103 SSW Stainless Steel welded double ended shear beam load cells
- 3 or 4 CG-03M compression mounts
- 1 SS-34AS stainless steel signal trim junction box
- 25' Hostile Environment Cable

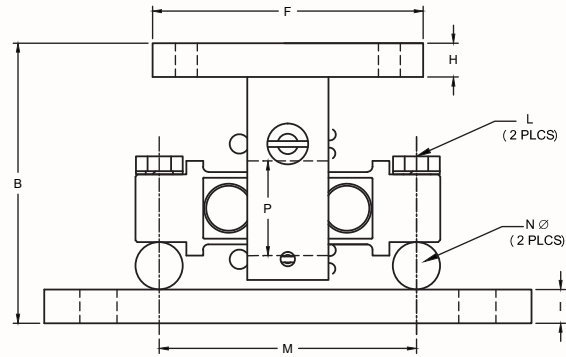
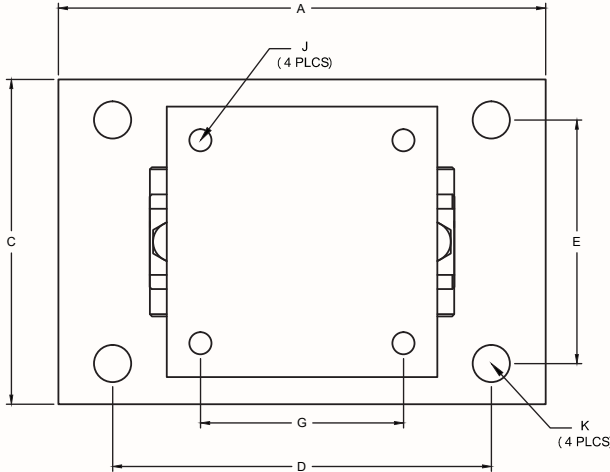
Applications:

- Medium to heavy-capacity tanks, bins and hoppers



The CG-03M-SM is designed for use in medium to high capacity weighing systems, including but not limited to tanks, hoppers, vehicle, and rail track scales. The double-ended shear beam, low profile design is ideal for mechanical conversions and new installations. The self checking feature eliminates the need for external hardware.

Main Dimensions and Accessories



RATED CAPACITY	DIMENSIONS														
	A	B	C	D	E	F	G	H	I	J	K	L	M	N	P
5K-20K	11.00	5.31	7.50	8.00	4.00	6.00	3.00	0.50	0.75	0.56	1.06	5/8-18 UNF	6.87	1.50	2.25
30K-60K	15.00	8.43	10.00	11.50	6.00	8.00	5.12	0.75	1.00	0.68	1.19	1-14 UNF	8.50	2.00	3.74

### Stainless Steel Welded Load Cell with Mild Steel Mount

ORDER INFORMATION	DISCOUNT C	SUGGESTED
Part #		List Price
CG-03M-10K-SM		\$ 1,224.02
CG-03M-20K-SM		\$ 1,224.02
CG-03M-30K-SM		\$ 1,820.00
CG-03M-40K-SM		\$ 1,820.00
CG-03M-50K-SM		\$ 1,820.00
CG-03M-60K-SM		\$ 1,820.00

### Stainless Steel Welded Load Cell with Mild Steel Mount 3-Module Kit

ORDER INFORMATION	DISCOUNT C	SUGGESTED
Part #		List Price
CG-03M-10K-SM-3		\$ 3,672.06
CG-03M-20K-SM-3		\$ 3,672.06
CG-03M-30K-SM-3		\$ 5,460.00
CG-03M-40K-SM-3		\$ 5,460.00
CG-03M-50K-SM-3		\$ 5,460.00
CG-03M-60K-SM-3		\$ 5,460.00

### Stainless Steel Welded Load Cell with Mild Steel Mount 4-Module Kit

ORDER INFORMATION	DISCOUNT C	SUGGESTED
Part #		List Price
CG-03M-10K-SM-4		\$ 4,896.08
CG-03M-20K-SM-4		\$ 4,896.08
CG-03M-30K-SM-4		\$ 7,280.00
CG-03M-40K-SM-4		\$ 7,280.00
CG-03M-50K-SM-4		\$ 7,280.00
CG-03M-60K-SM-4		\$ 7,280.00

# CG-03M-SSW

TANK MOUNT

For Load Cell Specifications  
See Page 67, CG-5103 SSW

Coti Global Sensors • 5699 Highway 53 Harvest, Alabama 35749 • Toll Free: 1-866-762-COTI(2684) • Fax: 256-852-9903 • www.cotiglobal.com



## Coti Global Sensors - CG-03M-SSW Center Load Round Beam Mount Assembly - Includes Load Cell

Complete Kit Includes:

- 3 or 4 CG-5103 SSW Stainless Steel welded double ended shear beam load cells
- 3 or 4 CG-03M compression mounts
- 1 SS-34AS stainless steel signal trim junction box
- 25' Hostile Environment Cable

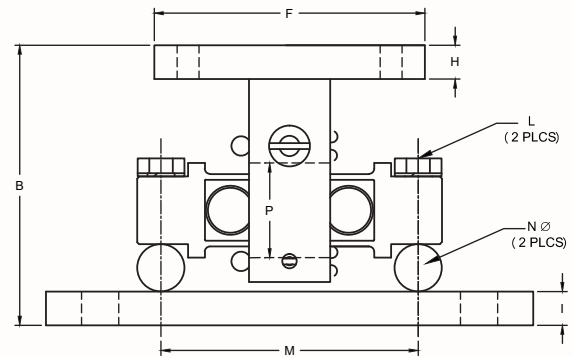
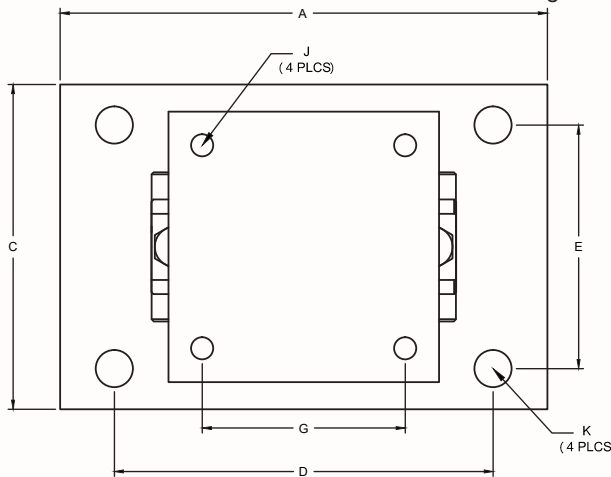
Applications:

- Medium to heavy-capacity tanks, bins and hoppers



The CG-03M-MS is designed for use in medium to high capacity weighing systems, including but not limited to tanks, hoppers, vehicle, and rail track scales. The double-ended shear beam, low profile design is ideal for mechanical conversions and new installations. The self checking feature eliminates the need for external hardware.

Main Dimensions and Accessories



RATED CAPACITY	DIMENSIONS															
	A	B	C	D	E	F	G	H	I	J	K	L	M	N	P	
5K-20K	11.00	5.31	7.50	8.00	4.00	6.00	3.00	0.50	0.75	0.56	1.06	5/8-18 UNF	6.87	1.50	2.25	
30K-60K	15.00	8.43	10.00	11.50	6.00	8.00	5.12	0.75	1.00	0.68	1.19	1-14 UNF	8.50	2.00	3.74	

### Stainless Steel Welded Load Cell with Stainless Steel Mount

ORDER INFORMATION	DISCOUNT C	SUGGESTED
Part #		List Price
CG-03M-10K-SSW		\$ 1,715.18
CG-03M-20K-SSW		\$ 1,715.18
CG-03M-30K-SSW		\$ 3,366.25
CG-03M-40K-SSW		\$ 3,366.25
CG-03M-50K-SSW		\$ 3,366.25
CG-03M-60K-SSW		\$ 3,366.25

### Stainless Steel Welded Load Cell with Stainless Steel Mount 3-Module Kit

ORDER INFORMATION	DISCOUNT C	SUGGESTED
Part #		List Price
CG-03M-10K-SSW-3		\$ 5,145.54
CG-03M-20K-SSW-3		\$ 5,145.54
CG-03M-30K-SSW-3		\$ 10,098.75
CG-03M-40K-SSW-3		\$ 10,098.75
CG-03M-50K-SSW-3		\$ 10,098.75
CG-03M-60K-SSW-3		\$ 10,098.75

### Stainless Steel Welded Load Cell with Stainless Steel Mount 4-Module Kit

ORDER INFORMATION	DISCOUNT C	SUGGESTED
Part #		List Price
CG-03M-10K-SSW-4		\$ 6,860.72
CG-03M-20K-SSW-4		\$ 6,860.72
CG-03M-30K-SSW-4		\$ 13,465.00
CG-03M-40K-SSW-4		\$ 13,465.00
CG-03M-50K-SSW-4		\$ 13,465.00
CG-03M-60K-SSW-4		\$ 13,465.00

# CG-16M-MS

TANK WEIGHING MODULE

For Load Cell Specifications  
See Page 70, CG-16

Coti Global Sensors • 5699 Highway 53 Harvest, Alabama 35749 • Toll Free: 1-866-762-COTI(2684) • Fax: 256-852-9903 • www.cotiglobal.com



## Coti Global Sensors - CG-16M-MS Center Load Square Beam Mount Assembly - Includes Load Cell

Complete Kit Includes:

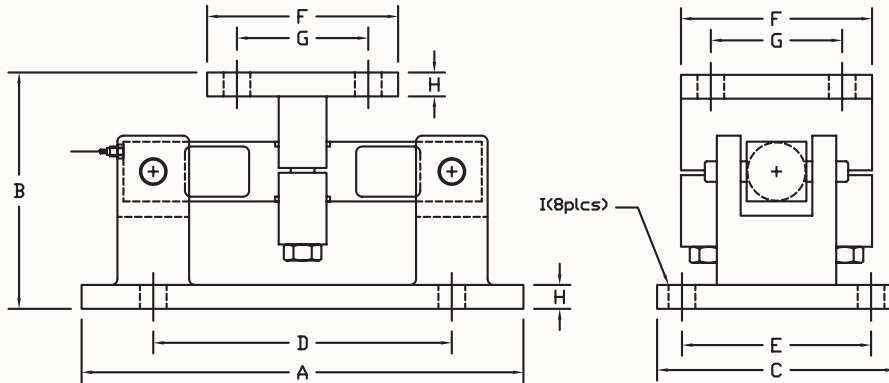
- 3 or 4 CG-16 Alloy Steel double-ended shear beam load cells
- 3 or 4 CG-16M compression mounts
- 1 SS-34AS stainless steel signal trim junction box
- 25' Hostile Environment Cable

Applications:

- Medium to heavy-capacity tanks, bins and hoppers
- Bulk material management

The CG-16M-MS is designed for use in medium to heavy capacity tanks, hoppers and bin scales. Perfect for mechanical conversions and new installations. This low profile mount with its bolt in place design simplifies the conversion of any tank or hopper into a scale. The self checking design eliminates the need for external hardware.

Main Dimensions and Accessories



RATED CAPACITY	DIMENSIONS										
	A	B	C	D	E	F	G	H	I		
1K-5K	9.25	5.00	5.00	6.25	3.75	4.00	2.75	0.50	0.56		
10K-25K	12.00	7.90	8.00	7.50	6.00	8.00	6.00	0.75	0.81		
35K	12.00	7.90	8.00	7.50	6.00	8.00	6.00	0.75	0.81		
50K	16.25	9.30	12.00	11.50	9.50	9.00	6.50	1.00	0.81		
75K	16.25	9.30	12.00	11.50	9.50	9.00	6.50	1.00	0.81		
100K-125K	23.50	11.75	14.00	20.00	12.00	10.00	8.00	1.12	1.12		

### Alloy Steel Load Cell with Mild Steel Mount

ORDER INFORMATION	DISCOUNT C	SUGGESTED LIST PRICE
CG-16M-1K-MS		\$ 727.91
CG-16M-1.5K-MS		\$ 727.91
CG-16M-2K-MS		\$ 727.91
CG-16M-2.5K-MS		\$ 727.91
CG-16M-3K-MS		\$ 727.91
CG-16M-5K-MS		\$ 727.91
CG-16M-10K-MS		\$ 976.45
CG-16M-15K-MS		\$ 976.45
CG-16M-20K-MS		\$ 976.45
CG-16M-25K-MS		\$ 976.45
CG-16M-35K-MS		\$ 976.45
CG-16M-50K-MS		\$2,112.21
CG-16M-75K-MS		\$2,112.21
CG-16M-100K-MS		\$3,568.95
CG-16M-125K-MS		\$3,568.95

### Alloy Steel Load Cell with Mild Steel Mount 3-Module Kit

ORDER INFORMATION	DISCOUNT C	SUGGESTED LIST PRICE
CG-16M-1K-MS-3		\$ 2,183.73
CG-16M-1.5K-MS-3		\$ 2,183.73
CG-16M-2K-MS-3		\$ 2,183.73
CG-16M-2.5K-MS-3		\$ 2,183.73
CG-16M-3K-MS-3		\$ 2,183.73
CG-16M-5K-MS-3		\$ 2,183.73
CG-16M-10K-MS-3		\$ 2,929.35
CG-16M-15K-MS-3		\$ 2,929.35
CG-16M-20K-MS-3		\$ 2,929.35
CG-16M-25K-MS-3		\$ 2,929.35
CG-16M-35K-MS-3		\$ 2,929.35
CG-16M-50K-MS-3		\$ 6,336.63
CG-16M-75K-MS-3		\$ 6,336.63
CG-16M-100K-MS-3		\$10,706.85
CG-16M-125K-MS-3		\$10,706.85

### Alloy Steel Load Cell with Mild Steel Mount 4-Module Kit

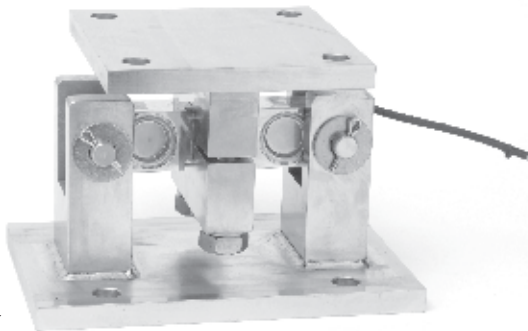
ORDER INFORMATION	DISCOUNT C	SUGGESTED LIST PRICE
CG-16M-1K-MS-4		\$ 2,911.64
CG-16M-1.5K-MS-4		\$ 2,911.64
CG-16M-2K-MS-4		\$ 2,911.64
CG-16M-2.5K-MS-4		\$ 2,911.64
CG-16M-3K-MS-4		\$ 2,911.64
CG-16M-5K-MS-4		\$ 2,911.64
CG-16M-10K-MS-4		\$ 3,905.80
CG-16M-15K-MS-4		\$ 3,905.80
CG-16M-20K-MS-4		\$ 3,905.80
CG-16M-25K-MS-4		\$ 3,905.80
CG-16M-35K-MS-4		\$ 3,905.80
CG-16M-50K-MS-4		\$ 8,448.84
CG-16M-75K-MS-4		\$ 8,448.84
CG-16M-100K-MS-4		\$14,275.80
CG-16M-125K-MS-4		\$14,275.80

# CG-16M-SM

TANK WEIGHING MODULE

For Load Cell Specifications  
See Page 71, CG-16-SSW

Coti Global Sensors • 5699 Highway 53 Harvest, Alabama 35749 • Toll Free: 1-866-762-COTI(2684) • Fax: 256-852-9903 • www.cotiglobal.com



## Coti Global Sensors - CG-16M-SM Center Load Square Beam Mount Assembly - Includes Load Cell

Complete Kit Includes:

- 3 or 4 CG-16 SSW Stainless Steel welded double ended shear beam load cells
- 3 or 4 CG-16M compression mounts
- 1 SS-34AS stainless steel signal trim junction box
- 25' Hostile Environment Cable

Applications:

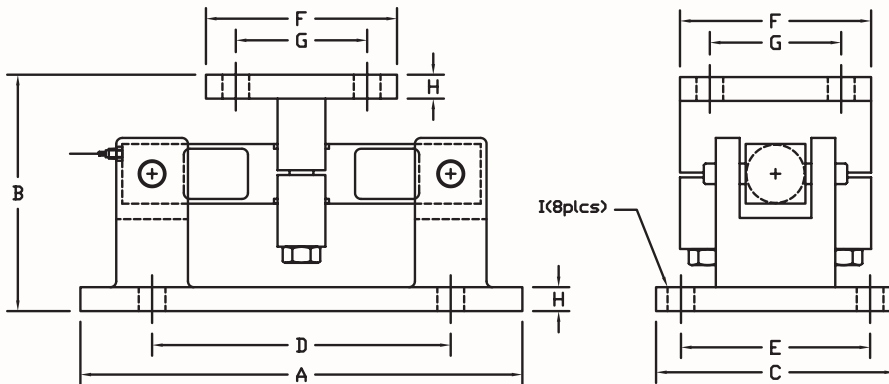
- Medium to heavy-capacity tanks, bins and hoppers
- Bulk material management



UBC Seismic Approved

The CG-16M-SM is designed for use in medium to heavy capacity tanks, hoppers and bin scales. Perfect for mechanical conversions and new installations. This low profile mount with its bolt in place design simplifies the conversion of any tank or hopper into a scale. The self checking design eliminates the need for external hardware.

Main Dimensions and Accessories



RATED CAPACITY	DIMENSIONS										
	A	B	C	D	E	F	G	H	I		
1K-5K	9.25	5.00	5.00	6.25	3.75	4.00	2.75	0.50	0.56		
10K-25K	12.00	7.90	8.00	7.50	6.00	8.00	6.00	0.75	0.81		
35K	12.00	7.90	8.00	7.50	6.00	8.00	6.00	0.75	0.81		
50K	16.25	9.30	12.00	11.50	9.50	9.00	6.50	1.00	0.81		
75K	16.25	9.30	12.00	11.50	9.50	9.00	6.50	1.00	0.81		

### Stainless Steel Welded Load Cell with Mild Steel Mount

ORDER INFORMATION	DISCOUNT C	SUGGESTED
Part #		List Price
CG-16M-1K-SM		\$ 799.84
CG-16M-1.5K-SM		\$ 799.84
CG-16M-2K-SM		\$ 799.84
CG-16M-2.5K-SM		\$ 799.84
CG-16M-3K-SM		\$ 799.84
CG-16M-5K-SM		\$ 799.84
CG-16M-10K-SM		\$1,044.70
CG-16M-15K-SM		\$1,044.70
CG-16M-20K-SM		\$1,044.70
CG-16M-25K-SM		\$1,044.70
CG-16M-35K-SM		\$1,044.70
CG-16M-50K-SM		\$2,568.44
CG-16M-75K-SM		\$2,568.44

### Stainless Steel Welded Load Cell with Mild Steel Mount 3-Module Kit

ORDER INFORMATION	DISCOUNT C	SUGGESTED
Part #		List Price
CG-16M-1K-SM-3		\$ 2,399.52
CG-16M-1.5K-SM-3		\$ 2,399.52
CG-16M-2K-SM-3		\$ 2,399.52
CG-16M-2.5K-SM-3		\$ 2,399.52
CG-16M-3K-SM-3		\$ 2,399.52
CG-16M-5K-SM-3		\$ 2,399.52
CG-16M-10K-SM-3		\$ 3,134.10
CG-16M-15K-SM-3		\$ 3,134.10
CG-16M-20K-SM-3		\$ 3,134.10
CG-16M-25K-SM-3		\$ 3,134.10
CG-16M-35K-SM-3		\$ 3,134.10
CG-16M-50K-SM-3		\$ 7,705.32
CG-16M-75K-SM-3		\$ 7,705.32

### Stainless Steel Welded Load Cell with Mild Steel Mount 4-Module Kit

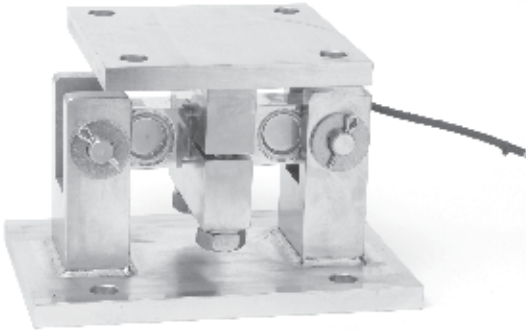
ORDER INFORMATION	DISCOUNT C	SUGGESTED
Part #		List Price
CG-16M-1K-SM-4		\$ 3,199.36
CG-16M-1.5K-SM-4		\$ 3,199.36
CG-16M-2K-SM-4		\$ 3,199.36
CG-16M-2.5K-SM-4		\$ 3,199.36
CG-16M-3K-SM-4		\$ 3,199.36
CG-16M-5K-SM-4		\$ 3,199.36
CG-16M-10K-SM-4		\$ 4,178.80
CG-16M-15K-SM-4		\$ 4,178.80
CG-16M-20K-SM-4		\$ 4,178.80
CG-16M-25K-SM-4		\$ 4,178.80
CG-16M-35K-SM-4		\$ 4,178.80
CG-16M-50K-SM-4		\$ 10,273.76
CG-16M-75K-SM-4		\$ 10,273.76

# CG-16M-SSW

TANK WEIGHING MODULE

For Load Cell Specifications  
See Page 71, CG-16-SSW

Coti Global Sensors • 5699 Highway 53 Harvest, Alabama 35749 • Toll Free: 1-866-762-COTI(2684) • Fax: 256-852-9903 • www.cotiglobal.com



## Coti Global Sensors - CG-16M-SSW Center Load Square Beam Mount Assembly - Includes Load Cell

Complete Kit Includes:

- 3 or 4 CG-16 SSW Stainless Steel welded double ended shear beam load cells
- 3 or 4 CG-16M compression mounts
- 1 SS-34AS stainless steel signal trim junction box
- 25' Hostile Environment Cable

Applications:

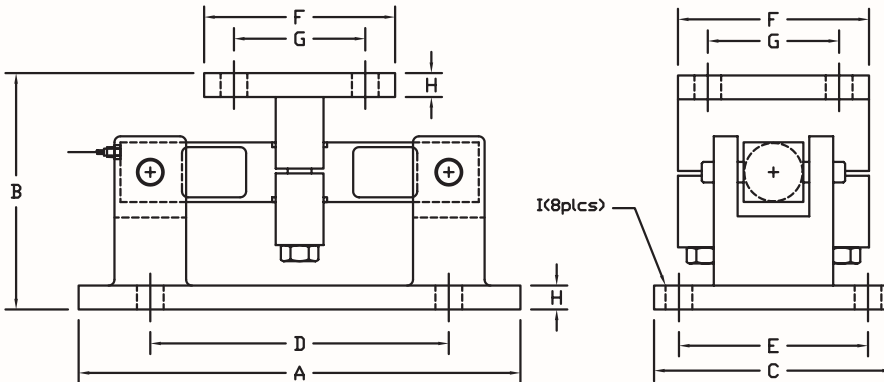
- Medium to heavy-capacity tanks, bins and hoppers
- Bulk material management



UBC Seismic Approved

The CG-16M-SSW is designed for use in medium to heavy capacity tanks, hoppers and bin scales. Perfect for mechanical conversions and new installations. This low profile mount with its bolt in place design simplifies the conversion of any tank or hopper into a scale. The self checking design eliminates the need for external hardware.

Main Dimensions and Accessories



RATED CAPACITY	DIMENSIONS									
	A	B	C	D	E	F	G	H	I	
1K-5K	9.25	5.00	5.00	6.25	3.75	4.00	2.75	0.50	0.56	
10K-25K	12.00	7.90	8.00	7.50	6.00	8.00	6.00	0.75	0.81	
35K	12.00	7.90	8.00	7.50	6.00	8.00	6.00	0.75	0.81	
50K	16.25	9.30	12.00	11.50	9.50	9.00	6.50	1.00	0.81	
75K	16.25	9.30	12.00	11.50	9.50	9.00	6.50	1.00	0.81	

### Stainless Steel Welded Load Cell with Stainless Steel Mount

ORDER INFORMATION	DISCOUNT C	SUGGESTED LIST PRICE
CG-16M-1K-SSW		\$ 1,236.43
CG-16M-1.5K-SSW		\$ 1,236.43
CG-16M-2K-SSW		\$ 1,236.43
CG-16M-2.5K-SSW		\$ 1,236.43
CG-16M-3K-SSW		\$ 1,236.43
CG-16M-5K-SSW		\$ 1,236.43
CG-16M-10K-SSW		\$ 1,990.64
CG-16M-15K-SSW		\$ 1,990.64
CG-16M-20K-SSW		\$ 1,990.64
CG-16M-25K-SSW		\$ 1,990.64
CG-16M-35K-SSW		\$ 1,990.64
CG-16M-50K-SSW		\$ 4,472.45
CG-16M-75K-SSW		\$ 4,472.45

### Stainless Steel Welded Load Cell with Stainless Steel Mount 3-Module Kit

ORDER INFORMATION	DISCOUNT C	SUGGESTED LIST PRICE
CG-16M-1K-SSW-3		\$ 3,709.29
CG-16M-1.5K-SSW-3		\$ 3,709.29
CG-16M-2K-SSW-3		\$ 3,709.29
CG-16M-2.5K-SSW-3		\$ 3,709.29
CG-16M-3K-SSW-3		\$ 3,709.29
CG-16M-5K-SSW-3		\$ 3,709.29
CG-16M-10K-SSW-3		\$ 5,971.92
CG-16M-15K-SSW-3		\$ 5,971.92
CG-16M-20K-SSW-3		\$ 5,971.92
CG-16M-25K-SSW-3		\$ 5,971.92
CG-16M-35K-SSW-3		\$ 5,971.92
CG-16M-50K-SSW-3		\$13,417.35
CG-16M-75K-SSW-3		\$13,417.35

### Stainless Steel Welded Load Cell with Stainless Steel Mount 4-Module Kit

ORDER INFORMATION	DISCOUNT C	SUGGESTED LIST PRICE
CG-16M-1K-SSW-4		\$ 4,945.72
CG-16M-1.5K-SSW-4		\$ 4,945.72
CG-16M-2K-SSW-4		\$ 4,945.72
CG-16M-2.5K-SSW-4		\$ 4,945.72
CG-16M-3K-SSW-4		\$ 4,945.72
CG-16M-5K-SSW-4		\$ 4,945.72
CG-16M-10K-SSW-4		\$ 7,962.56
CG-16M-15K-SSW-4		\$ 7,962.56
CG-16M-20K-SSW-4		\$ 7,962.56
CG-16M-25K-SSW-4		\$ 7,962.56
CG-16M-35K-SSW-4		\$ 7,962.56
CG-16M-50K-SSW-4		\$ 17,889.80
CG-16M-75K-SSW-4		\$ 17,889.80

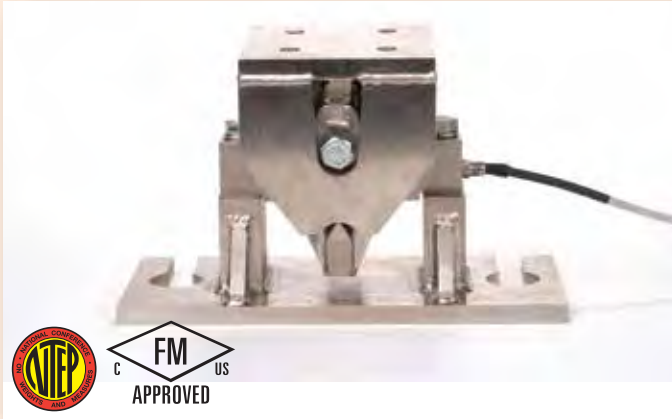


# CG-TSA

## TRUCK SCALE ASSEMBLY

For Load Cell Specifications  
See Page 73, CG-58

Coti Global Sensors • 5699 Highway 53 Harvest, Alabama 35749 • Toll Free: 1-866-762-COTI(2684) • Fax: 256-852-9903 • www.cotiglobal.com



### Coti Global Sensors - CG-TSA Truck Scale Assembly Includes Load Cell

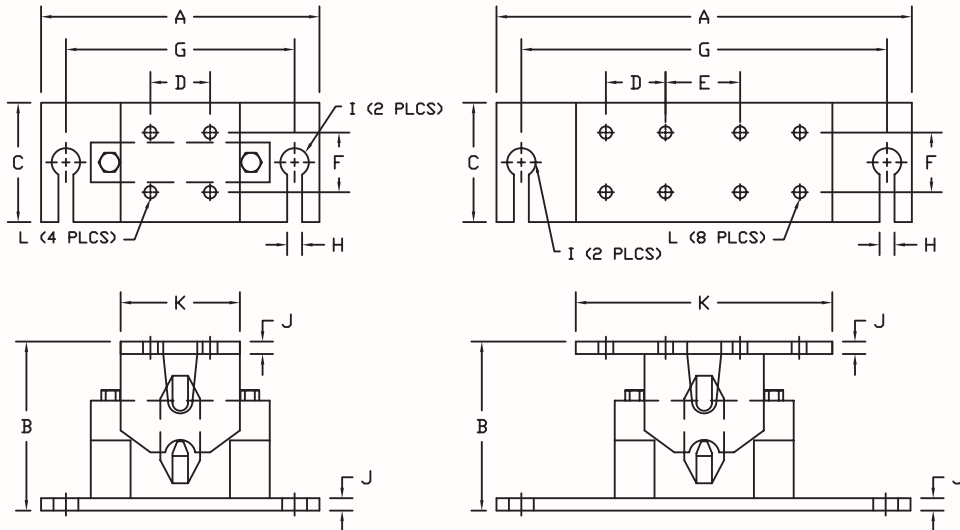
#### Features

- High Performance Suspension System
- Center-loaded double-ended shear beam design
- Self Checking design
- Rubber pad provided for mounting.

#### Applications:

- Truck, track, horizontal tank or general purpose
- Light-duty livestock to heavy-duty vehicle scales

Main Dimensions and Accessories



RATED CAPACITY	DIMENSIONS											
	A	B	C	D	E	F	G	H	I	J	K	L
10K-25K	14.00	8.75	6.00	3.00	-	3.00	11.00	0.88	1.75	0.62	6.00	5/8-11UNC
50K-75K	18.00	11.00	7.00	3.00	4.00	3.50	14.00	1.10	2.00	0.75	12.75	3/4-10UNC

#### Alloy Load Cell with Mild Steel Mount

ORDER INFORMATION	DISCOUNT C	SUGGESTED
Part #		List Price
*CG-TSA-10K-MS		\$1,499.93
*CG-TSA-20K-MS		\$1,499.93
CG-TSA-25K-MS		\$1,499.93
CG-TSA-50K-MS		\$1,922.16
CG-TSA-60K-MS		\$1,922.16
CG-TSA-75K-MS		\$1,922.16

\*NON-NTEP

# CG-Z6M-SS

TANK MOUNT

For Load Cell Specifications

See Page 35, CG-Z6

Coti Global Sensors • 5699 Highway 53 Harvest, Alabama 35749 • Toll Free: 1-866-762-COTI(2684) • Fax: 256-852-9903 • www.cotiglobal.com



## Coti Global Sensors - CG-Z6M-SS Tank Weighing Assembly, - Includes Load Cell

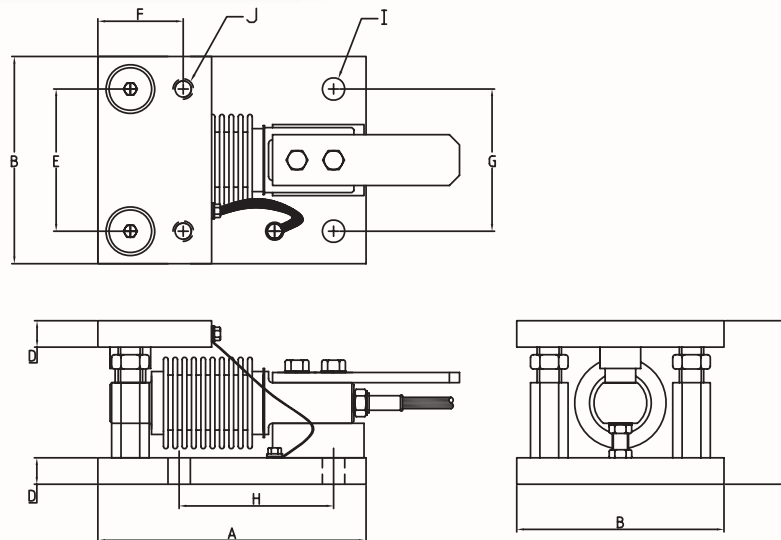
Complete Kit Includes:

- 3 or 4 CG-Z6 Stainless Steel load cells
- 3 or 4 CG-Z6M-SS compression mounts
- 1 SS-34AS stainless steel signal trim junction box
- 25' Hostile Environment Cable

Applications:

- Chemical batching/blending
- Poultry, Meat and Processing
- Multi-ingredient batching

Main Dimensions and Accessories



RATED CAPACITY	DIMENSIONS									
	A	B	C	D	E	F	G	H	I	J
(5-500)KG	5.20	4.01	3.17	0.50	2.75	1.65	2.75	2.99	0.433	M10

### Stainless Steel Load Cell with Stainless Steel Mount

ORDER INFORMATION	DISCOUNT C	SUGGESTED
Part #		List Price
CG-Z6M-5Kg-SS		\$ 1,004.85
CG-Z6M-10Kg-SS		\$ 1,004.85
CG-Z6M-20Kg-SS		\$ 1,004.85
CG-Z6M-50Kg-SS		\$ 1,004.85
CG-Z6M-100Kg-SS		\$ 1,004.85
CG-Z6M-200Kg-SS		\$ 1,004.85
CG-Z6M-250Kg-SS		\$ 1,004.85
CG-Z6M-500Kg-SS		\$ 1,004.85

### Stainless Steel Load Cell with Stainless Steel Mount 3-Module Kit

ORDER INFORMATION	DISCOUNT C	SUGGESTED
Part #		List Price
CG-Z6M-5Kg-SS-3		\$ 3,014.55
CG-Z6M-10Kg-SS-3		\$ 3,014.55
CG-Z6M-20Kg-SS-3		\$ 3,014.55
CG-Z6M-50Kg-SS-3		\$ 3,014.55
CG-Z6M-100Kg-SS-3		\$ 3,014.55
CG-Z6M-200Kg-SS-3		\$ 3,014.55
CG-Z6M-250Kg-SS-3		\$ 3,014.55
CG-Z6M-500Kg-SS-3		\$ 3,014.55

### Stainless Steel Load Cell with Stainless Steel Mount 4-Module Kit

ORDER INFORMATION	DISCOUNT C	SUGGESTED
Part #		List Price
CG-Z6M-5Kg-SS-4		\$ 4,019.40
CG-Z6M-10Kg-SS-4		\$ 4,019.40
CG-Z6M-20Kg-SS-4		\$ 4,019.40
CG-Z6M-50Kg-SS-4		\$ 4,019.40
CG-Z6M-100Kg-SS-4		\$ 4,019.40
CG-Z6M-200Kg-SS-4		\$ 4,019.40
CG-Z6M-250Kg-SS-4		\$ 4,019.40
CG-Z6M-500Kg-SS-4		\$ 4,019.40



# CG-TWM

TANK MOUNT

STAINLESS STEEL

Coti Global Sensors • 5699 Highway 53 Harvest, Alabama 35749 • Toll Free: 1-866-762-COTI(2684) • Fax: 256-852-9903 • www.cotiglobal.com



## CG-TWM ORDER INFORMATION

	DISCOUNT C	SUGGESTED LIST PRICE
1K		\$ 735.00
2.5K		\$ 735.00
5K		\$ 735.00
10K		\$ 735.00
15K		\$ 735.00
20K		\$ 1365.00
50K		\$ 1365.00

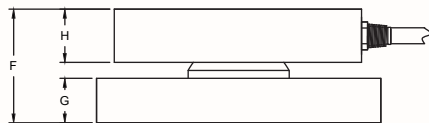
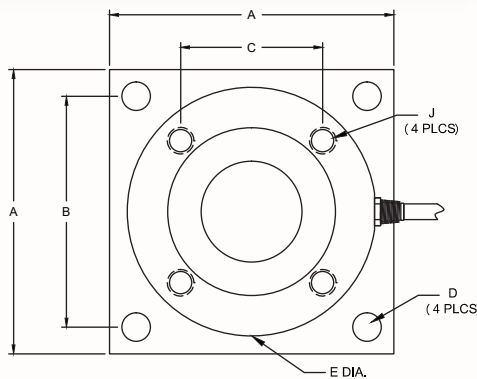
## ACCESSORIES

	DISCOUNT E	SUGGESTED LIST PRICE
686 Top Plate 1K-15K		\$ 148.84
687 Top Plate 20K-50K		\$ 336.26

## INTERCHANGEABLE PRODUCTS

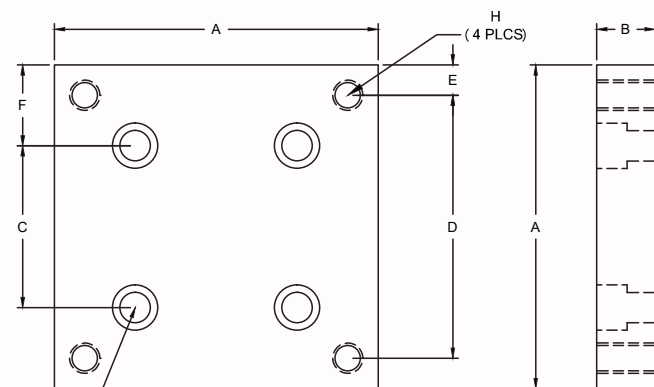
Rice Lake..... RL9000TWM  
\*mount kit pricing available upon request.

### Main Dimensions and Accessories



RATED CAPACITY	DIMENSIONS								
	A	B	C	D	E	F	G	H	J
1K-10K	4.00	3.25	2.00	0.40	3.50	1.35	0.38	0.75	3/8-16 UNC
15K	4.00	3.25	2.00	0.40	3.50	1.60	0.63	0.75	3/8-16 UNC
20K-50K	7.00	5.50	3.75	0.63	6.00	2.48	0.75	1.30	1/2-13 UNC

PART NUMBER	RATED CAPACITY	DIMENSIONS							
		A	B	C	D	E	F	G	H
#686	1K-15K	4.00	0.72	2.00	3.25	0.38	1.00	3/8 BOLT	3/8-16 UNC
#687	20K-50K	7.00	0.97	3.75	5.50	0.75	1.62	1/2 BOLT	5/8-11 UNC



TOP PLATE  
#686 (1K-15K) AND #687 (20K-50K)

## SPECIFICATIONS

Rated Output (mV/V)	3.00 mV/V	Input Impedance	350 ohms nominal
Nonlinearity	+/- 0.05% FS	Output Impedance	350 ohms +/- 3.5 ohms
Hysteresis	+/- 0.05% FS	Insulation Resistance	5000 Megohms
Repeatability	+/- 0.02% FS	Excitation Voltage	10V AC/DC (15V Max)
Creep (30 minutes)	+/- 0.03% FS	Compensated Temperature Range	-10°C - +40°C
Zero Balance	+/- 1.00% FS	Operating Temperature Range	-20°C - +60°C
Temperature Effect on Zero	+/- 0.0027% of rated output/°C	Safe Overload	150% FS
Temperature Effect on Output	+/- 0.0015% of applied load/°C	Cable Length	25' Teflon Cable
Cable Color Code	Input Output	Seal Type	Environmentally-Sealed, IP67
	Green +Excitation White +Signal		
	Black -Excitation Red -Signal		
	Braid/Yellow: Shield		
		BOLTS SIZES	
		#686 SS 3/8-16 x 7/8"	
		#687 SS 1/2-13 x 1-1/2"	

# ▶ WBM-W

▶ TRUCK MOUNT

▶ For Load Cell Specifications  
See Page 57, CG-WB-SS

Coti Global Sensors • 5699 Highway 53 Harvest, Alabama 35749 • Toll Free: 1-866-762-COTI(2684) • Fax: 256-852-9903 • www.cotiglobal.com

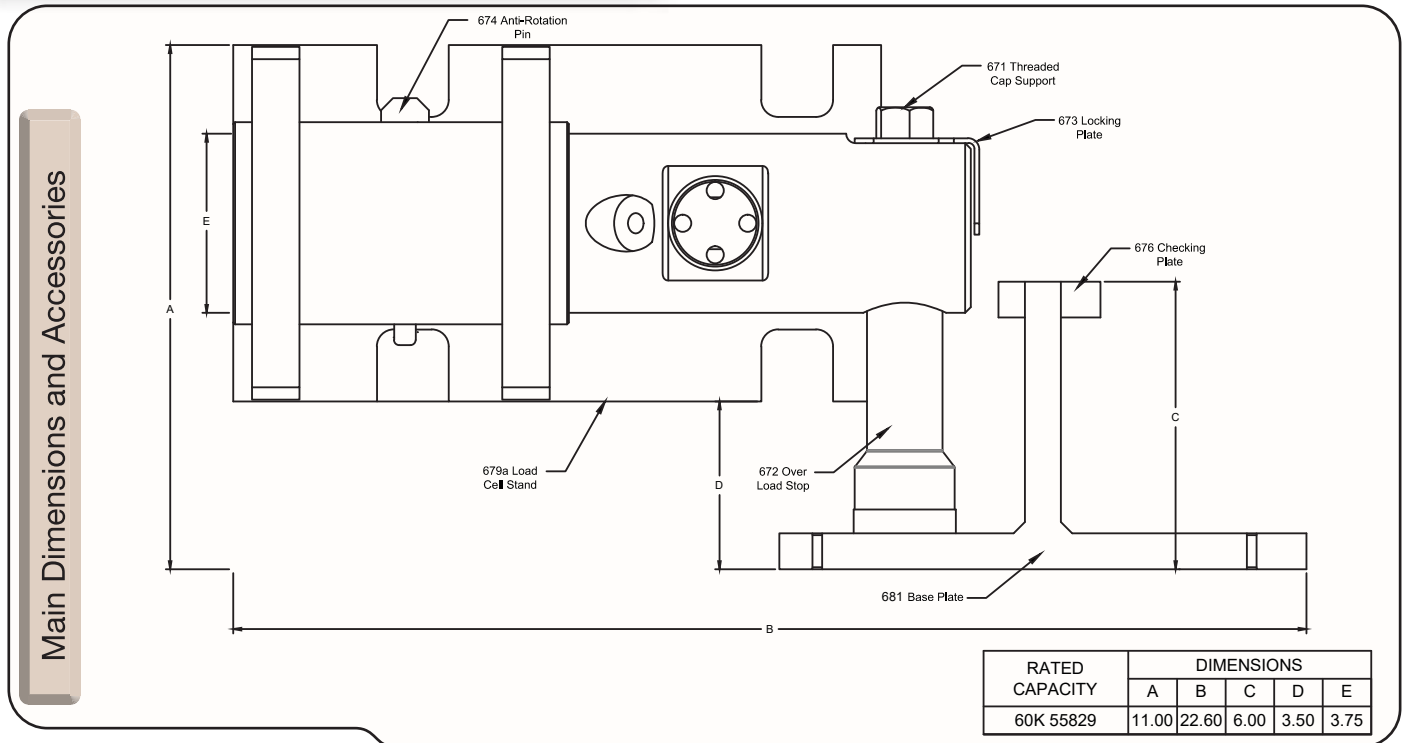
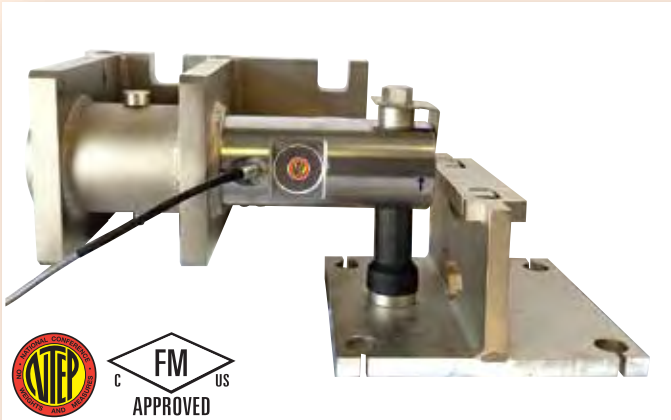
## Coti Global Sensors - WBM-W Truck Mount Assembly - Includes Load Cell

Complete Kit Includes:

- 4 or 8 CG-WB SS Stainless Steel NTEP load cells
- 4 or 8 WBM-W mounts
- Stainless steel signal trim junction box (s) included
- 25' Hostile Environment Cable

Applications:

- Truck Scales



### Stainless Steel NTEP Load Cell with Mild Steel Mount

ORDER INFORMATION	DISCOUNT C	SUGGESTED
Part #		List Price
WBM-W-60K		\$ 2,554.02

### Stainless Steel NTEP Load Cell with Mild Steel Mount 4-Module Kit

ORDER INFORMATION	DISCOUNT C	SUGGESTED
Part #		List Price
WBM-W-60K-4		\$ 10,216.08

### Stainless Steel NTEP Load Cell with Mild Steel Mount 8-Module Kit

ORDER INFORMATION	DISCOUNT C	SUGGESTED
Part #		List Price
WBM-W-60K-8		\$ 20,432.16

### ACCESSORIES DISCOUNT E SUGGESTED

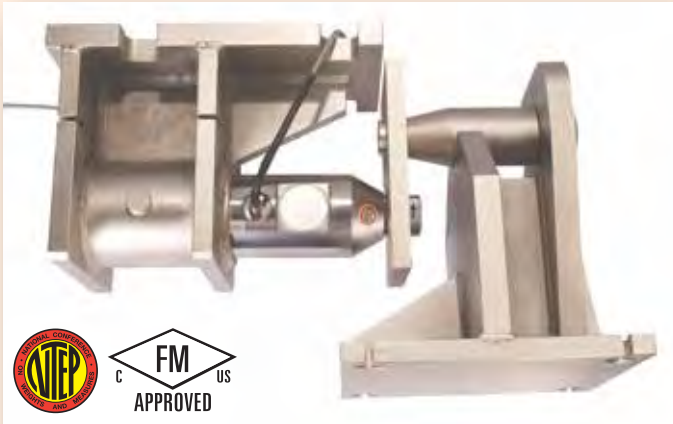
Part #	Description	List Price
671	Threaded Cap	\$ 78.83
672	Overload Stop (2 pieces)	\$ 103.09
673	Locking Plate	\$ 32.75
674	Anti-Rotation Pin	\$ 24.26
676	Checking Plate	\$ 42.45
679A	Load Cell Stand	\$ 648.83
681	Base Plate	\$ 648.83

# WBM-X

## TRUCK MOUNT

For Load Cell Specifications  
See Page 57, CG-WB-SS

Coti Global Sensors • 5699 Highway 53 Harvest, Alabama 35749 • Toll Free: 1-866-762-COTI(2684) • Fax: 256-852-9903 • www.cotiglobal.com



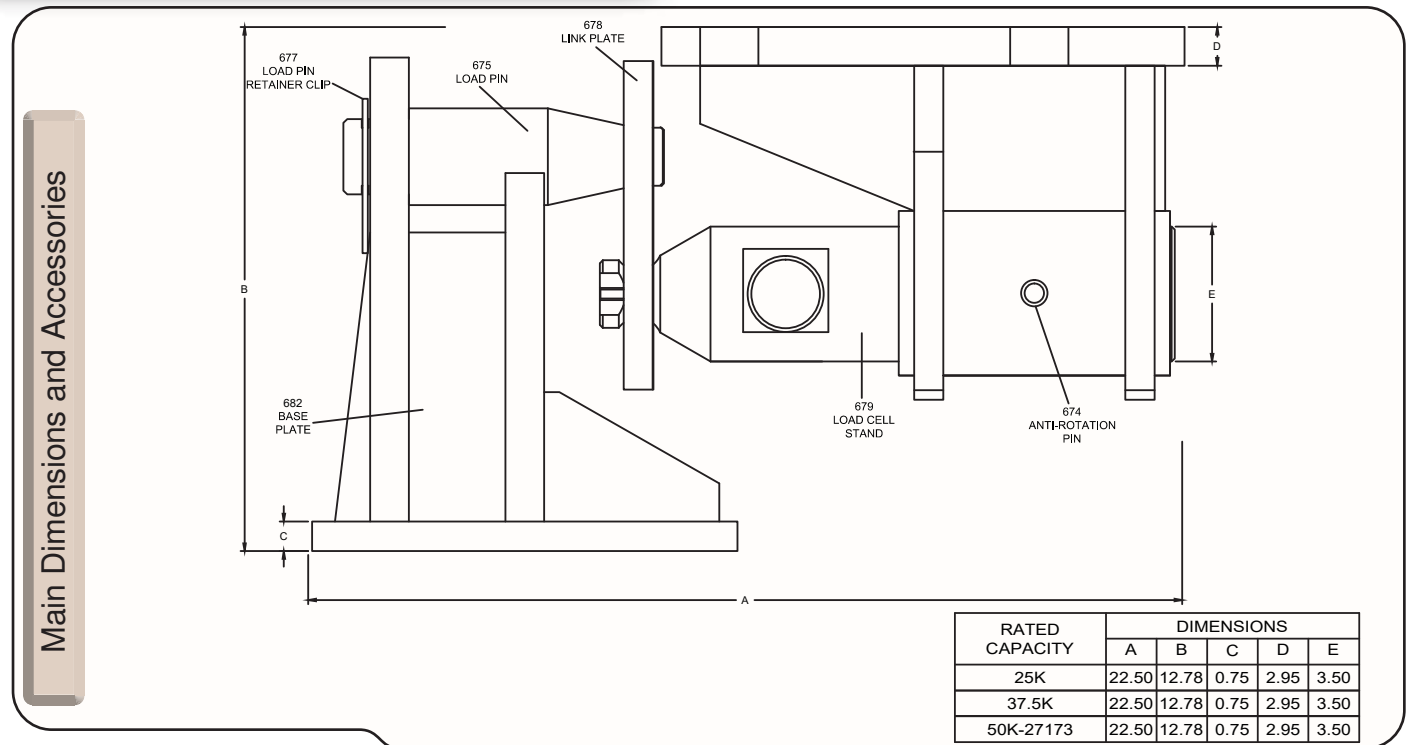
### Coti Global Sensors - WBM-X Truck Mount Assembly - Includes Load Cell

Complete Kit Includes:

- 4,8 or 12 CG-WB SS Stainless Steel NTEP load cells
- 4,8 or 12 WBM-X mounts
- Stainless steel signal trim junction box (s) included
- 25' Hostile Environment Cable

Applications:

- Truck Scales



#### Stainless Steel NTEP Load Cell with Mild Steel Mount

ORDER INFORMATION	DISCOUNT C	SUGGESTED
Part #		List Price
WBM-X-25K		\$ 2,309.20
WBM-X-37.5K		\$ 2,309.20
WBM-X-50K-27173		\$ 2,394.62

#### Stainless Steel NTEP Load Cell with Mild Steel Mount 4-Module Kit

ORDER INFORMATION	DISCOUNT C	SUGGESTED
Part #		List Price
WBM-X-25K-4		\$ 9,236.80
WBM-X-37.5K-4		\$ 9,236.80
WBM-X-50K-27173-4		\$ 9,578.48

#### Stainless Steel NTEP Load Cell with Mild Steel Mount 8-Module Kit

ORDER INFORMATION	DISCOUNT C	SUGGESTED
Part #		List Price
WBM-X-25K-8		\$ 18,473.60
WBM-X-37.5K-8		\$ 18,473.60
WBM-X-50K-27173-8		\$ 19,156.96

ACCESSORIES		DISCOUNT E	SUGGESTED
Part #	Description		List Price
674	Anti-Rotation Pin		\$ 24.26
675	Load Pin		\$ 169.79
677	Load Pin Retainer Clip		\$ 30.32
678	Link Plate		\$ 169.79
679	Load Cell Stand		\$ 630.63
682	Base Plate		\$ 630.63

#### Stainless Steel NTEP Load Cell with Mild Steel Mount 12-Module Kit

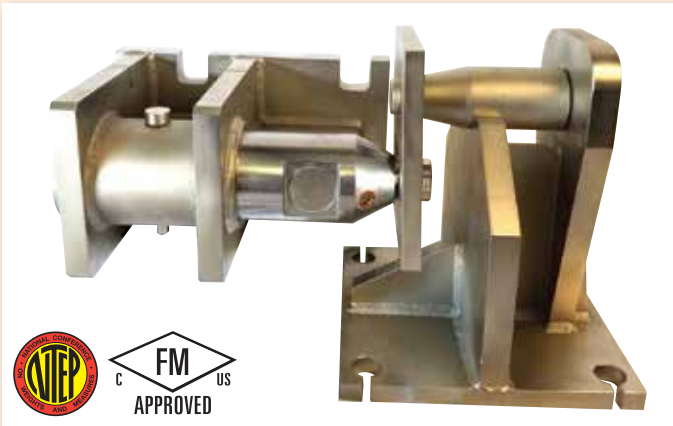
ORDER INFORMATION	DISCOUNT C	SUGGESTED
Part #		List Price
WBM-X-25K-12		\$ 27,710.40
WBM-X-37.5K-12		\$ 27,710.40
WBM-X-50K-27173-12		\$ 28,735.44

# ▶ WBM-Z

## ▶ TRUCK MOUNT

## ▶ For Load Cell Specifications See Page 57, CG-WB-SS

Coti Global Sensors • 5699 Highway 53 Harvest, Alabama 35749 • Toll Free: 1-866-762-COTI(2684) • Fax: 256-852-9903 • www.cotiglobal.com



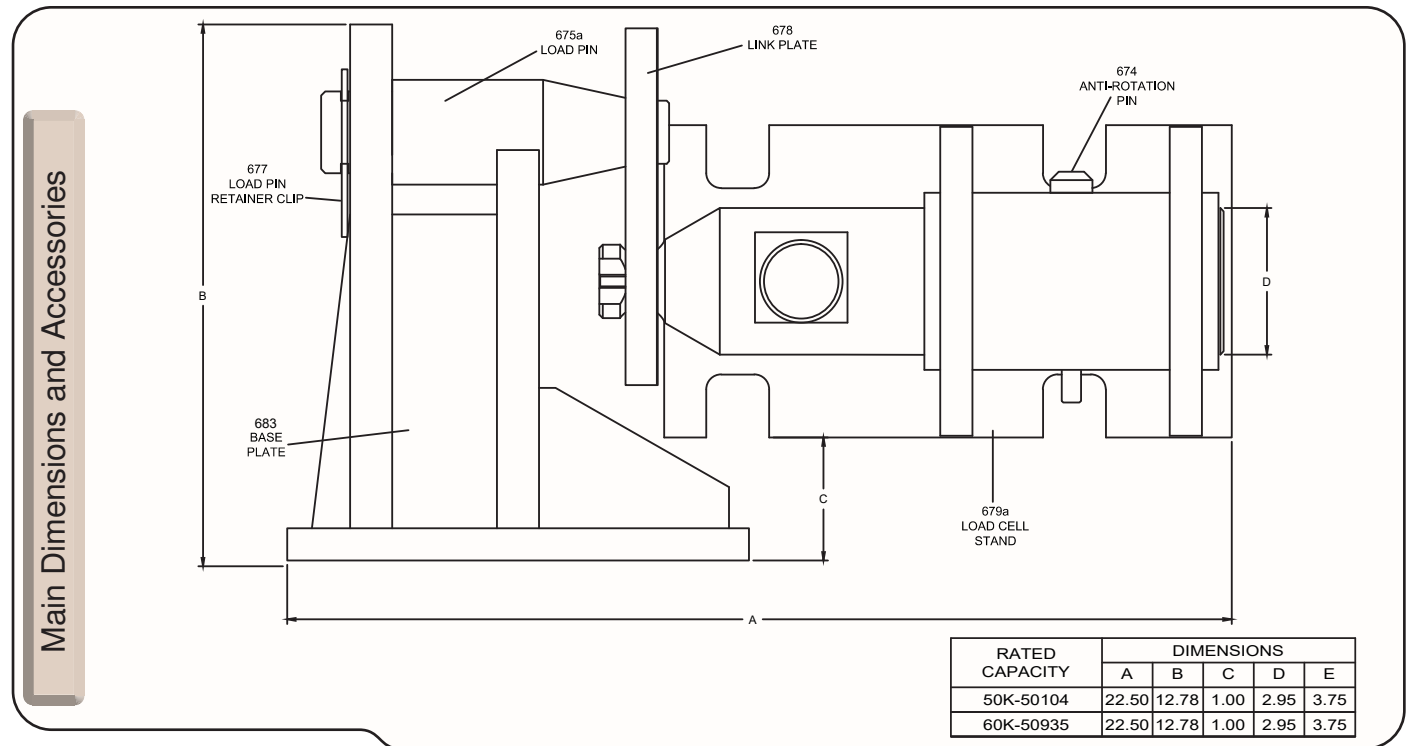
### Coti Global Sensors - WBM-Z Truck Mount Assembly - Includes Load Cell

#### Complete Kit Includes:

- 4,8 or 12 CG-WB SS Stainless Steel NTEP load cells
- 4,8 or 12 WBM-Z mounts
- Stainless steel signal trim junction box (s) included
- 25' Hostile Environment Cable

#### Applications:

- Truck Scales



#### Stainless Steel NTEP Load Cell with Mild Steel Mount

ORDER INFORMATION	DISCOUNT C	SUGGESTED
Part #		List Price
WBM-Z-50K		\$ 2,389.42
WBM-Z-60K		\$ 2,389.42

#### Stainless Steel NTEP Load Cell with Mild Steel Mount 4-Module Kit

ORDER INFORMATION	DISCOUNT C	SUGGESTED
Part #		List Price
WBM-Z-50K-4		\$ 9,557.68
WBM-Z-60K-4		\$ 9,557.68

#### Stainless Steel NTEP Load Cell with Mild Steel Mount 8-Module Kit

ORDER INFORMATION	DISCOUNT C	SUGGESTED
Part #		List Price
WBM-Z-50K-8		\$ 19,115.36
WBM-Z-60K-8		\$ 19,115.36

#### ACCESSORIES DISCOUNT E SUGGESTED

Part #	Description	List Price
674	Anti-Rotation Pin	\$ 24.26
675A	Load Pin	\$ 175.85
677	Load Pin Retainer Clip	\$ 30.32
678	Link Plate	\$ 169.79
679A	Load Cell Stand	\$ 648.83
688	Base Plate	\$ 648.83

#### Stainless Steel NTEP Load Cell with Mild Steel Mount 12-Module Kit

ORDER INFORMATION	DISCOUNT C	SUGGESTED
Part #		List Price
WBM-Z-50K-12		\$ 28,673.04
WBM-Z-60K-12		\$ 28,673.04



INTERNATIONAL  
SOCIETY OF  
WEIGHING AND  
MEASUREMENT



MEMBER



MEMBER