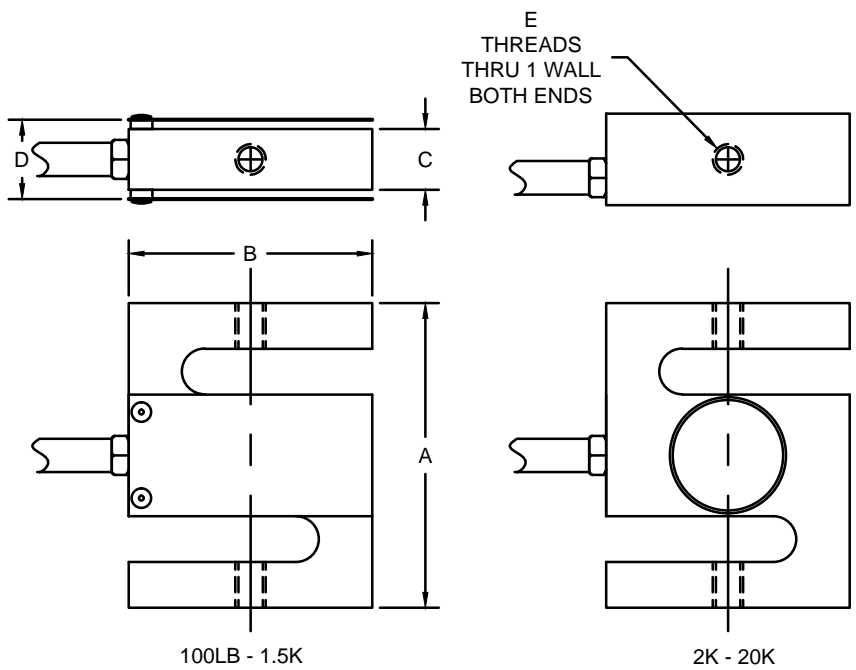


REVISIONS							
ZONE	LTR.	DESCRIPTION	DATE	ECN	BY	CKD	APVD
-	E	REDRAWN FOR CATALOG; ADDED NEW DETAILS TO THE TITLE BLOCK; CHANGES TO PERFORMANCE NOTES.	04/16/15	2015-14	RLU	JSP	AA
-	F	REDRAWN FOR LABELING CONSISTENCY	12/5/15	2016-40	TB	AB	AA



100LB - 1.5K

2K - 20K

RATED CAPACITY	DIMENSIONS				
	A	B	C	D (MAX)	E
100LB-200LB	2.50	2.00	0.50	0.75	1/4-28UNF
250LB-300LB	3.00	2.00	0.50	0.75	3/8-24UNF
500LB-1.5K	3.00	2.00	0.75	1.00	1/2-20UNF
2K-3K	3.00	2.00	1.00	-	1/2-20UNF
5K	4.25	3.00	1.00	-	3/4-16UNF
10K	4.75	3.50	1.00	-	3/4-16UNF
15K	5.50	4.00	1.25	-	1-14UNF
20K	7.00	5.00	2.00	-	1-1/4-12UNF

NOTES:
 1. DIAMETERS IN COMMON AXIS CONCENTRIC WITHIN 0.005 T.I.R.

- PERFORMANCE SPECIFICATIONS:** *Non-NTEP
- CAPACITIES: 100, 200, 250, 300, 500, 750, 1K, 1.5K, 2K, 2.5K, 3K, 5K, 10K, *15K, *20K. (LB)
 - RATED OUTPUT: 3.00 ±0.25% mV/V.
 - SAFE OVERLOAD: 150% FS.
 - EXCITATION VOLTAGE: 10V AC/DC (15V MAX).
 - INPUT RESISTANCE: 385 ±10Ω.
 - OUTPUT RESISTANCE: 350 ±3Ω.
 - ZERO BALANCE: ±1.00% FS.
 - SEAL TYPE: ENVIRONMENTALLY SEALED IP67.
 - NON-LINEARITY: ±0.03% FS.
 - HYSTERESIS: ±0.02% FS.
 - REPEATABILITY: ±0.01% FS.
 - CREEP: 0.02% FS IN 30 MINUTES.
 - NTEP RATED.
 - CLASS III L, 10000 DIVISIONS, SINGLE CELL APPLICATION.
 - COMPENSATED TEMPERATURE: -10°C TO +40°C.
 - TEMPERATURE EFFECT ON ZERO: ± 0.0027% FS/°C.
 - TEMPERATURE EFFECT ON OUTPUT: ±0.0015% FS/°C.
 - INSULATION RESISTANCE: 5000 MEGOHMS.
 - LOAD CELL CABLE:
 4-26AWG, Ø3.8MM, PVC, 20FT. (100LB - 200LB).
 4-24AWG, Ø5.6MM, PVC, 20FT. (250LB - 10K LB)
 - LOAD CELL WIRING:
 GRN(+ EXC)
 BLK(- EXC)
 WHT(+ SIG)
 RED(- SIG)
 BRAIDED/YELLOW: SHIELD
 - FM APPROVED.

DO NOT ALTER WITHOUT AGENCY NOTIFICATION
 COTI GLOBAL SENSORS, INC.

	THIS DRAWING USES THIRD ANGLE PROJECTION	APPROVALS	DATE	SCALE SIZE PART/DRAWING NO. NONE B DOD-CGSB-SS	REV. F
		DRAWN: RLU	04/16/15		
THIS DOCUMENT CONTAINS PROPRIETARY INFORMATION AND SUCH INFORMATION MAY NOT BE REPRODUCED OR DISCLOSED FOR ANY PURPOSE OR USED TO PRODUCE THE ARTICLE OR SUBJECT WITHOUT WRITTEN PERMISSION FROM COTI GLOBAL SENSORS, INC.	TOLERANCES UNLESS OTHERWISE SPECIFIED .XX = ±0.02" .XXX = ±0.005" .XXXX = ±0.0002" FRACTIONS: ±1/16" ANGLES DEG: ±18	CHECKED: AA	04/16/15	MODEL CGSB-SS	SHEET 1 OF 1
		ENGINEER: JSP	04/16/15		
		APPROVED: AA	04/16/15		
		MATERIAL: STAINLESS STEEL			
		FINISH: PASSIVATED			