

REVISIONS							
ZONE	LTR.	DESCRIPTION	DATE	ECN	BY	CKD	APVD
-	-	INITIAL RELEASE	11/19/09	-	-	-	-
-	B	CHANGED CAPACITY LIST	2/05/10	-	-	-	-
-	E	REDRAWN FOR LABELING CONSISTENCY	01/25/16	2016-09	TB	AB	AA
-	F	UPDATED NOTES UNDER MIDDLE GRAPHIC	06/02/16	2016-80	TB	AB	AA

\*NON-NTEP

PERFORMANCE SPECIFICATIONS:

- CAPACITIES: 100LB, 200LB, 250LB, 300LB, 500LB, 750LB, 1K, 1.5K, 2K, 2.5K, 3K, 5K, 10K,
- RATED OUTPUT: 3.00 mV/V  $\pm 0.1\%$
- SAFE OVERLOAD: 150% FS
- EXCITATION VOLTAGE: 10-20V AC/DC
- INPUT RESISTANCE: 385  $\pm 10$  OHMS
- OUTPUT RESISTANCE: 350  $\pm 3$  OHMS
- ZERO BALANCE:  $\pm 1.00\%$  FS
- SEAL TYPE: ENVIRONMENTALLY SEALED, IP67
- NON-LINEARITY:  $\pm 0.03\%$  FS
- HYSTERESIS:  $\pm 0.02\%$  FS
- REPEATABILITY:  $\pm 0.01\%$  FS
- CREEP:  $\pm 0.02\%$  FS
- NTEP RATED
- CLASS 111L 10,000 DIVISION, SINGLE CELL
- COMPENSATED TEMPERATURE RANGE: -10°C - +40°C
- TEMPERATURE EFFECT ON ZERO:  $\pm 0.0027\%$ FS/°C
- TEMPERATURE EFFECT ON OUTPUT:  $\pm 0.0015\%$ FS/°C
- INSULATION RESISTANCE: >5000 MEGOHMS
- LOAD CELL CABLE: 4 CONDUCTOR, 20 FT
- LOAD CELL WIRING:
  - GREEN +EXC
  - BLACK -EXC
  - WHITE +SIG
  - RED -SIG
  - BRAID/YELLOW: SHEILD
- FM APPROVED

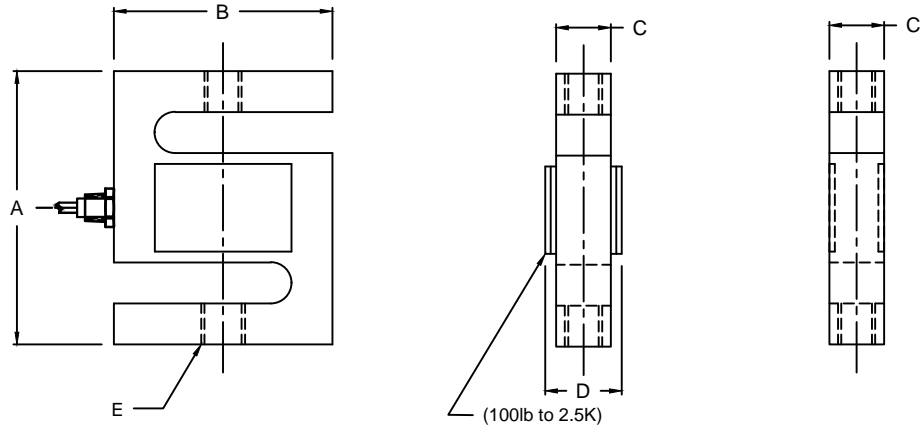
'DO NOT ALTER WITHOUT AGENCY NOTIFICATION'

COTI GLOBAL SENSORS, INC.

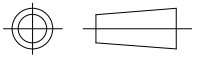
CGSB-1 S-BEAM  
NTEP LOAD CELL

SCALE	SIZE	PART/DRAWING NO.	REV.
NONE	B	DOD-CGSB-1	F
MODEL CGSB			SHEET 1 OF 1

THIS DOCUMENT CONTAINS PROPRIETARY INFORMATION AND SUCH INFORMATION MAY NOT BE REPRODUCED OR DISCLOSED FOR ANY PURPOSE OR USED TO PRODUCE THE ARTICLE OR SUBJECT WITHOUT WRITTEN PERMISSION FROM COTI GLOBAL SENSORS, INC.	TOLERANCES UNLESS OTHERWISE SPECIFIED .XX- $\pm 0.01$ .XXX- $\pm 0.005$ FRACTIONS- $\pm 1/16"$ ANGLES: $\pm 1/2"$	APPROVALS	DATE
		DRAWN: DMH	2/05/10
		CHECKED: MB	2/05/10
		ENGINEER: DMH	2/05/10
MATERIAL		APPROVED: AA	2/05/10
ALLOY STEEL			



RATED CAPACITY	DIMENSIONS				
	A	B	C	D	E
100lb-300lb	2.50	2.00	0.50	0.75	1/4-28UNF
500lb-2.5K	2.50	2.00	0.75	1.00	1/2-20UNF
3K	4.00	3.00	1.00	-	1/2-20UNF
5K-10K	4.00	3.00	1.00	-	3/4-16UNF



THIS DRAWING USES THIRD ANGLE PROJECTION

THIS DOCUMENT CONTAINS PROPRIETARY INFORMATION AND SUCH INFORMATION MAY NOT BE REPRODUCED OR DISCLOSED FOR ANY PURPOSE OR USED TO PRODUCE THE ARTICLE OR SUBJECT WITHOUT WRITTEN PERMISSION FROM COTI GLOBAL SENSORS, INC.

TOLERANCES UNLESS OTHERWISE SPECIFIED  
 .XX- $\pm 0.01$   
 .XXX- $\pm 0.005$   
 FRACTIONS- $\pm 1/16"$   
 ANGLES:  $\pm 1/2"$

APPROVALS	DATE
DRAWN: DMH	2/05/10
CHECKED: MB	2/05/10
ENGINEER: DMH	2/05/10
APPROVED: AA	2/05/10
MATERIAL	
ALLOY STEEL	