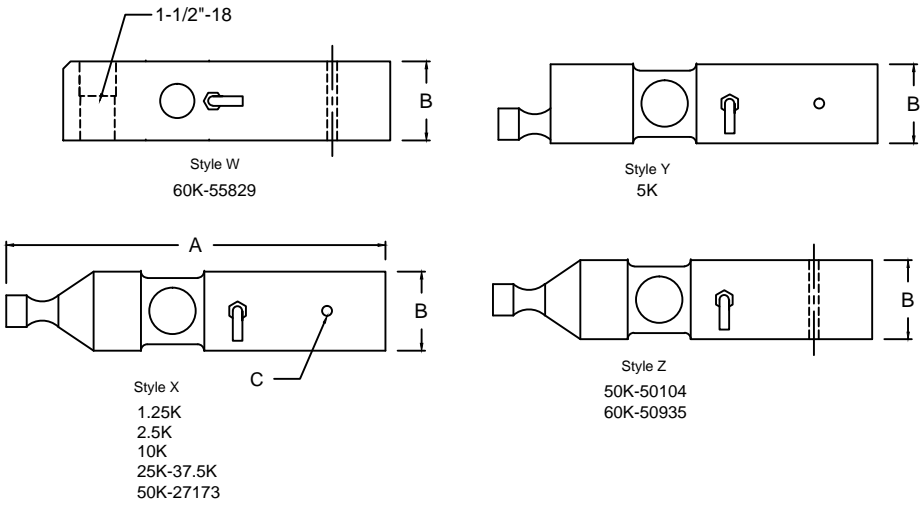


REVISIONS							
ZONE	LTR.	DESCRIPTION	DATE	ECN	BY	CKD	APVD
-	D	REDRAWN FOR LABELING CONSISTENCY	01/12/16	2016-77	TB	AB	AA

*NON-NTEP

PERFORMANCE SPECIFICATIONS:

- CAPACITIES: *1.25K, 2.5K, 5K, 10K, 25K, 37.5K, 50K, 60K, & *75K LB
(3.00mV/V ±0.1% 37.5K, 50K, 60K, 75K)
- RATED OUTPUT: 2.00 mV/V ±0.1%
- SAFE OVERLOAD: 150% FS
- EXCITATION VOLTAGE: 10-20V AC/DC
- INPUT RESISTANCE: 385 ±10 OHMS
- OUTPUT RESISTANCE: 350 ±3 OHMS
- ZERO BALANCE: ±1.00% FS
- SEAL TYPE: ENVIRONMENTALLY SEALED, IP67
- NON-LINEARITY: ±0.03% FS
- HYSTERESIS: ±0.02% FS
- REPEATABILITY: ±0.01% FS
- CREEP: ±0.02% FS
- NTEP RATED
- CLASS 111 5,000 DIVISION, MULTIPLE CELL
- COMPENSATED TEMPERATURE RANGE: -10°C - +40°C
- TEMPERATURE EFFECT ON ZERO: ±0.0027%/FS/°C
- TEMPERATURE EFFECT ON OUTPUT: ±0.0015%/FS/°C
- INSULATION RESISTANCE: >5000 MEGOHMS
- LOAD CELL CABLE:
1.25K - 10K: 4 CONDUCTOR, 20 FT
25K - 75K: 4 CONDUCTOR, 50 FT (BRAIDED SHIELD)
- LOAD CELL WIRING:
GREEN +EXC
BLACK -EXC
WHITE +SIG
RED -SIG
BRAID/YELLOW: SHIELD
- FM APPROVED



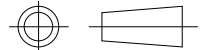
RATED CAPACITY	DIMENSIONS			
	STYLE	A	B	C
1.25K	X	11.50	1.25	0.31
2.5K	X	11.50	1.62	0.38
5K	Y	10.88	2.00	0.38
10K	X	12.62	2.50	0.38
25K-37.5K	X	14.88	3.50	0.50
50K-27173	X	14.88	3.50	0.50
50K-50104	Z	14.88	3.75	0.50
60K-50935	Z	14.88	3.75	0.50
60K-55829	W	15.39	3.75	0.50
75K	X	18.88	5.00	0.50

'DO NOT ALTER WITHOUT AGENCY NOTIFICATION'

COTI GLOBAL SENSORS, INC.

CG-WB-SS SINGLE ENDED BEAM NTEP LOAD CELL

APPROVALS		DATE
DRAWN: MTSI		10/01/08
CHECKED: MB		10/01/08
ENGINEER: AA		10/01/08
APPROVED: AA		10/01/08
MATERIAL		
STAINLESS STEEL		



THIS DOCUMENT CONTAINS PROPRIETARY INFORMATION AND SUCH INFORMATION MAY NOT BE REPRODUCED OR DISCLOSED FOR ANY PURPOSE OR USED TO PRODUCE THE ARTICLE OR SUBJECT WITHOUT WRITTEN PERMISSION FROM COTI GLOBAL SENSORS, INC.

TOLERANCES UNLESS OTHERWISE SPECIFIED
XX±.01
.XXX±.005
FRACTIONS±1/16"
ANGLES: ±1/2°

SCALE	SIZE	PART/DRAWING NO.	REV.
NONE	B	DOD-CG-WB-SS	D
MODEL CG-WB-SS		SHEET 1 OF 1	