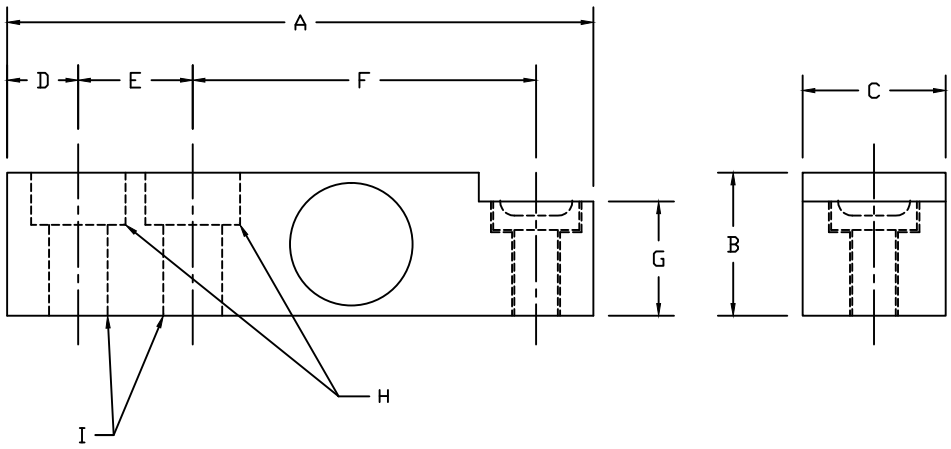


REVISIONS							
ZONE	LTR.	DESCRIPTION	DATE	ECN	BY	CKD	APVD
-	-	INITIAL RELEASE	10/01/08	-	-	-	-



PERFORMANCE SPECIFICATIONS:

1. CAPACITIES: 500LB, 1K, 2.5K, 4K, & 5KSE LB
2. RATED OUTPUT: 3.00 mV/V
3. SAFE OVERLOAD: 150% FS
4. EXCITATION VOLTAGE: 10-20V AC/DC
5. INPUT RESISTANCE: 385 ±10 OHMS
6. OUTPUT RESISTANCE: 350 ±3 OHMS
7. ZERO BALANCE: ±1.00% FS
8. SEAL TYPE: ENVIRONMENTALLY SEALED, IP67
9. NON-LINEARITY: ±0.03% FS
10. HYSTERESIS: ±0.02% FS
11. REAPEATABLITY: ±0.01% FS
12. CREEP: ±0.02% FS
13. NTEP RATED
14. CLASS III 5,000 DIVISION, MULTIPLE CELL
15. COMPENSATED TEMPERATURE RANGE: -10°C - +40°C
16. TEMPERATURE EFFECT ON ZERO: ±0.0027%FS/°C
17. TEMPERATURE EFFECT ON OUTPUT: ±0.0015%FS/°C
18. INSULATION RESISTANCE: >5000 MEGOHMS
19. LOAD CELL CABLE: 4 CONDUCTOR, 20 FT
20. LOAD CELL WIRING:
 - GREEN +EXC
 - BLACK -EXC
 - WHITE +SIG
 - RED -SIG
 - BRAID/YELLOW: SHEILD
21. FM APPROVED

RATED CAPACITY	DIMENSIONS								
	A	B	C	D	E	F	G	H	I
500-5KSE	5.12	1.25	1.25	0.62	1.00	3.00	1.00	0.81	0.53

'DO NOT ALTER WITHOUT AGENCY NOTIFICATION'

COTI GLOBAL SENSORS, INC.

CG-MK15 SINGLE ENDED BEAM NTEP LOAD CELL

THIS DRAWING USES THIRD ANGLE PROJECTION THIS DOCUMENT CONTAINS PROPRIETARY INFORMATION AND SUCH INFORMATION MAY NOT BE REPRODUCED OR DISCLOSED FOR ANY PURPOSE OR USED TO PRODUCE THE ARTICLE OR SUBJECT WITHOUT WRITTEN PERMISSION FROM COTI GLOBAL SENSORS, INC.	TOLERANCES UNLESS OTHERWISE SPECIFIED BY Y&B 888 0000/0000/0000 FFB1 A 00-000000 FBA	APPROVALS	DATE
		DRAWN: MTSI	10/01/08
		CHECKED: MB	10/01/08
		ENGINEER: AA	10/01/08
APPROVED: AA		10/01/08	
MATERIAL		STAINLESS STEEL	

SCALE	SIZE	PART/DRAWING NO.	REV.
NONE	B	DOD-CG-MK15	A
MODEL CG-MK15		SHEET 1 OF 1	