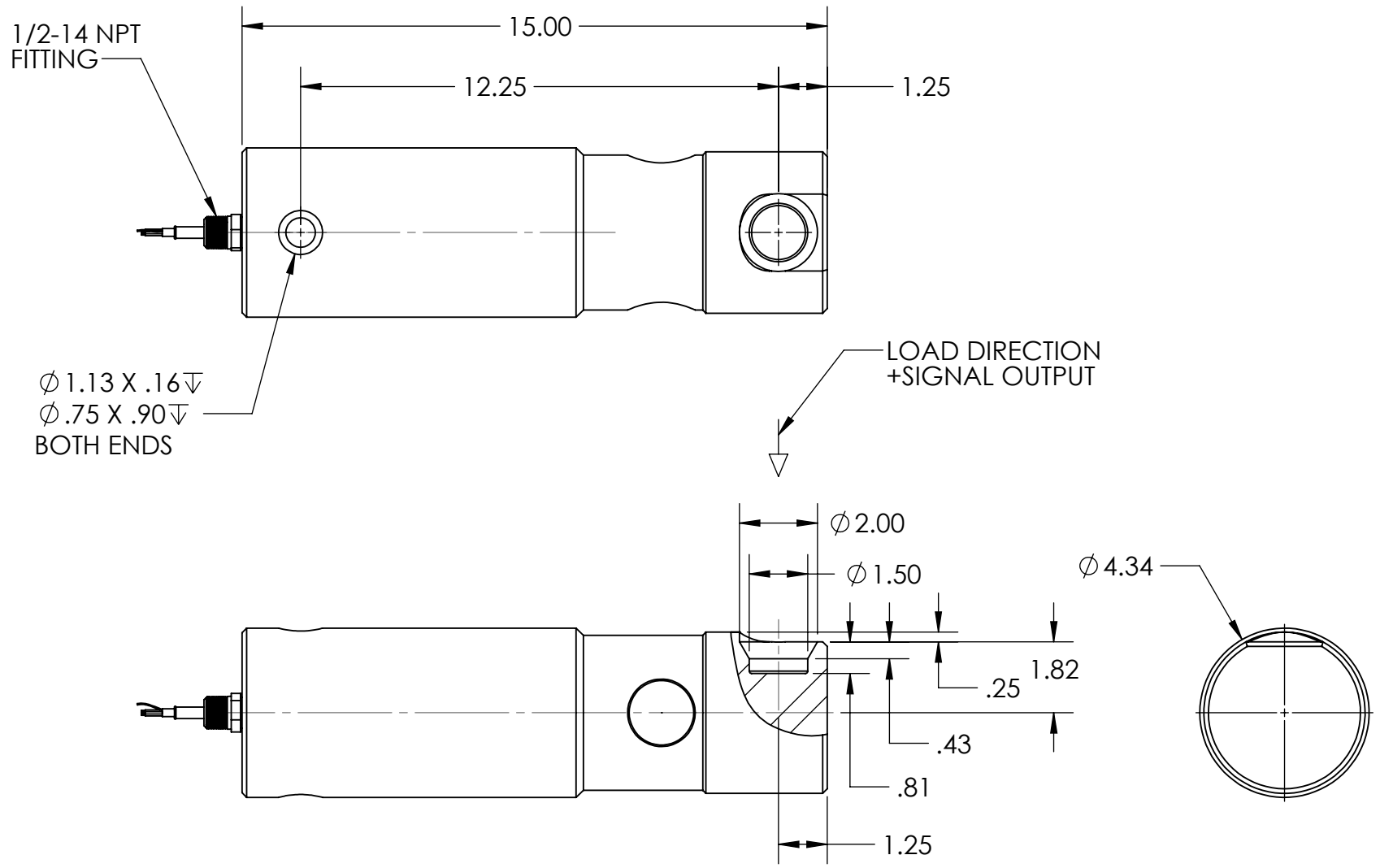


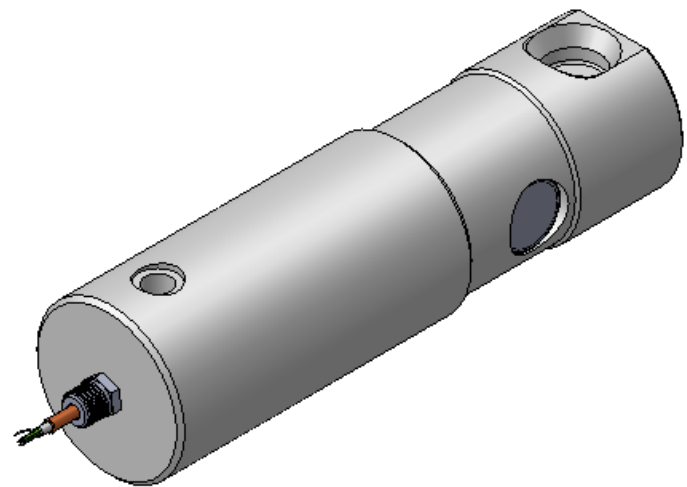
8 7 6 5 4 3 2 1

REVISIONS				
ZONE	REV.	DESCRIPTION	DATE	APPROVED
	D	REDRAWN TO NEW CAD SYSTEM, REMOVED DIM. TABLE DUE TO 1 CAP ONLY, ADDED DIM. ON LOADING HOLE, ADDED LOAD DIRECTION (+SIGNAL OUTPUT), RATED OUTPUT WAS: 3.0 ±0.1%	12/10/14	JSP

D
C
B
A



- PERFORMANCE SPECIFICATIONS:
1. RATED CAPACITY: 100K (lb)
 2. RATED OUTPUT: 1.8±0.25%
 3. SAFE OVERLOAD: 150%FS
 4. EXCITATION VOLTAGE: 10-20V AC/DC
 5. INPUT RESISTANCE: 385±10Ω
 6. OUTPUT RESISTANCE: 350±3Ω
 7. ZERO BALANCE: ±1.0%FS
 8. SEAL TYPE: ENVIRONMENTALLY SEALED.
 9. NON-LINEARITY: ±0.03%FS
 10. HYSTERESIS: ±0.03%FS
 11. REPEATABILITY: ±0.01%FS
 12. CREEP: ±0.02%FS(30 min.)
 13. COMPENSATED TEMPERATURE RANGE: -10°C TO +40°C
 14. TEMPERATURE EFFECT ON ZERO: ±0.00247%FS/°C
 15. TEMPERATURE EFFECT ON OUTPUT: ±0.0015%FS/°C
 16. INSULATION RESISTANCE: >5000 MEGOHMS AT 50VDC
 17. LOAD CELL CABLE 4-24AWG, 50FT
 18. LOAD CELL WIRING: GRN(+EXC), BLK(-EXC), WHT(+SIG), RED(-SIG), BRAID/YEL(SHIELD)
 19. FM APPROVED



PROPRIETARY AND CONFIDENTIAL
 THE INFORMATION CONTAINED IN THIS DRAWING IS THE SOLE PROPERTY OF Coti Global Sensors, Inc. ANY REPRODUCTION IN PART OR AS A WHOLE WITHOUT THE WRITTEN PERMISSION OF Coti Global Sensors, Inc. IS PROHIBITED.

UNLESS OTHERWISE SPECIFIED:				DO NOT ALTER WITHOUT AGENCY NOTIFICATION	
DIMENSIONS ARE IN INCHES		DRAWN	JSP	12/10/14	Coti Global Sensors, Inc.
TOLERANCES:		CHECKED	AA	12/10/14	
FRACTIONAL ±		ENG APPR.	JSP	12/10/14	
ANGULAR: MACH ± BEND ±		MFG APPR.			
TWO PLACE DECIMAL ±.010		Q.A.			TITLE: SINGLE ENDED BEAM CG-F1-100K
THREE PLACE DECIMAL ±.005		COMMENTS:			
INTERPRET GEOMETRIC TOLERANCING PER: ANSI 14.5Y					SIZE B
MATERIAL		ALLOY STEEL			DWG. NO. DOD-CG-F1
FINISH		PLATED			REV D
NEXT ASSY	USED ON				SCALE: 1:4
APPLICATION		DO NOT SCALE DRAWING			WEIGHT:
					SHEET 1 OF 1

8 7 6 5 4 3 2 1