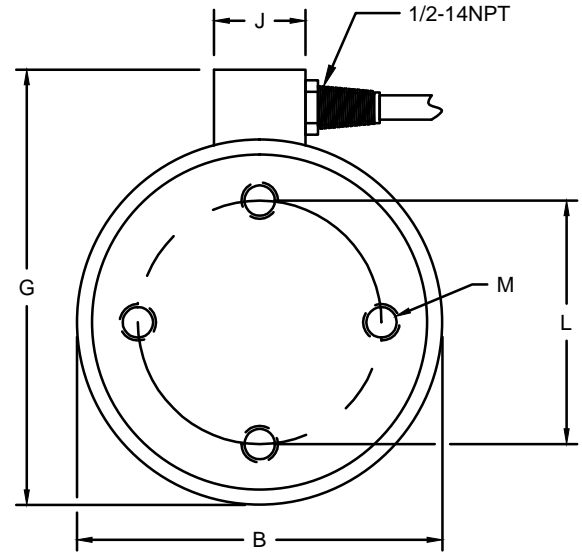
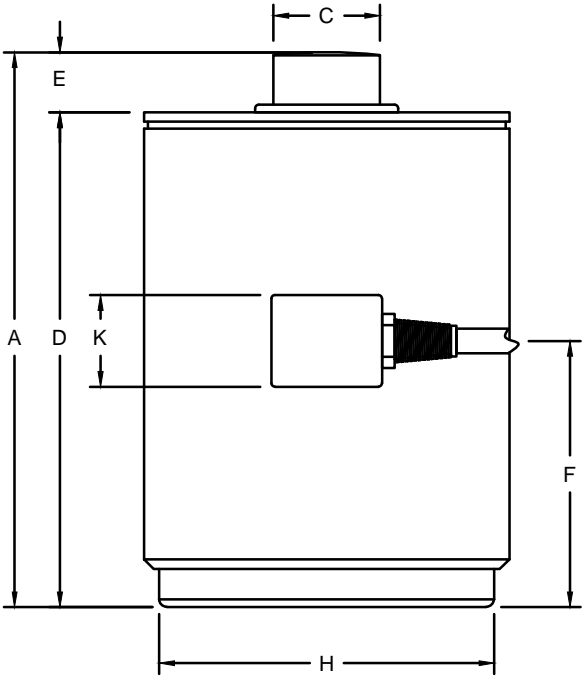


REVISIONS							
ZONE	LTR.	DESCRIPTION	DATE	ECN	BY	CKD	APVD
-	B	REDRAWN FOR CATALOG; REASSIGNED LETTERED DIMS. ADDED C, G, H & J	05/07/15	2015-31	RLU	JSP	AA



BOTTOM VIEW

PERFORMANCE SPECIFICATIONS:

1. CAPACITIES: 5K, 10K, 15K, 20K & 50K. (LB).
2. RATED OUTPUT: 2.00 mV/V $\pm 0.25\%$.
3. SAFE OVERLOAD: 150% FS.
4. EXCITATION VOLTAGE: 10V AC/DC (15V MAX).
5. INPUT RESISTANCE: 260 $\pm 10\Omega$.
6. OUTPUT RESISTANCE: 240 $\pm 5\Omega$.
7. ZERO BALANCE: $\pm 1.00\%$ FS.
8. SEAL TYPE: HERMETICALLY SEALED IP67.
9. NON-LINEARITY: $\pm 0.05\%$ FS.
10. HYSTERESIS: $\pm 0.03\%$ FS.
11. REPEATABILITY: $\pm 0.01\%$ FS.
12. CREEP: $\pm 0.03\%$ FS IN 30 MINUTES.
13. COMPENSATED TEMPERATURE RANGE: -10°C TO $+40^{\circ}\text{C}$.
14. TEMPERATURE EFFECT ON ZERO: $\pm 0.0027\%$ FS/ $^{\circ}\text{C}$.
15. TEMPERATURE EFFECT ON OUTPUT: $\pm 0.0015\%$ FS/ $^{\circ}\text{C}$.
16. INSULATION RESISTANCE: 5000 MEGOHMS.
17. LOAD CELL CABLE: 4-24AWG, $\varnothing 5.6\text{MM}$, PVC, 50FT.
18. LOAD CELL WIRING:
 GRN (+EXC)
 BLK (-EXC)
 WHT (+SIG)
 RED (-SIG)
 YELLOW: SHIELD
19. FM APPROVED.

RATED CAPACITY	DIMENSIONS											
	A	B	C	D	E	F	G	H	J	K	L	M
5K - 10K	5.31	4.00	1.00	4.71	0.76	2.94	5.14	3.43	1.57	1.57	2.38	3/8-24UNFx0.62 DEEP
15K - 50K	7.12	4.50	1.25	6.30	0.95	3.26	5.65	3.82	1.97	1.97	2.38	3/8-24UNFx0.62 DEEP

DO NOT ALTER WITHOUT AGENCY NOTIFICATION
COTI GLOBAL SENSORS, INC.

CG - CP22
CANISTER LOAD CELL

	APPROVALS		DATE
	DRAWN: RLU		05/07/15
	CHECKED: AA		05/07/15
	ENGINEER: JSP		05/07/15
APPROVED: AA			05/07/15
MATERIAL: STAINLESS STEEL			
FINISH: PASSIVATED			
SCALE: NONE		SIZE: B	PART/DRAWING NO. DOD-CG-CP22
MODEL: CG-CP22		SHEET: 1 OF 1	

THIS DRAWING USES THIRD ANGLE PROJECTION

THIS DOCUMENT CONTAINS PROPRIETARY INFORMATION AND SUCH INFORMATION MAY NOT BE REPRODUCED OR DISCLOSED FOR ANY PURPOSE OR USED TO PRODUCE THE ARTICLE OR SUBJECT WITHOUT WRITTEN PERMISSION FROM COTI GLOBAL SENSORS, INC.

TOLERANCES UNLESS OTHERWISE SPECIFIED
 .XX = ± 0.02 "
 .XXX = ± 0.005 "
 .XXXX = ± 0.0002 "
 FRACTIONS: $\pm 1/16$ "
 ANGLES DEG: $\pm 1/8$