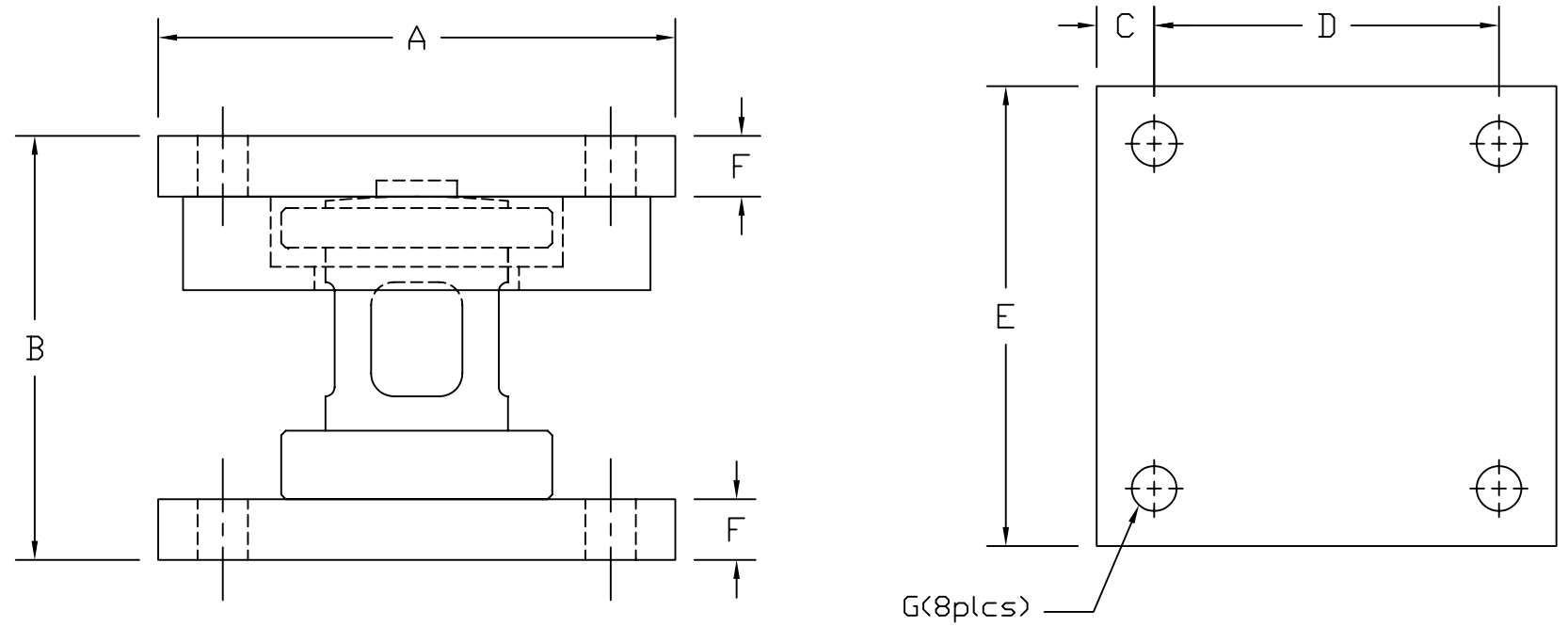


REVISIONS							
ZONE	LTR.	DESCRIPTION	DATE	ECN	BY	CKD	APVD
-	-	INITIAL RELEASE	10/01/08	-	-	-	-



- PERFORMANCE SPECIFICATIONS:**
- CAPACITIES: 50K, 100K, 200K, 300K, & 500K LB
 - SAFE OVERLOAD: 150% FS
 - FULL SCALE OUTPUT: 2.00 mV/V
 - EXCITATION VOLTAGE: 10-15V AC/DC
 - LOAD CELL RESISTANCE: 350 OHMS
 - LOAD CELL CABLE: 4 CONDUCTOR, 50 FT (BRAIDED SHIELD)
 - OPERATING TEMPERATURE RANGE: -20°C - +60°C
 - MATERIAL
 LOAD CELL: ALLOY STEEL (NICKEL PLATED) OR STAINLESS STEEL
 ASSEMBLY: MILD STEEL OR STAINLESS STEEL

RATED CAPACITY	DIMENSIONS									
	A	B	C	D	E	F	G			
50K	8.00	5.13	1.00	6.00	8.00	0.94	0.78			
100K	10.00	7.38	1.25	7.50	10.00	1.19	1.12			
200K	12.00	9.50	1.75	8.50	12.00	1.44	1.63			
300K	14.00	11.00	2.25	9.50	14.00	1.94	1.63			
500K	17.00	12.62	2.50	12.00	17.00	2.44	2.13			

DO NOT ALTER WITHOUT AGENCY NOTIFICATION

COTI GLOBAL SENSORS, INC.

**CG-94M
TANK MOUNT**

	THIS DRAWING USES THIRD ANGLE PROJECTION	APPROVALS	DATE
		DRAWN: MTSI	10/01/08
THIS DOCUMENT CONTAINS PROPRIETARY INFORMATION AND SUCH INFORMATION MAY NOT BE REPRODUCED OR DISCLOSED FOR ANY PURPOSE OR USED TO PRODUCE THE ARTICLE OR SUBJECT WITHOUT WRITTEN PERMISSION FROM COTI GLOBAL SENSORS, INC.	TOLERANCES UNLESS OTHERWISE SPECIFIED .XX-±.01 .XXX-±.005 FRACTIONS-±1/16" ANGLES: ±1/2"	CHECKED: MB	10/01/08
		ENGINEER: AA	10/01/08
		APPROVED: AA	10/01/08
MATERIAL		SEE NOTES	

SCALE	SIZE	PART/DRAWING NO.	REV.
NONE	B	DOD-CG-94M	-
MODEL CG-94M		SHEET 1 OF 1	