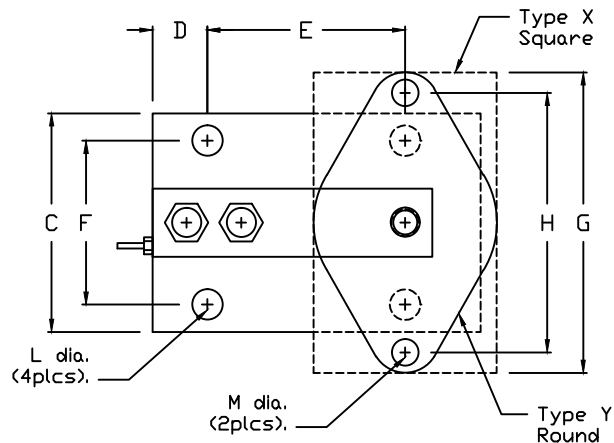
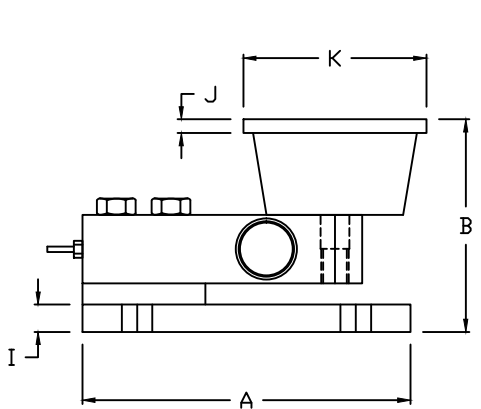


REVISIONS							
ZONE	LTR.	DESCRIPTION	DATE	ECN	BY	CKD	APVD
-	-	INITIAL RELEASE	10/01/08	-	-	-	-
-	-	MOUNTING HOLE DIAMETER	10/19/11	-	-	-	-



- PERFORMANCE SPECIFICATIONS:**
1. CAPACITIES: 25LB, 50LB, 75LB, 100LB, 150LB, 250LB, 500LB, 1K, 1.5K, 2K, 2.5K, 4K, & 5KSE LB
 2. SAFE OVERLOAD: 150% FS
 3. FULL SCALE OUTPUT: 3.00 mV/V
 4. EXCITATION VOLTAGE: 10-15V AC/DC
 5. LOAD CELL RESISTANCE: 350 OHMS
 6. LOAD CELL CABLE: 4 CONDUCTOR, 20 FT
 7. OPERATING TEMPERATURE RANGE: -20°C - +60°C
 8. MATERIAL
LOAD CELL: ALLOY STEEL (NICKEL PLATED) OR STAINLESS STEEL
ASSEMBLY: STAINLESS STEEL

RATED CAPACITY	DIMENSIONS													TYPE
	A	B	C	D	E	F	G	H	I	J	K	L	L	
25LB-250LB	4.00	3.13	3.00	0.37	3.25	2.25	3.88	3.00	0.50	0.22	2.38	0.34	0.34	Y
500LB	6.00	3.88	4.00	1.00	4.00	3.00	5.50	4.13	0.50	0.25	3.38	0.44	0.56	Y
1K	6.00	4.00	4.00	1.00	4.00	3.00	5.13	4.13	0.50	0.25	3.00	0.44	0.44	X
1.5K-2.5K	6.00	4.00	4.00	1.00	4.00	3.00	6.25	5.00	0.50	0.38	4.62	0.44	0.44	X
4K-5KSE	6.00	4.50	4.00	1.00	4.00	3.00	6.25	5.00	1.00	0.38	4.62	0.47	0.56	X

DO NOT ALTER WITHOUT AGENCY NOTIFICATION

COTI GLOBAL SENSORS, INC.

**CG-59M
TANK MOUNT**

SCALE	SIZE	PART/DRAWING NO.	REV.
NONE	B	DOD-CG-59M	A
MODEL	CG-59M	SHEET	1 OF 1

<p>THIS DRAWING USES THIRD ANGLE PROJECTION</p>	<p>TOLERANCES UNLESS OTHERWISE SPECIFIED</p> <p>BY THE BUYER</p> <p>UNLESS OTHERWISE SPECIFIED</p> <p>PERMISSION FROM COTI GLOBAL SENSORS, INC.</p>	APPROVALS	DATE
		DRAWN: DMH	10/19/11
		CHECKED: MB	10/19/11
		ENGINEER: DMH	10/19/11
APPROVED: AA	10/19/11	MATERIAL	SEE NOTES