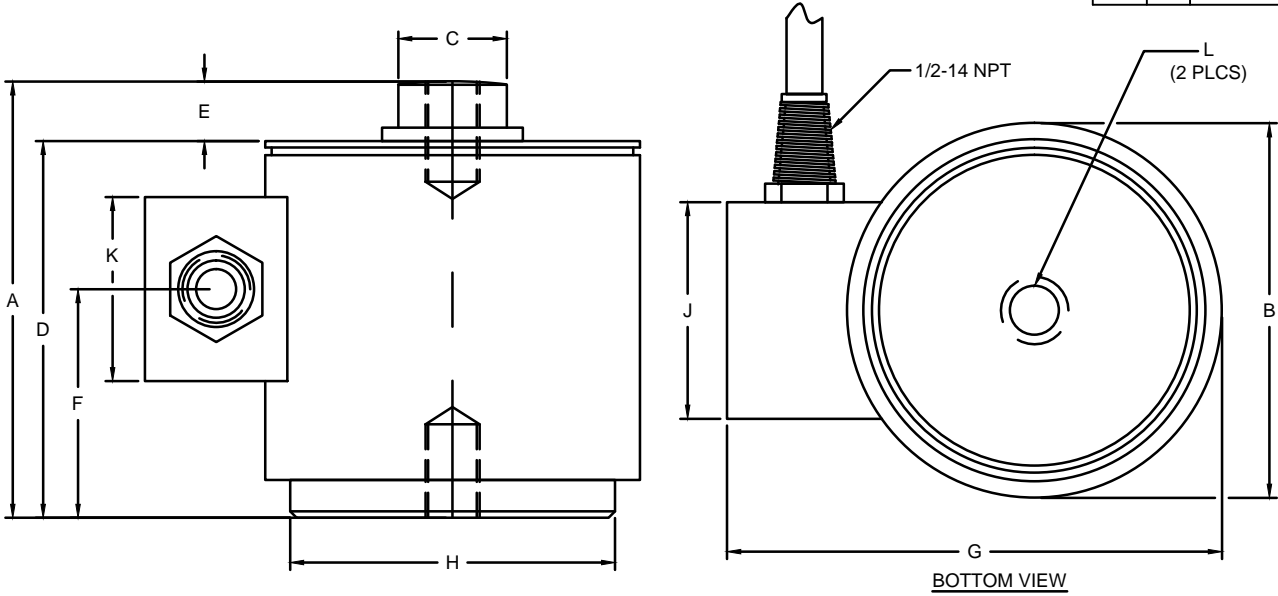


		REVISIONS						
ZONE	LTR.	DESCRIPTION	DATE	ECN	BY	CKD	APVD	
-	B	REDRAWN FOR CATALOG	5/26/15	2015-41	RLU	JSP	AA	
-	C	REDRAWN FOR LABELING CONSISTENCY	01/20/16	2016-07	TB	AB	AA	



- PERFORMANCE SPECIFICATIONS:**
- CAPACITIES: 500LB, 1K, 2.5K, 5K, 10K, 25K, 50K, 100K. (LB).
  - RATED OUTPUT: 3.00mV/V ±0.25%.
  - SAFE OVERLOAD: 150% FS.
  - EXCITATION VOLTAGE: 10V AC/DC (15V MAX).
  - INPUT RESISTANCE: 350 ±3.5Ω.
  - OUTPUT RESISTANCE: 350 ±3.5Ω.
  - ZERO BALANCE: ±1.00% FS.
  - SEAL TYPE: HERMETICALLY SEALED IP67.
  - NON-LINEARITY: ±0.03% FS.
  - HYSTERESIS: ±0.02% FS.
  - REPEATABILITY: ±0.02% FS.
  - CREEP: ±0.03% FS IN 30 MINUTES.
  - COMPENSATED TEMPERATURE RANGE: -10°C TO +40°C.
  - TEMPERATURE EFFECT ON ZERO: ±0.0027% FS/°C.
  - TEMPERATURE EFFECT ON OUTPUT: ±0.0015% FS/°C.
  - INSULATION RESISTANCE: 5000 MEGOHMS.
  - LOAD CELL CABLE: 4-24AWG, Ø5.6MM, PVC, 30FT.
  - LOAD CELL WIRING:
 

GRN (+EXC)	GRN (+EXC)
BLK (-EXC)	BLK (-EXC)
WHT (+SIG)	RED (+SIG)
RED (-SIG)	WHT (-SIG)
YELLOW: SHIELD	YELLOW: SHIELD
COMPRESSION + SIGNAL.	TENSION + SIGNAL
  - FM APPROVED.

RATED CAPACITY	DIMENSIONS										
	A	B	C	D	E	F	G	H	J	K	L
500LB-1K	4.44	2.56	0.75	4.19	0.41	2.58	3.69	2.07	1.57	1.57	1/2-20 UNF x 0.625 DEEP
2.5K	3.00	2.50	0.74	2.55	0.45	1.30	3.65	2.05	1.57	1.57	1/2-20 UNF x 0.50 DEEP
5K - 10K	5.75	2.94	1.34	5.25	0.50	2.77	4.08	2.50	1.57	1.57	1-14 UNF x 1.25 DEEP
25K	8.38	4.00	2.14	7.96	0.42	4.16	5.06	3.54	1.97	1.97	1-1/2-12 UNF x 1.75 DEEP
50K	11.44	6.37	2.95	10.58	0.86	5.75	7.50	5.79	1.97	1.97	2-12 UNF x 2.625 DEEP
100K	17.50	8.54	3.86	15.50	2.00	8.02	9.63	7.68	2.36	2.36	3-8 UNF x 3.50 DEEP

**DO NOT ALTER WITHOUT AGENCY NOTIFICATION**

COTI GLOBAL SENSORS, INC.

**CG - 33  
CANISTER LOAD CELL**

<p>THIS DOCUMENT CONTAINS PROPRIETARY INFORMATION AND SUCH INFORMATION MAY NOT BE REPRODUCED OR DISCLOSED FOR ANY PURPOSE OR USED TO PRODUCE THE ARTICLE OR SUBJECT WITHOUT WRITTEN PERMISSION FROM COTI GLOBAL SENSORS, INC.</p> <p>TOLERANCES UNLESS OTHERWISE SPECIFIED          .XX = ±0.02"          .XXX = ±0.005"          .XXXX = ±0.0002"          FRACTIONS: ±1/16"          ANGLES DEC: ±1°</p>	APPROVALS		DATE	SCALE	SIZE	PART/DRAWING NO.	REV.
	DRAWN:	RLU	05/26/15				
	CHECKED:	AA	05/26/15				
	ENGINEER:	JSP	05/26/15				
	APPROVED:	AA	05/26/15				
MATERIAL:	STAINLESS STEEL		NONE	B	DOD-CG-33	C	
FINISH:	PASSIVATED		MODEL	CG-33		SHEET	1 OF 1