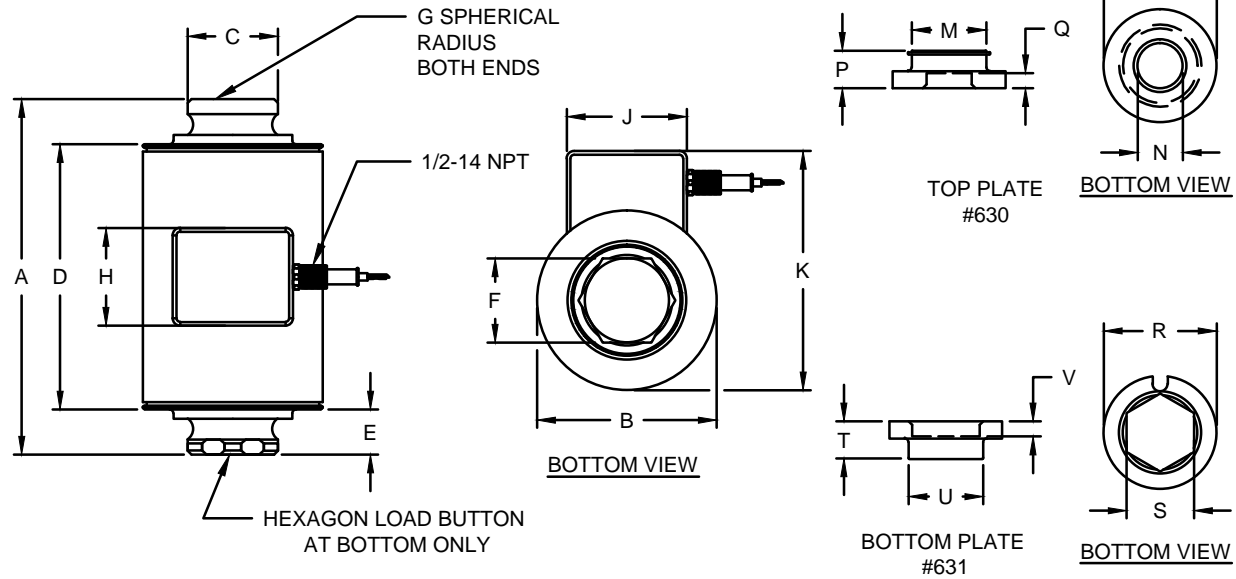


REVISIONS								
ZONE	LTR.	DESCRIPTION	DATE	ECN	BY	CKD	APVD	
-	F	CLEAN UP AND REDRAWN FOR CATALOG	05/21/15	2015-35	RLU	JSP	AA	
-	G	REDRAWN FOR LABELING CONSISTENCY	01/20/16	2016-06	TB	AB	AA	



**PERFORMANCE SPECIFICATIONS:**

- CAPACITIES: 20t, 30t, 30t-797, 50t-797, 50t, 100t.
- RATED OUTPUT: 2.00 mV/V  $\pm 0.25\%$ .
- SAFE OVERLOAD: 150% FS.
- EXCITATION VOLTAGE: 10V AC/DC (15V MAX).
- INPUT RESISTANCE: 1160  $\pm 10\Omega$ .
- OUTPUT RESISTANCE: 1000  $\pm 5\Omega$ .
- ZERO BALANCE:  $\pm 1.00\%$  FS.
- SEAL TYPE: HERMETICALLY SEALED IP67.
- NON-LINEARITY:  $\pm 0.03\%$  FS.
- HYSTERESIS:  $\pm 0.02\%$  FS.
- REPEATABILITY:  $\pm 0.01\%$  FS.
- CREEP:  $\pm 0.02\%$  FS IN 30 MINUTES.
- NTEP RATED.
- CLASS III, 10,000 DIVISION, MULTIPLE CELL.
- COMPENSATED TEMPERATURE RANGE: 0°C - 30°C.
- TEMPERATURE EFFECT ON ZERO:  $\pm 0.0027\%$  FS/°C.
- TEMPERATURE EFFECT ON OUTPUT:  $\pm 0.0015\%$  FS/°C.
- INSULATION RESISTANCE: 5000 MEGOHMS.
- LOAD CELL CABLE: 4-22AWG,  $\varnothing 6.8\text{MM}$ , BRAIDED, 50FT.
- LOAD CELL WIRING:  
GRN (+EXC)  
BLK (-EXC)  
WHT (+SIG)  
RED (-SIG)  
BRAID/YELLOW: SHIELD
- FM APPROVED.

RATED CAPACITY	DIMENSIONS																			
	A	B	C	D	E	F	G	H	J	K	L	M	N	P	Q	R	S	T	U	V
20t - 30t	5.91	2.99	1.49	4.10	0.75	1.40	6.30	1.57	1.97	1.12	3.75	2.48	1.50	1.25	0.50	3.75	1.42	1.25	2.48	0.50
30t-797	7.97	2.99	1.49	6.17	0.75	1.40	12.00	1.57	1.97	4.12	3.75	2.48	1.50	1.25	0.50	3.75	1.42	1.25	2.48	0.50
50t	5.91	2.99	1.49	4.10	0.75	1.40	12.00	1.57	1.97	4.12	3.75	2.48	1.50	1.25	0.50	3.75	1.42	1.25	2.48	0.50
50t-797	7.97	2.99	1.49	6.17	0.75	1.40	12.00	1.57	1.97	4.12	3.75	2.48	1.50	1.25	0.50	3.75	1.42	1.25	2.48	0.50
100t	5.91	4.02	2.12	4.10	0.75	1.99	12.00	1.57	1.97	5.10	-	-	-	-	-	-	-	-	-	-

DO NOT ALTER WITHOUT AGENCY NOTIFICATION  
COTI GLOBAL SENSORS, INC.

CG -26S7  
NTEP LOAD CELL  
SCALE: NONE SIZE: B PART/DRAWING NO: DOD-CG-26S7 REV: G  
MODEL: CG-26S7 SHEET: 1 OF 1

APPROVALS: DRAWN: RLU 05/21/15, CHECKED: JSP 05/21/15, ENGINEER: JSP 05/21/15, APPROVED: AA 05/21/15  
MATERIAL: STAINLESS STEEL  
FINISH: PASSIVATED

THIS DOCUMENT CONTAINS PROPRIETARY INFORMATION AND SUCH INFORMATION MAY NOT BE REPRODUCED OR DISCLOSED FOR ANY PURPOSE OR USED TO PRODUCE THE ARTICLE OR SUBJECT WITHOUT WRITTEN PERMISSION FROM COTI GLOBAL SENSORS, INC.

TOLERANCES UNLESS OTHERWISE SPECIFIED  
XX =  $\pm 0.02$ "  
XXX =  $\pm 0.005$ "  
XXXX =  $\pm 0.0002$ "  
FRACTIONS:  $\pm 1/16$ "  
ANGLES DEG:  $\pm 1/8$