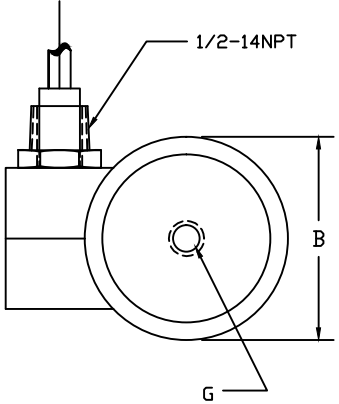
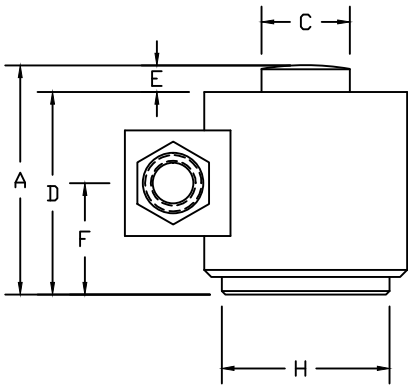


REVISIONS							
ZONE	LTR.	DESCRIPTION	DATE	ECN	BY	CKD	APVD
-	-	INITIAL RELEASE	10/01/08	-	-	-	-
-	-	Added Dimension "H"	3/11/10	-	-	-	-



PERFORMANCE SPECIFICATIONS:

- CAPACITIES: 10K, 25K, 50K, 100K, 200K, 300K & 500K
- RATED OUTPUT: 1.75 mV/V
- SAFE OVERLOAD: 150% FS
- EXCITATION VOLTAGE: 10-20V AC/DC
- INPUT RESISTANCE: 450 ±10 OHMS
- OUTPUT RESISTANCE: 480 ±5 OHMS
- ZERO BALANCE: ±1.00% FS
- SEAL TYPE: HERMETICALLY SEALED, IP68
- NON-LINEARITY: ±0.05% FS
- HYSTERESIS: ±0.03% FS
- REPEATABILITY: ±0.01% FS
- CREEP: ±0.03% FS
- COMPENSATED TEMPERATURE RANGE: -10°C - +40°C
- TEMPERATURE EFFECT ON ZERO: ±0.0027%FS/°C
- TEMPERATURE EFFECT ON OUTPUT: ±0.0015%FS/°C
- INSULATION RESISTANCE: >5000 MEGOHMS
- LOAD CELL CABLE: 4 CONDUCTOR BRAIDED, 50 FT
- LOAD CELL WIRING:
 - GREEN +EXC
 - BLACK -EXC
 - WHITE +SIG
 - RED -SIG
 - BRAID/YELLOW: SHIELD
- FM APPROVED

RATED CAPACITY	DIMENSIONS							
	A	B	C	D	E	F	G	H
10K-50K	3.25	2.88	1.25	2.85	0.40	1.58	1/2-20UNF x.31deep	2.28
100K	5.00	4.12	2.31	4.49	0.51	2.45	3/4-16UNF x.56deep	3.25
200K-300K	7.25	6.00	3.13	6.18	1.04	3.65	3/4-16UNF x.75deep	4.88
500K	9.00	6.50	3.69	8.36	0.56	4.81	3/4-16UNF x.75deep	5.37

"DO NOT ALTER WITHOUT AGENCY NOTIFICATION"

COTI GLOBAL SENSORS, INC.

CG-175 COMPRESSION CANISTER LOAD CELL

SCALE	SIZE	PART/DRAWING NO.	REV.
NONE	B	DOD-CG-175	B
MODEL	CG-175	SHEET 1 OF 1	

<p>THIS DRAWING USES THIRD ANGLE PROJECTION</p>	<p>TOLERANCES UNLESS OTHERWISE SPECIFIED</p> <p>BY Y&B DEF</p> <p>0.000/0.012 FRA</p> <p>0.000/0.012 FRA</p>	APPROVALS	DATE
		DRAWN: DH	3/11/10
		CHECKED: MB	3/11/10
		ENGINEER: DH	3/11/10
APPROVED: AA	3/11/10	MATERIAL	STAINLESS STEEL

THIS DOCUMENT CONTAINS PROPRIETARY INFORMATION AND SUCH INFORMATION MAY NOT BE REPRODUCED OR DISCLOSED FOR ANY PURPOSE OR USED TO PRODUCE THE ARTICLE OR SUBJECT WITHOUT WRITTEN PERMISSION FROM COTI GLOBAL SENSORS, INC.