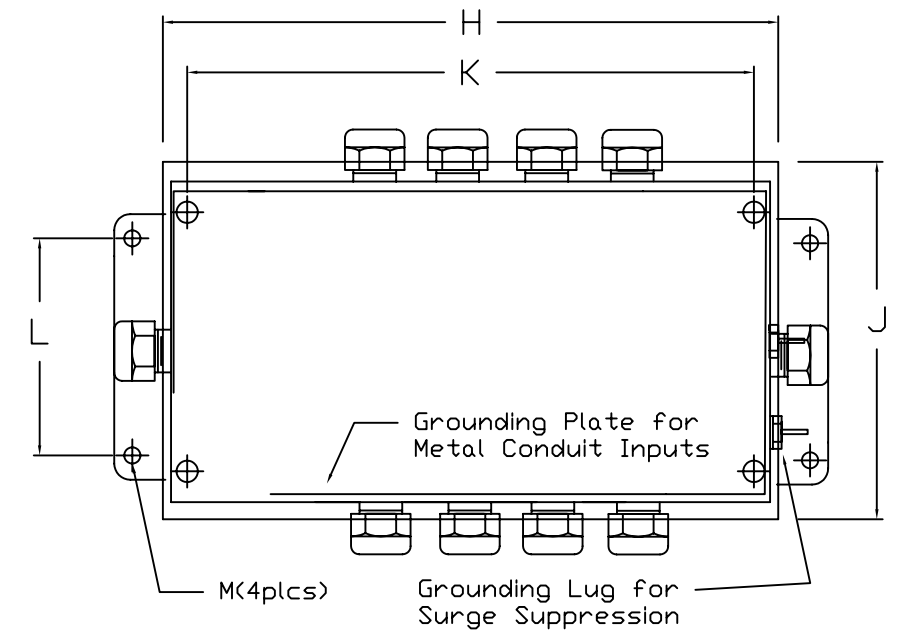
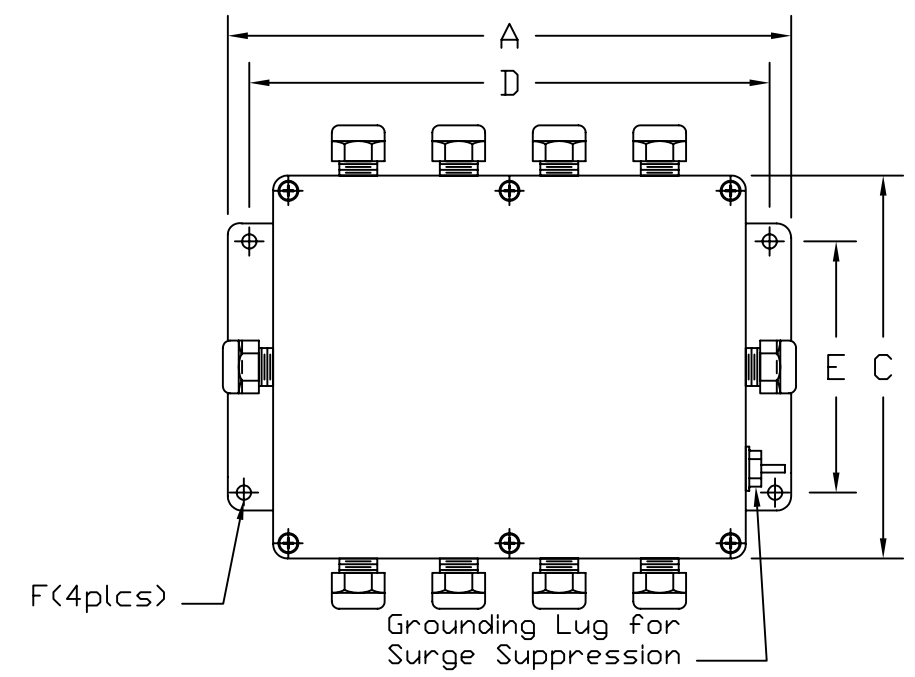
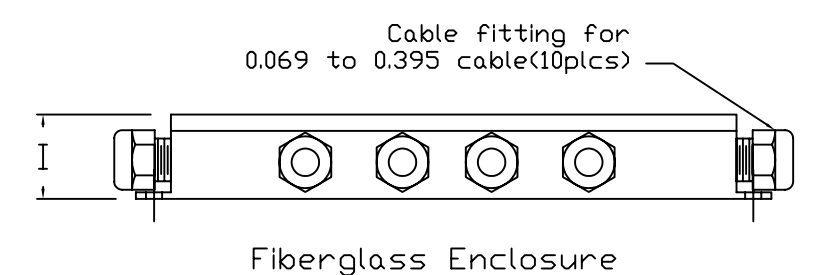
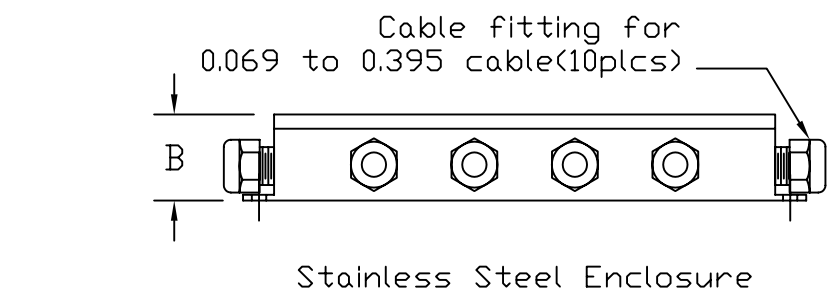


REVISIONS							
ZONE	LTR.	DESCRIPTION	DATE	ECN	BY	CKD	APVD
-	-	INITIAL RELEASE	10/01/08	-	-	-	-

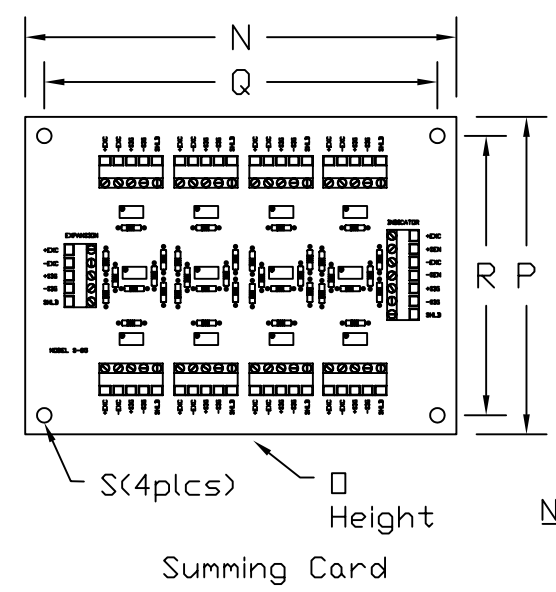


MODEL	PART NUMBER	DESCRIPTION
85	FP-85AS	MODEL 85 FIBERGLASS POLYESTER SUMMING BOX COMPLETE (SIGNAL TRIM)
	FP-85AS-SP	MODEL 85 FIBERGLASS POLYESTER SUMMING BOX COMPLETE (SIGNAL TRIM) W/SURGE PROTECTION
	FP-85AE	MODEL 85 FIBERGLASS POLYESTER SUMMING BOX COMPLETE (EXCITATION TRIM)
	FP-85AE-SP	MODEL 85 FIBERGLASS POLYESTER SUMMING BOX COMPLETE (EXCITATION TRIM) W/SURGE PROTECTION
	SS-85AS	MODEL 85 STAINLESS STEEL SUMMING BOX COMPLETE (SIGNAL TRIM)
	SS-85AS-SP	MODEL 85 STAINLESS STEEL SUMMING BOX COMPLETE (SIGNAL TRIM) W/SURGE PROTECTION
	SS-85AE	MODEL 85 STAINLESS STEEL SUMMING BOX COMPLETE (EXCITATION TRIM)
	SS-85AE-SP	MODEL 85 STAINLESS STEEL SUMMING BOX COMPLETE (EXCITATION TRIM) W/SURGE PROTECTION
PN 2000-52	GROUNDING PLATE FOR METAL CONDUIT INPUTS	



TECHNICAL SPECIFICATIONS:

- MODEL: 85
- NUMBER OF LOAD CELL INPUTS: 8
- LOAD CELL TRIM RANGE: SIGNAL TRIM
350 OHM LOAD CELLS: 3%
700 OHM LOAD CELLS: 5%
- LOAD CELL TRIM RANGE: EXCITATION TRIM
350 OHM LOAD CELLS: 5%
700 OHM LOAD CELLS: 7%
- LIQUID TIGHT STRAIN RELIEFS: 10
- STRAIN RELIEF CABLE RANGE: 0.069 TO 0.395 INCHES
- ALL CONNECTIONS VIA SCREW TERMINAL BLOCKS



85	DIMENSIONS					
	A	B	C	D	E	F
STAINLESS STEEL	9.81	1.87	6.50	9.00	4.37	0.25
FIBERGLASS	8.50	2.00	7.35	8.95	4.35	0.30
SUMMING CARD	N	Q	P	Q	R	S

NOTES:
INSTALL OPTIONAL GROUNDING PLATE FOR CONDUIT INPUTS.

	THIS DRAWING USES THIRD ANGLE PROJECTION	APPROVALS	DATE
		DRAWN: MTSI	10/01/08
THIS DOCUMENT CONTAINS PROPRIETARY INFORMATION AND SUCH INFORMATION MAY NOT BE REPRODUCED OR DISCLOSED FOR ANY PURPOSE OR USED TO PRODUCE THE ARTICLE OR SUBJECT WITHOUT WRITTEN PERMISSION FROM COTI GLOBAL SENSORS, INC.	TOLERANCES UNLESS OTHERWISE SPECIFIED .XX-±.01 .XXX-±.005 FRACTIONS-±1/16" ANGLES: ±1/2"	CHECKED: MB	10/01/08
		ENGINEER: AA	10/01/08
		APPROVED: AA	10/01/08
MATERIAL		STAINLESS STEEL FIBERGLASS POLYESTER	

DO NOT ALTER WITHOUT AGENCY NOTIFICATION

COTI GLOBAL SENSORS, INC.

MODEL 85 8 CHANNEL SUMMING JUNCTION BOX

SCALE	SIZE	PART/DRAWING NO.	REV.
NONE	B	DOD-85	-
MODEL 85		SHEET 1 OF 1	