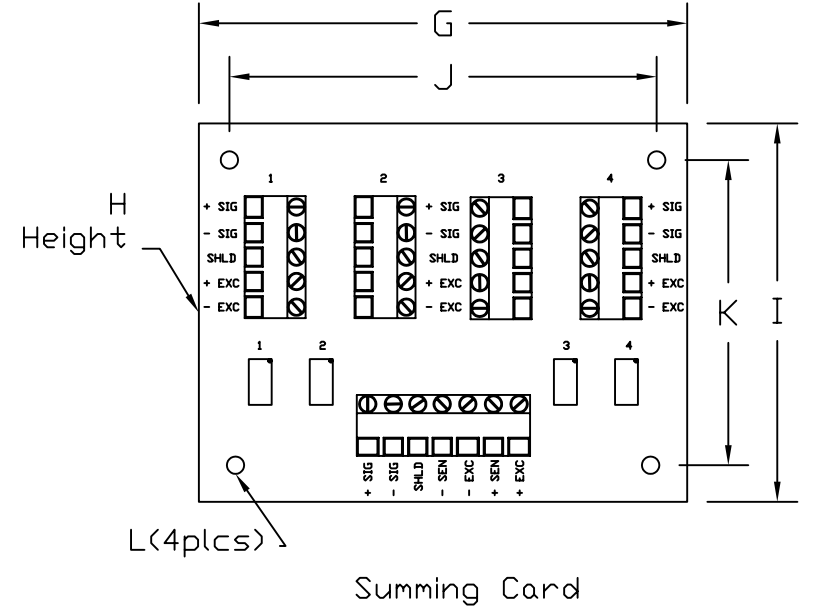
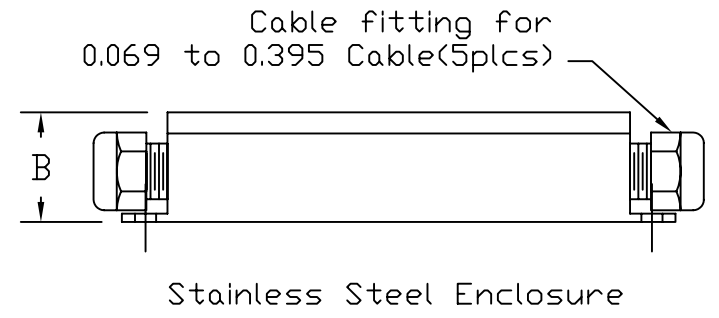
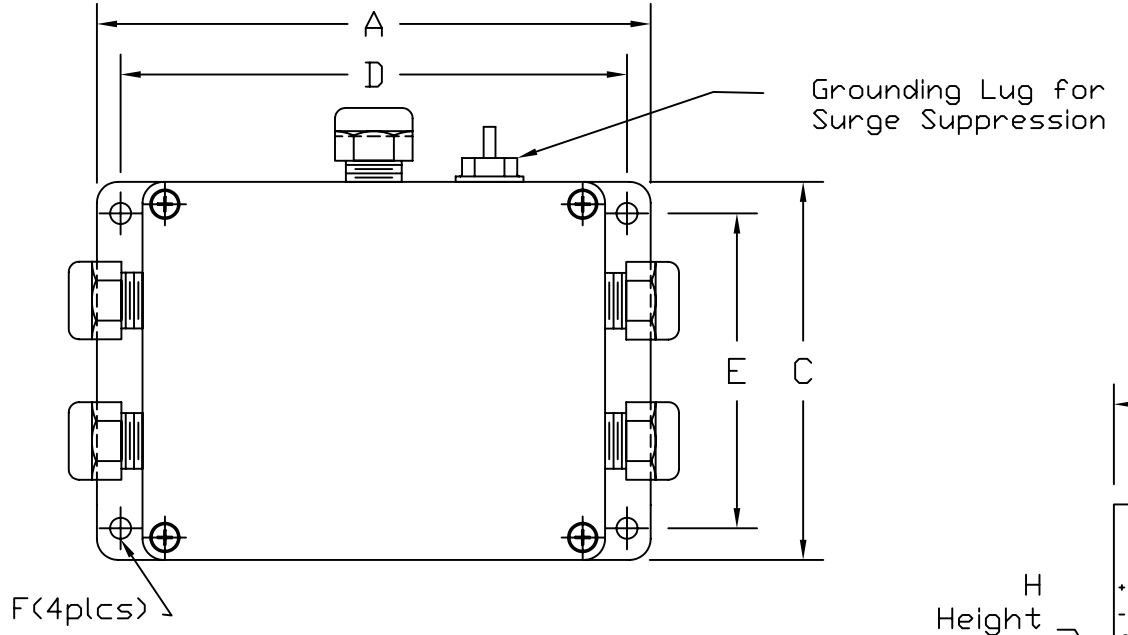


| REVISIONS | | | | | | | |
|-----------|------|-----------------|----------|-----|----|-----|------|
| ZONE | LTR. | DESCRIPTION | DATE | ECN | BY | CKD | APVD |
| - | - | INITIAL RELEASE | 10/01/08 | - | - | - | - |



| MODEL | PART NUMBER | DESCRIPTION |
|-------|-------------|---|
| 34 | SS-34AS | MODEL 34 STAINLESS STEEL SUMMING BOX COMPLETE (SIGNAL TRIM) |
| | SS-34AE | MODEL 34 STAINLESS STEEL SUMMING BOX COMPLETE (EXCITATION TRIM) |

TECHNICAL SPECIFICATIONS:

- MODEL: 34
- NUMBER OF LOAD CELL INPUTS: 4
- LOAD CELL TRIM RANGE: SIGNAL TRIM
350 OHM LOAD CELLS: 3%
700 OHM LOAD CELLS: 5%
- LOAD CELL TRIM RANGE: EXCITATION TRIM
350 OHM LOAD CELLS: 5%
700 OHM LOAD CELLS: 7%
- LIQUID TIGHT STRAIN RELIEFS: 5
- STRAIN RELIEF CABLE RANGE: 0.069 TO 0.395 INCHES
- ALL CONNECTIONS VIA SCREW TERMINAL BLOCKS

| 34 | DIMENSIONS | | | | | |
|-----------------|------------|------|------|------|------|------|
| | A | B | C | D | E | F |
| STAINLESS STEEL | 7.00 | 1.55 | 4.48 | 6.50 | 3.73 | 0.28 |
| SUMMING CARD | G | H | I | J | K | L |
| | 4.00 | 0.75 | 3.10 | 3.50 | 2.50 | 0.14 |

DO NOT ALTER WITHOUT AGENCY NOTIFICATION

COTI GLOBAL SENSORS, INC.

MODEL 34 4 CHANNEL SUMMING JUNCTION BOX

| | | | |
|--|--|--|--|
| | THIS DRAWING USES THIRD ANGLE PROJECTION | APPROVALS | DATE |
| | | DRAWN: MTSI CHECKED: MB ENGINEER: AA APPROVED: AA | 10/01/08 10/01/08 10/01/08 10/01/08 |
| THIS DOCUMENT CONTAINS PROPRIETARY INFORMATION AND SUCH INFORMATION MAY NOT BE REPRODUCED OR DISCLOSED FOR ANY PURPOSE OR USED TO PRODUCE THE ARTICLE OR SUBJECT WITHOUT WRITTEN PERMISSION FROM COTI GLOBAL SENSORS, INC. | | MATERIAL STAINLESS STEEL | |
| TOLERANCES UNLESS OTHERWISE SPECIFIED .XX±.01 .XXX±.005 FRACTIONS±1/16" ANGLES: ±1/2" | | SCALE NONE SIZE B PART/DRAWING NO. DOD-34 REV. - | |

| | | | |
|----------|-------|------------------|------|
| SCALE | SHEET | PART/DRAWING NO. | REV. |
| NONE | B | DOD-34 | - |
| MODEL 34 | | SHEET 1 OF 1 | |